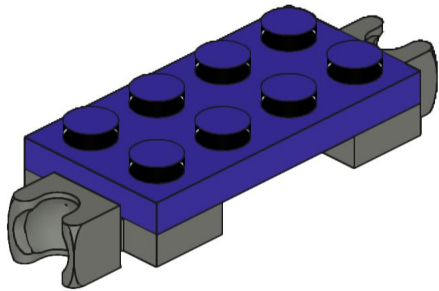
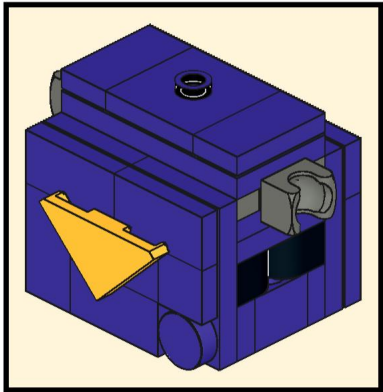
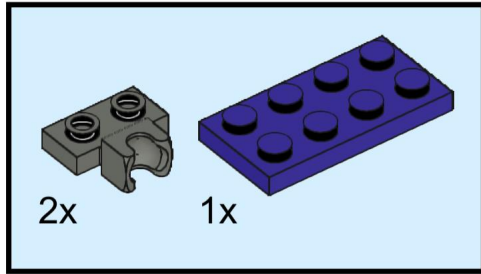




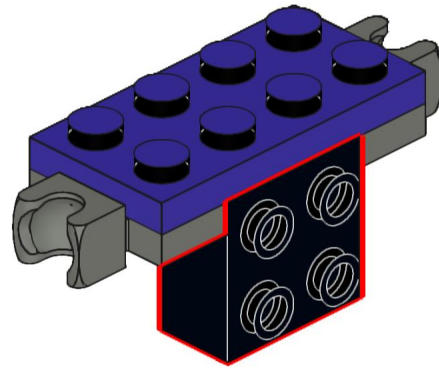
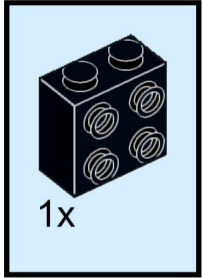
# CLOORG BOT

100 pcs

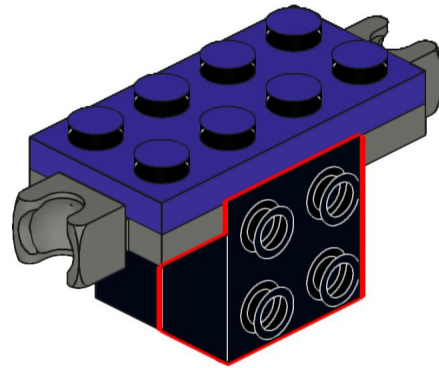
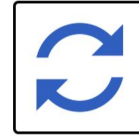
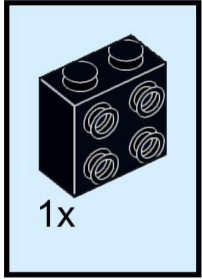
1



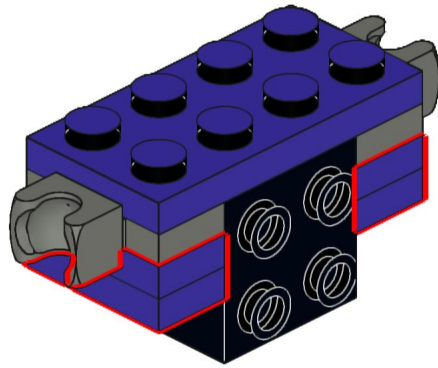
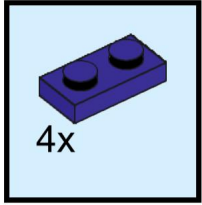
2



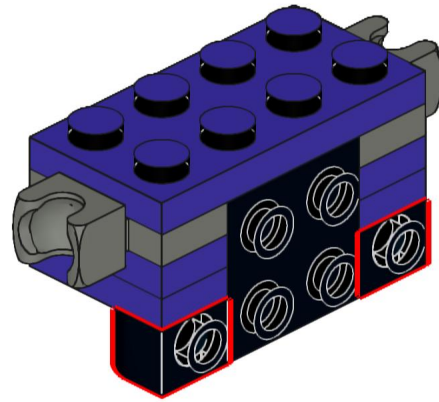
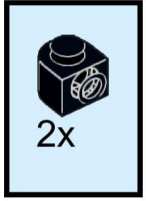
3



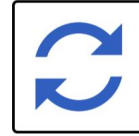
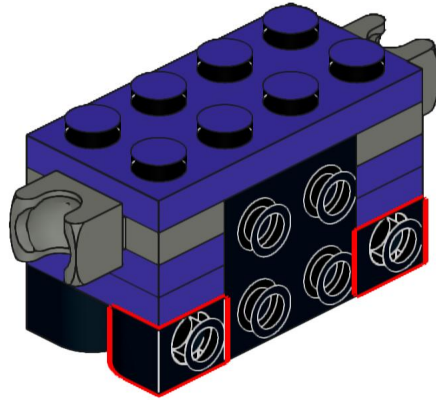
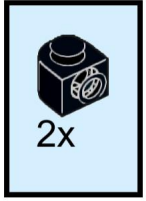
4



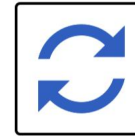
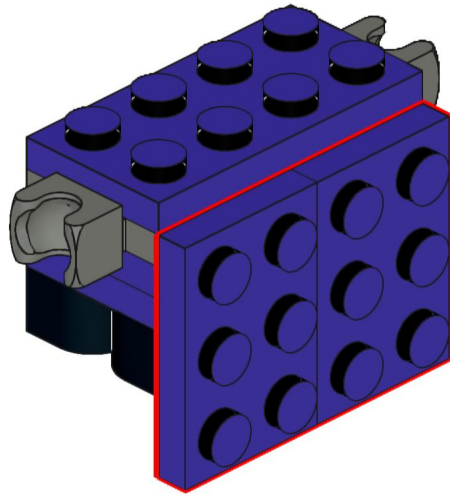
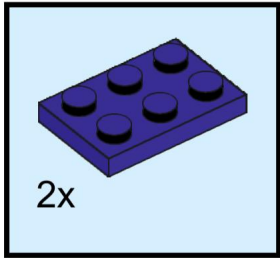
5



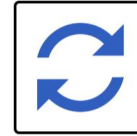
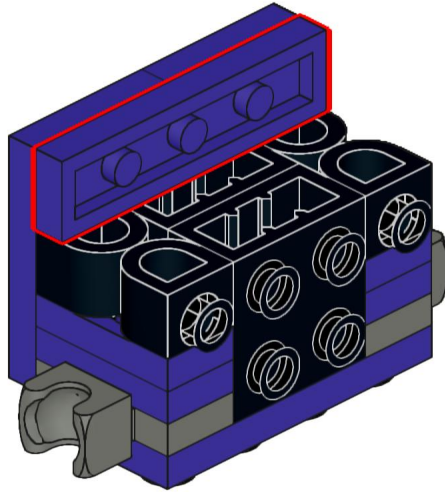
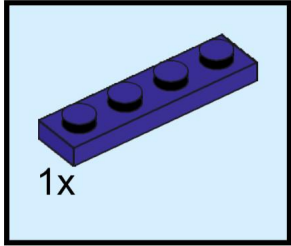
6



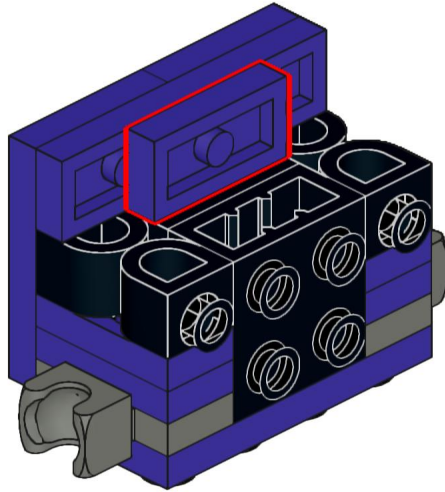
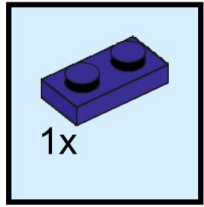
7



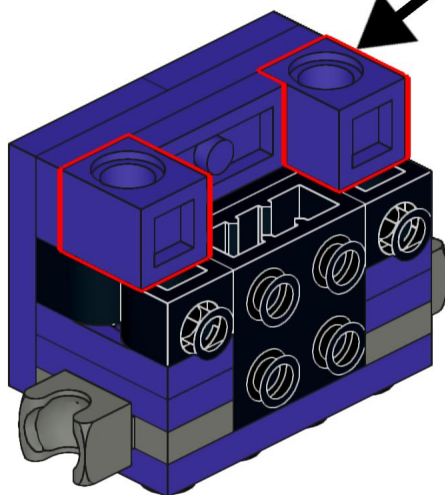
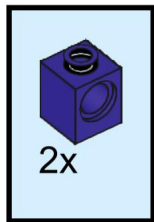
8



9

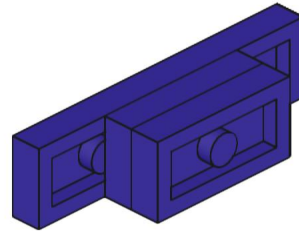
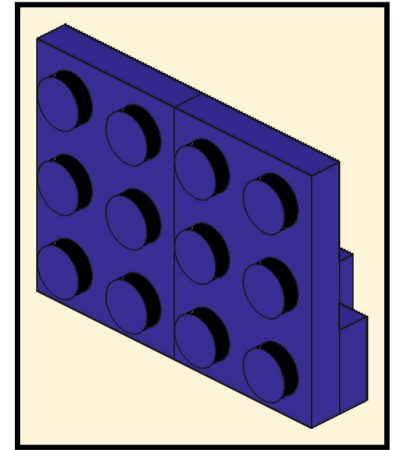
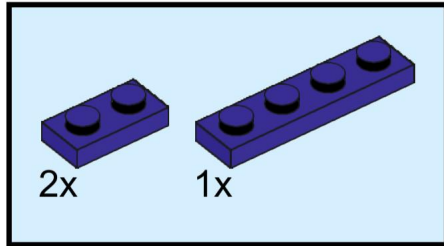


# 10

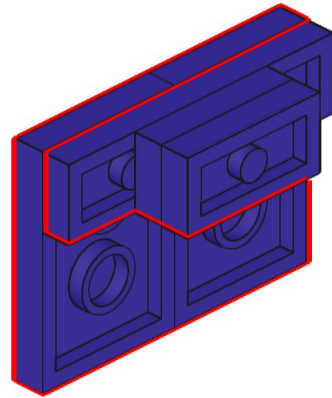
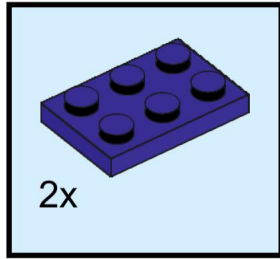


Please note that these holes should be closer to the back side than the front side for better balance on the completed model.

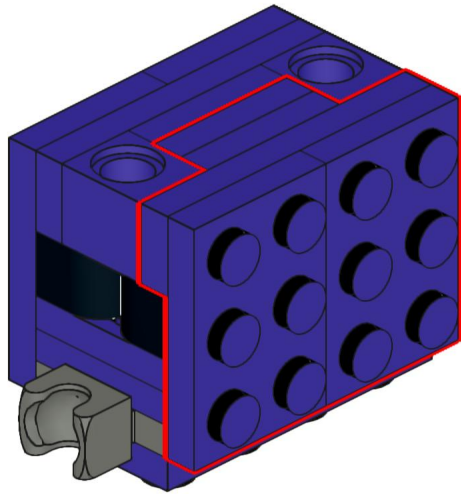
# 11



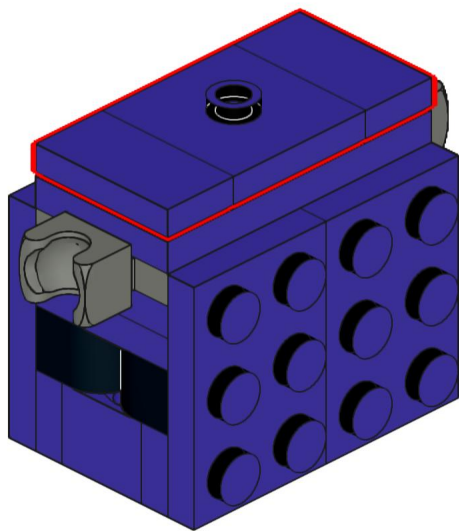
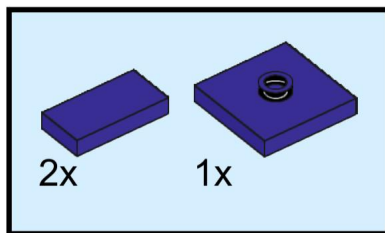
# 12



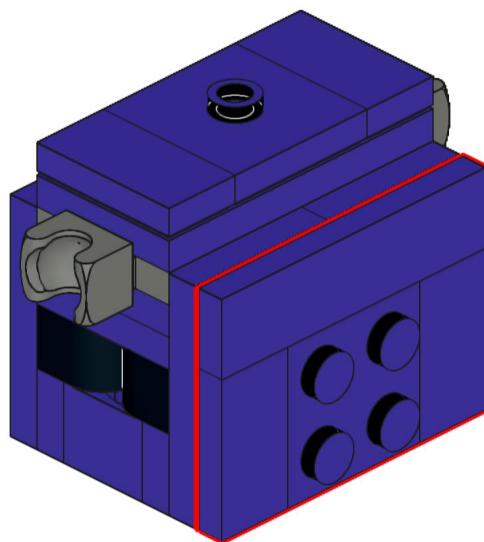
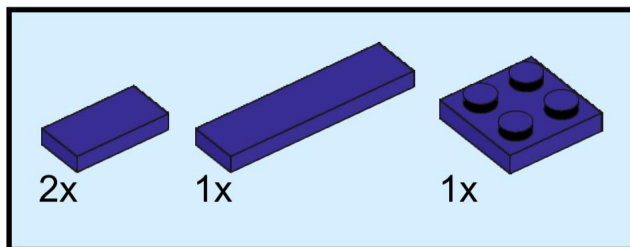
13



# 14

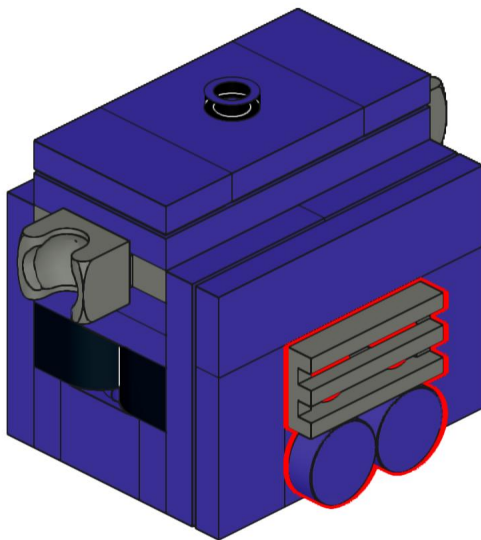
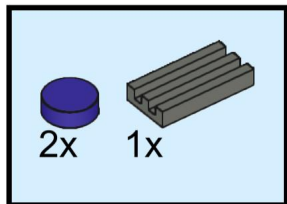


# 15

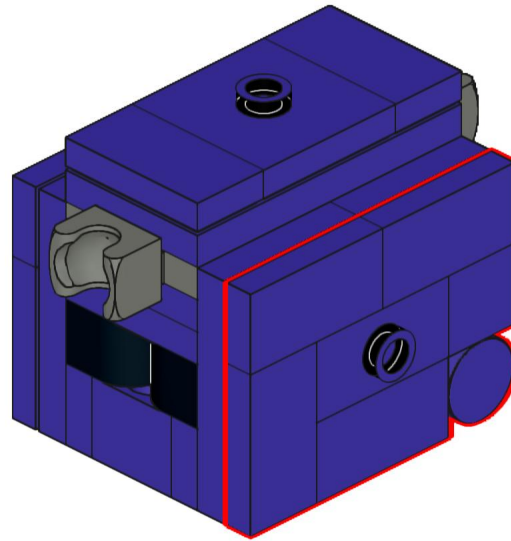
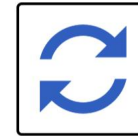
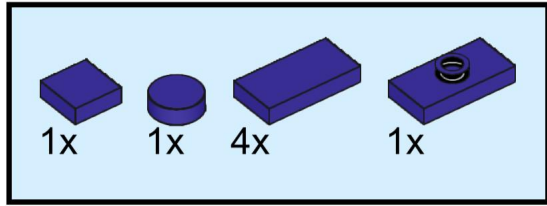


Note that you are now working on the back side of the torso. Please be sure to check that the holes on the bottom are closer to this side before proceeding with this step as per note on Step 10.

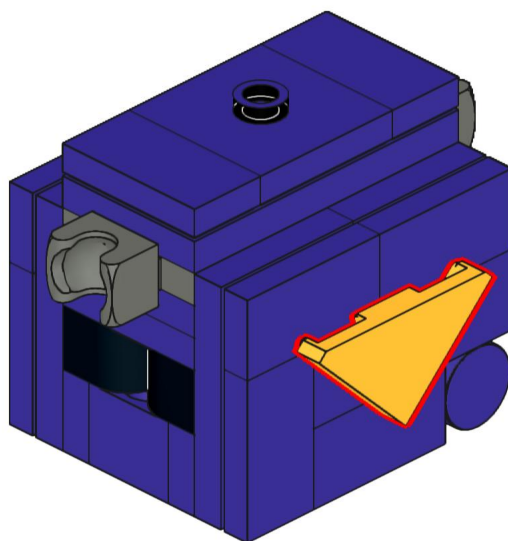
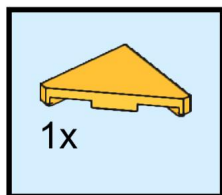
# 16



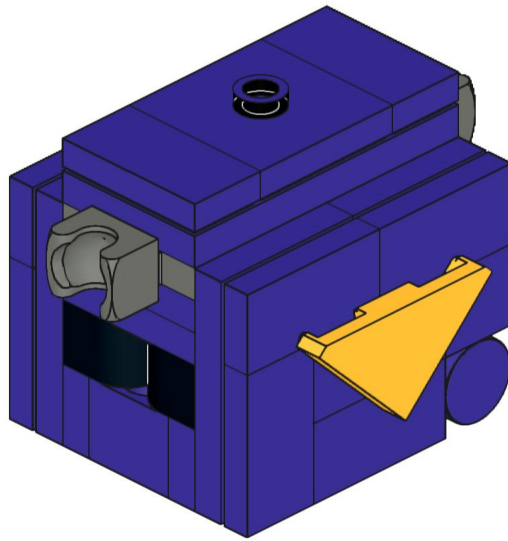
# 17



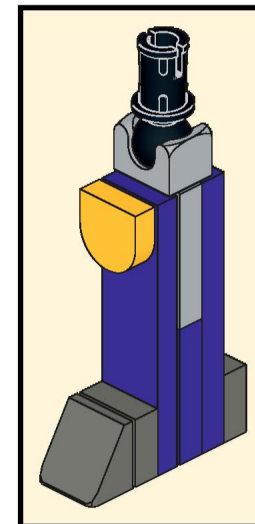
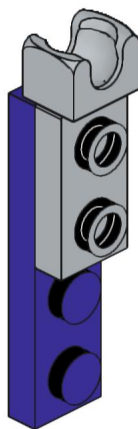
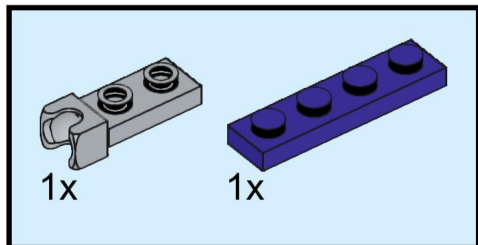
# 18



# 19

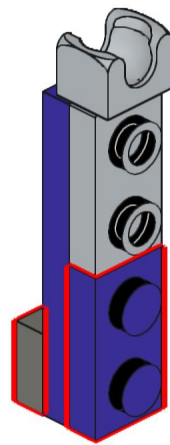
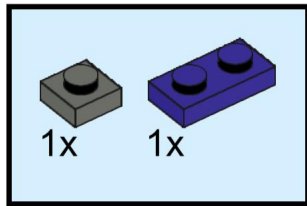


# 20

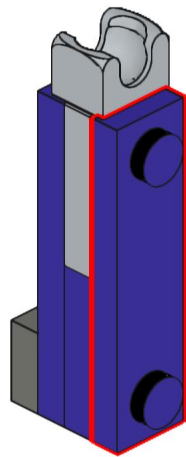
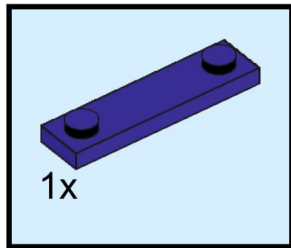


2x

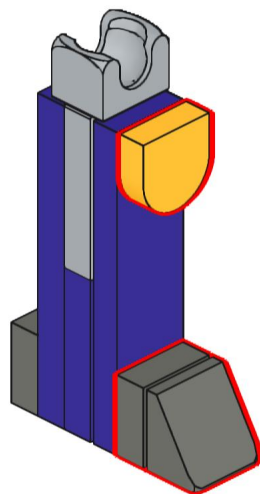
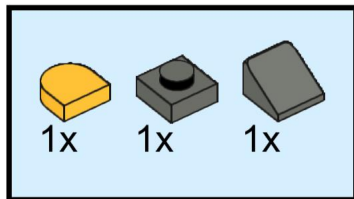
# 21



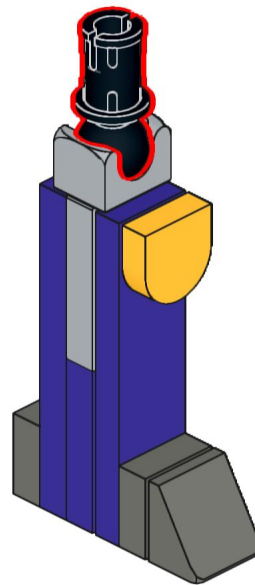
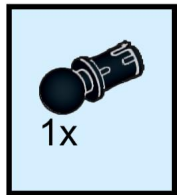
# 22



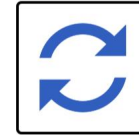
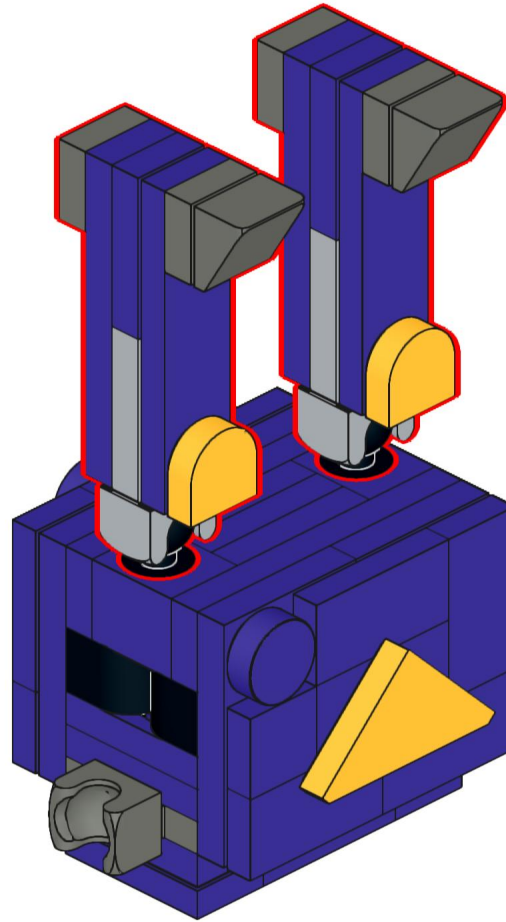
# 23



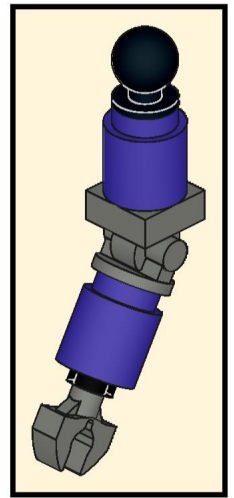
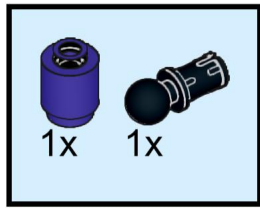
24



# 25

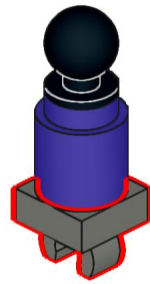
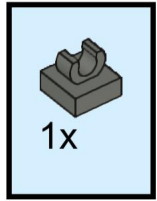


# 26

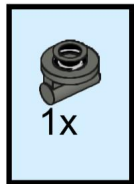


2x

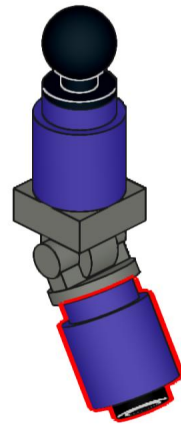
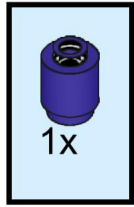
27



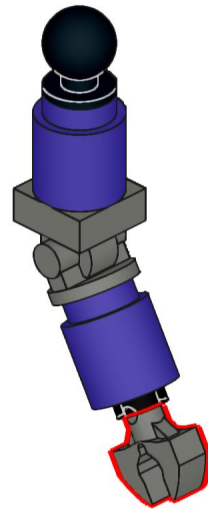
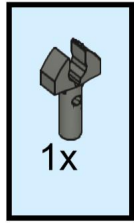
# 28



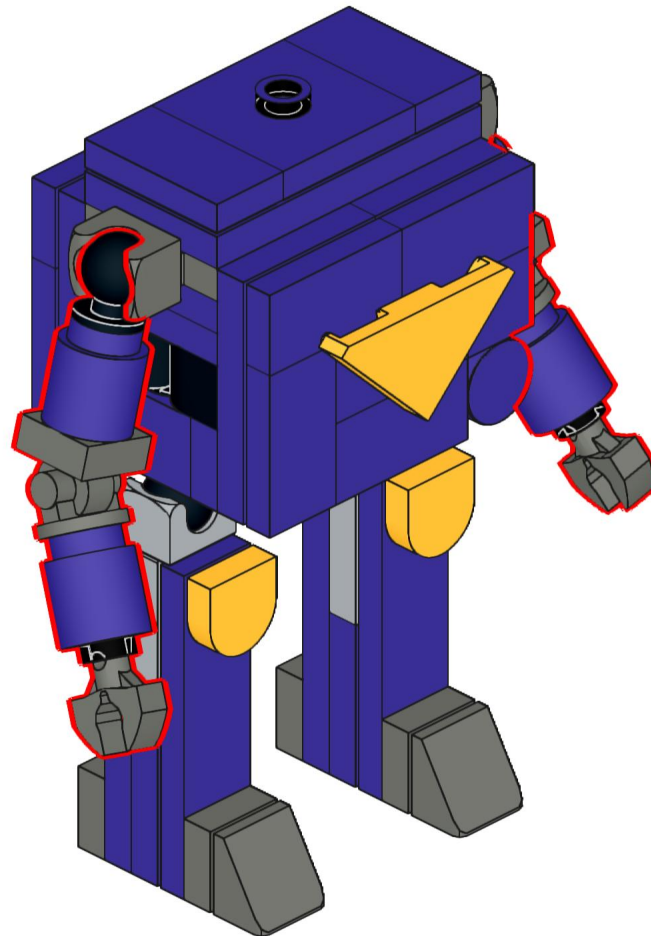
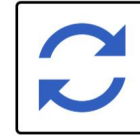
29



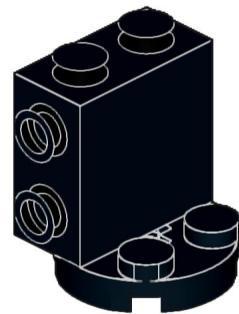
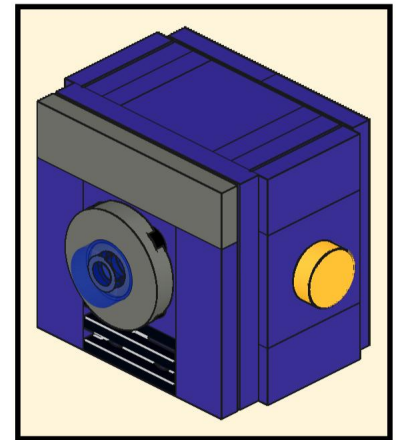
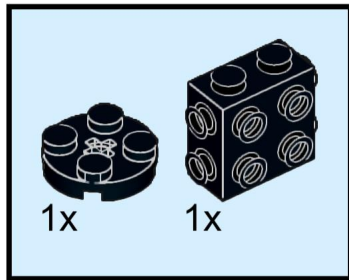
30



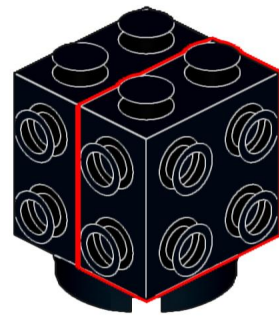
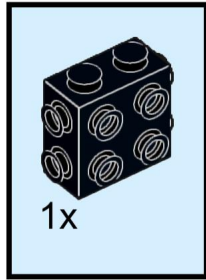
# 31



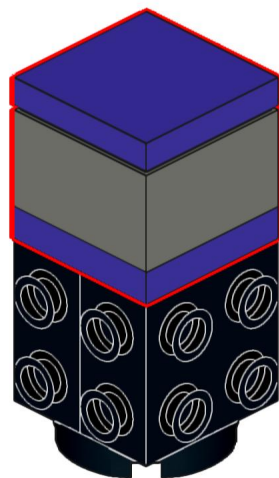
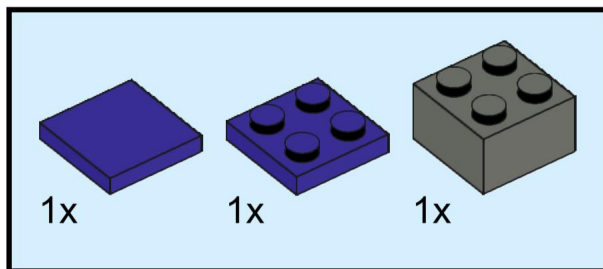
# 32



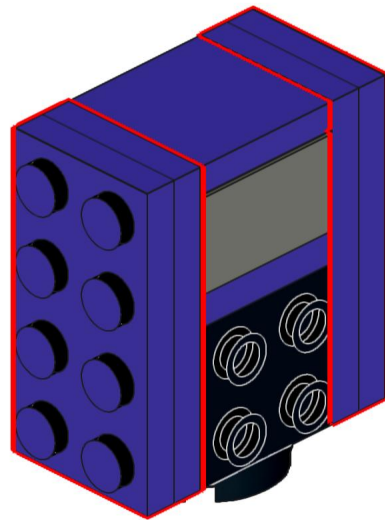
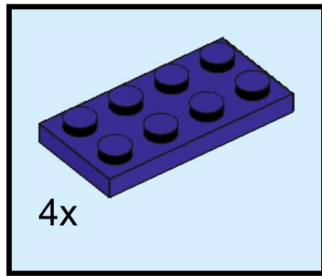
33



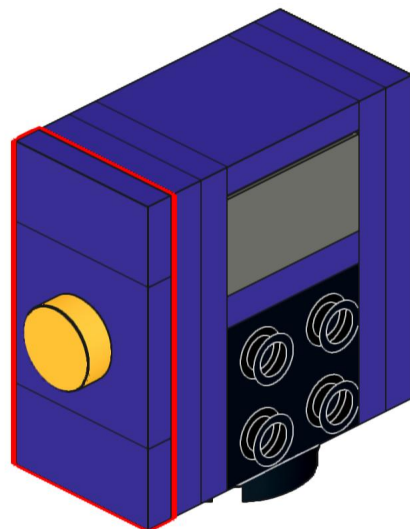
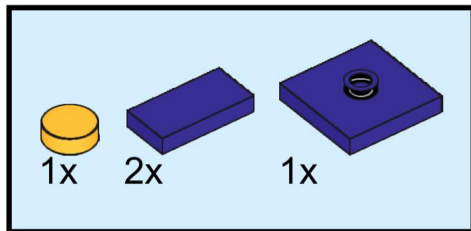
# 34



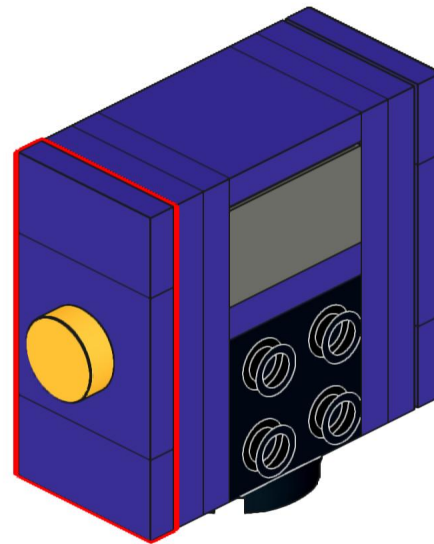
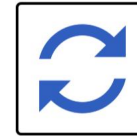
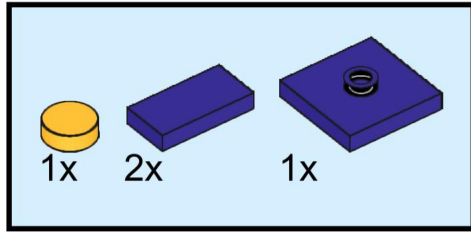
# 35



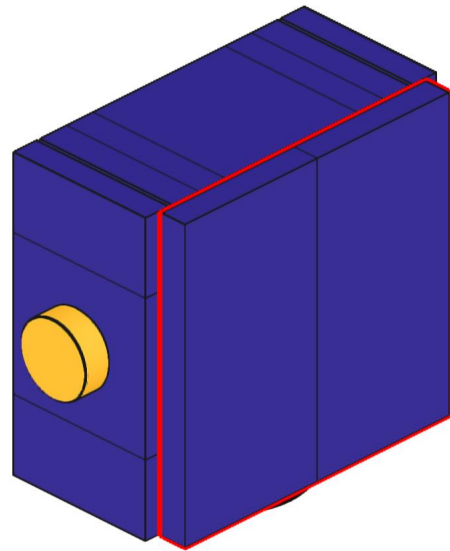
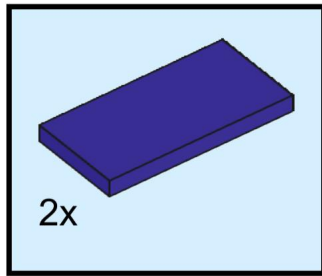
# 36



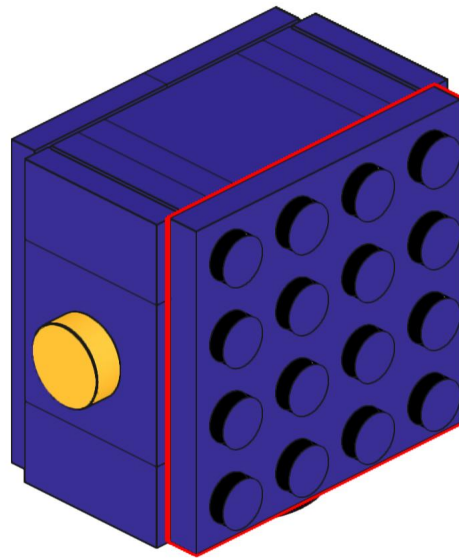
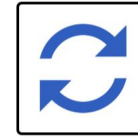
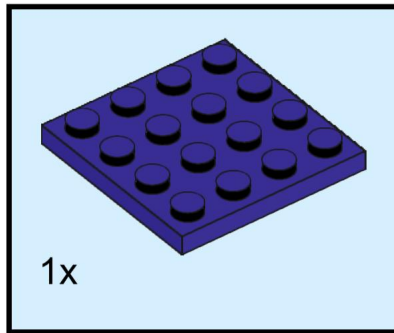
# 37



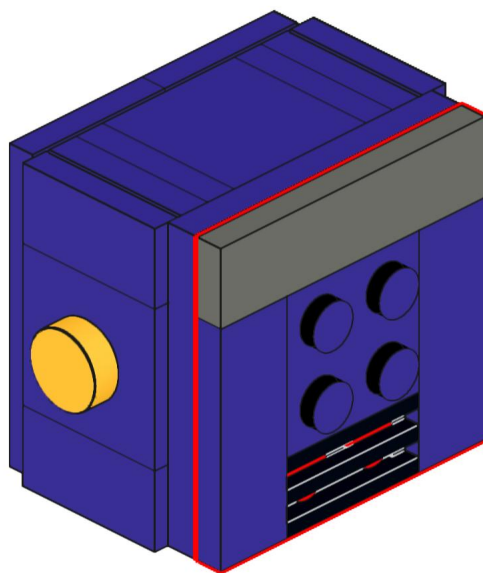
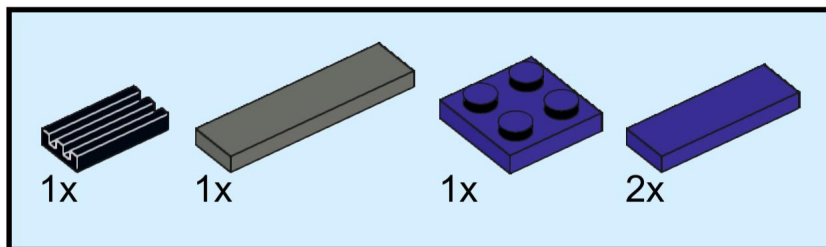
38



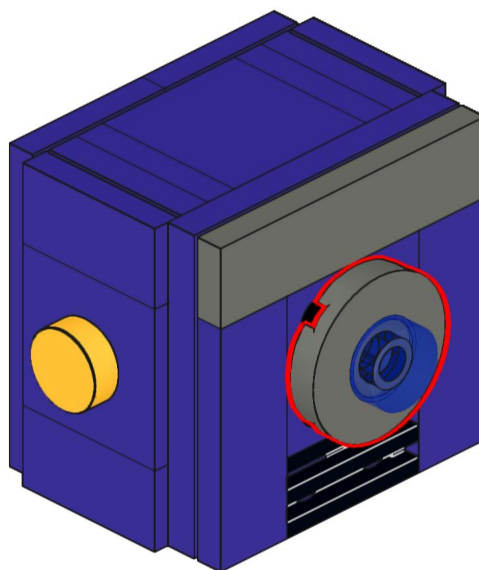
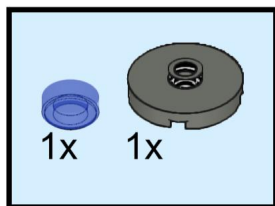
# 39



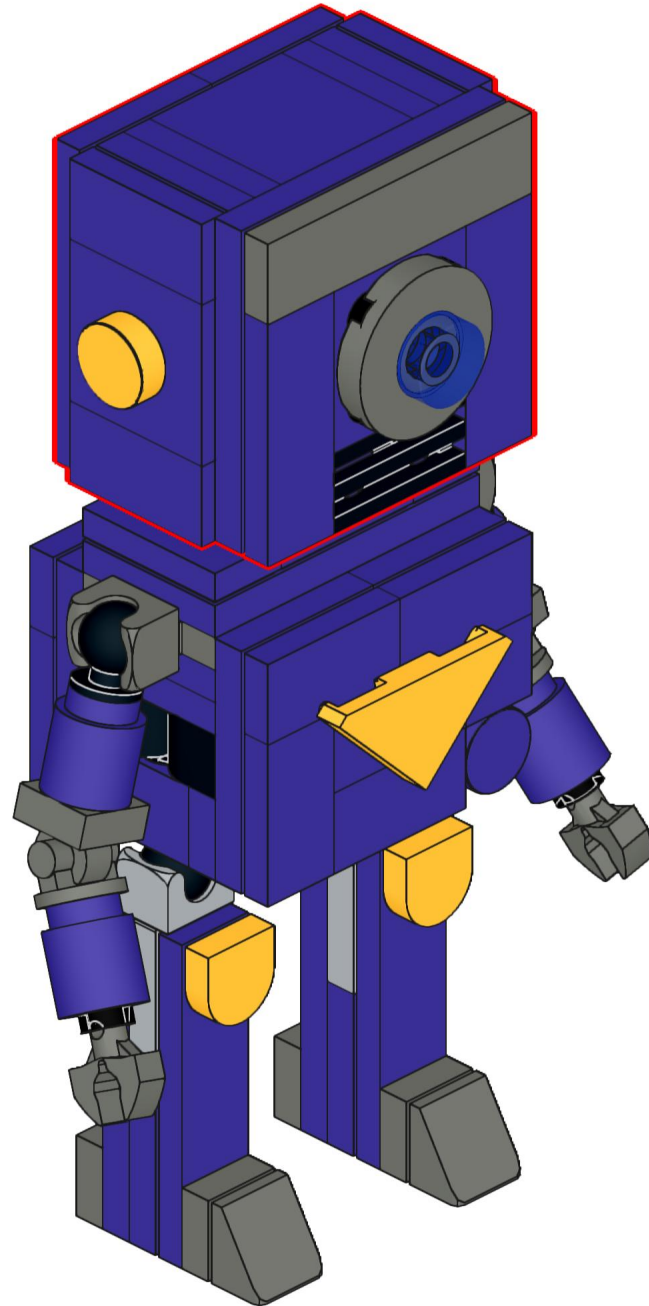
# 40



# 41



42



43

