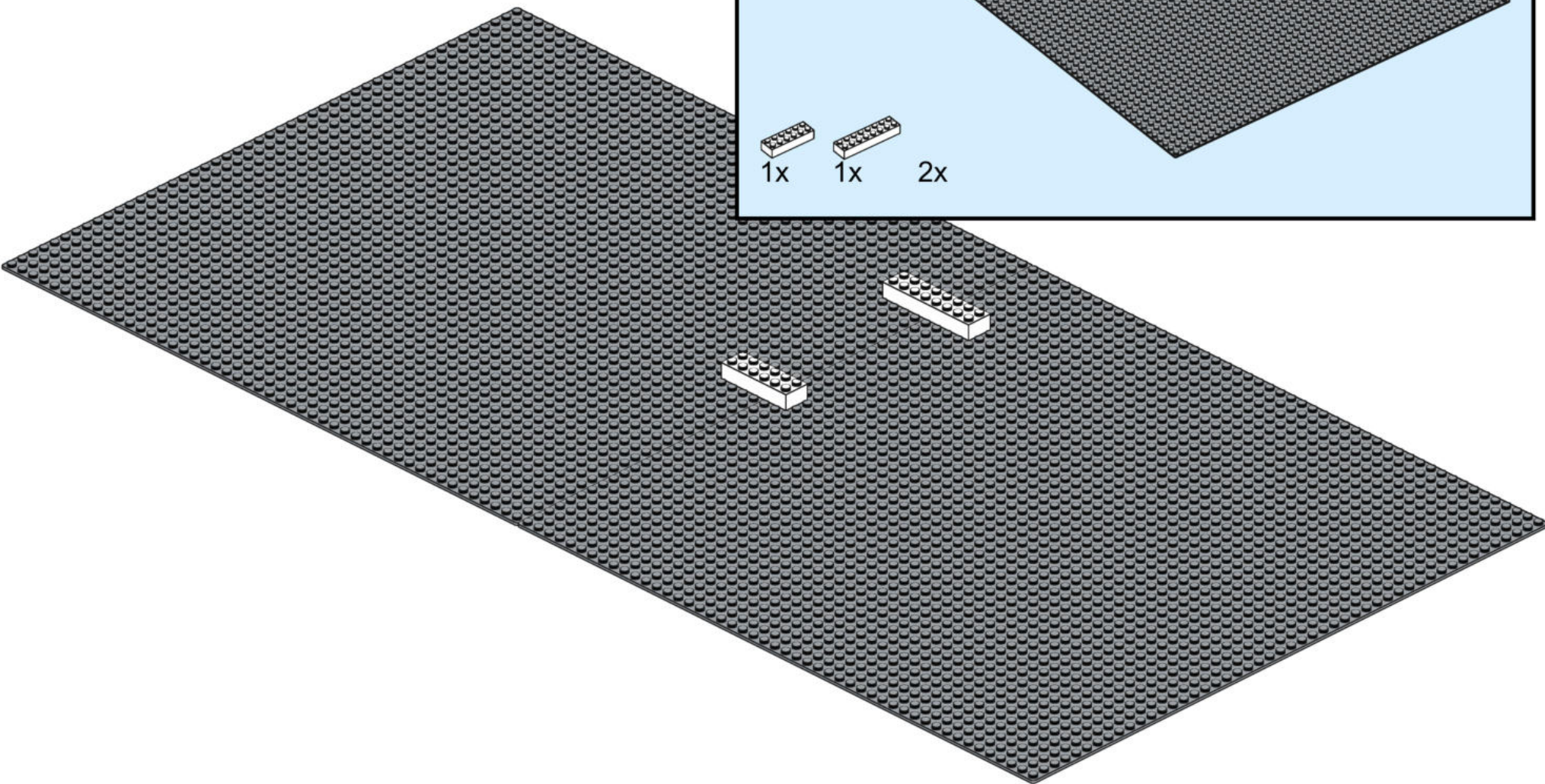
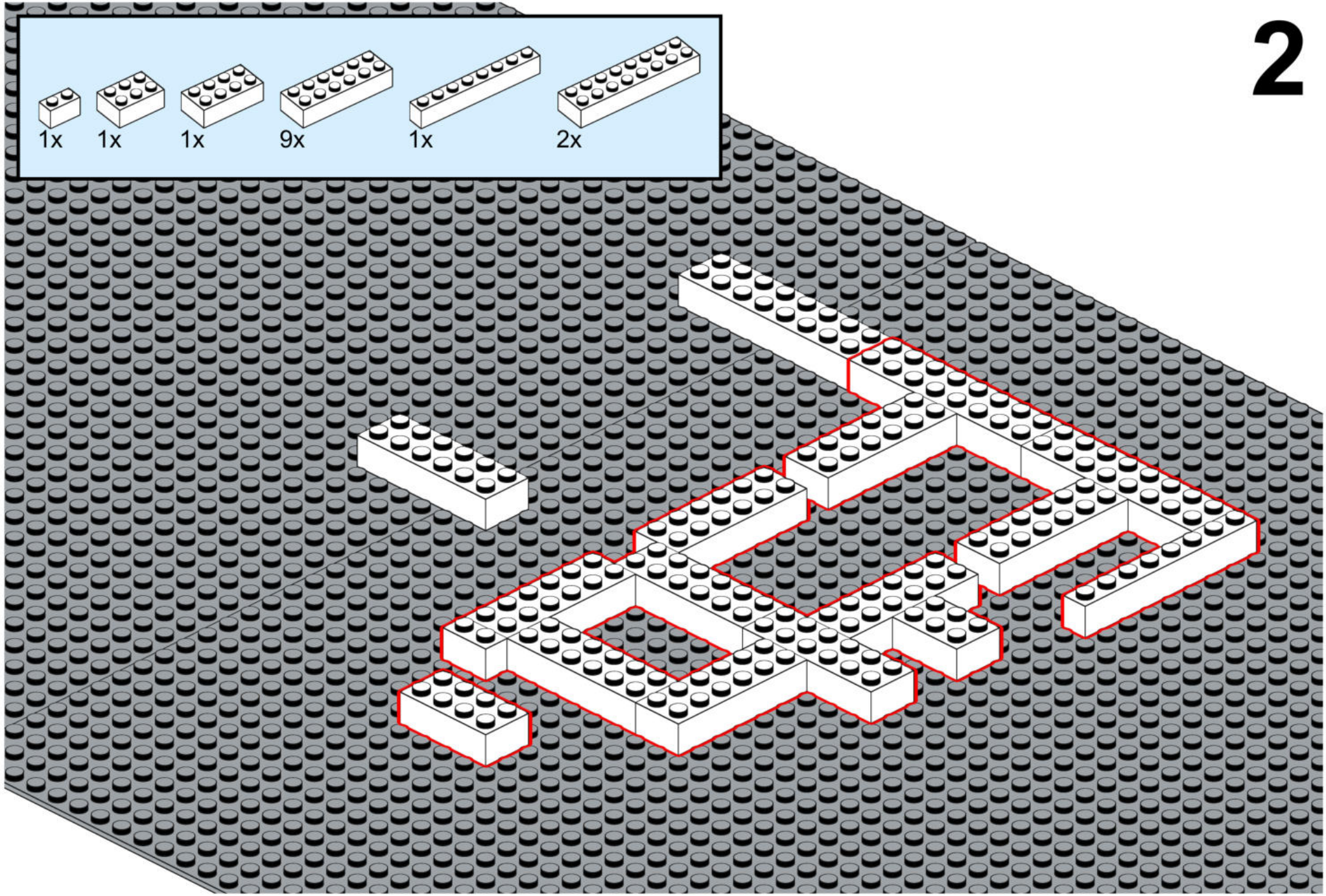
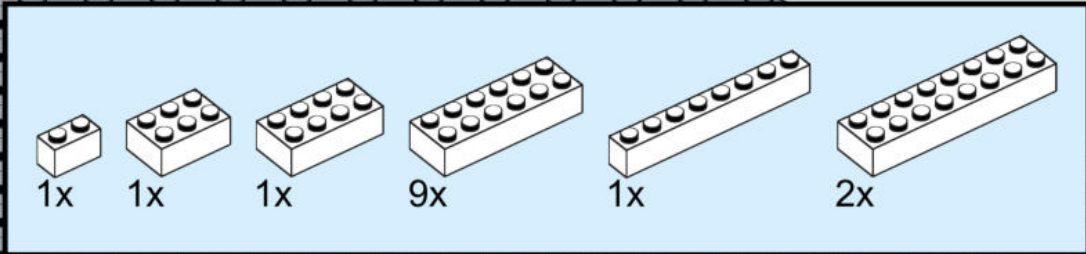


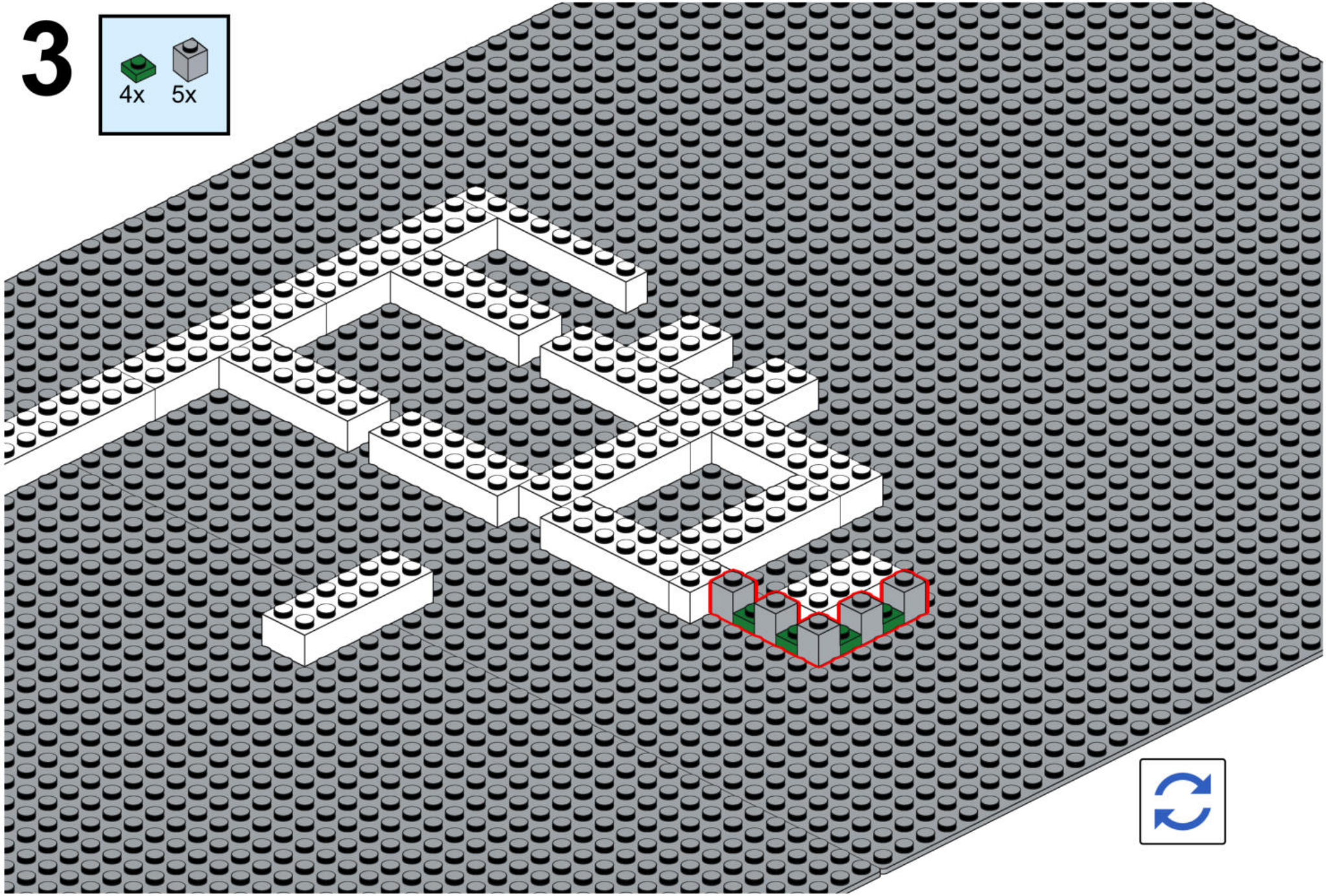
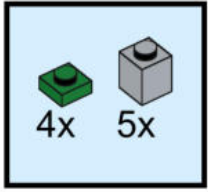


1



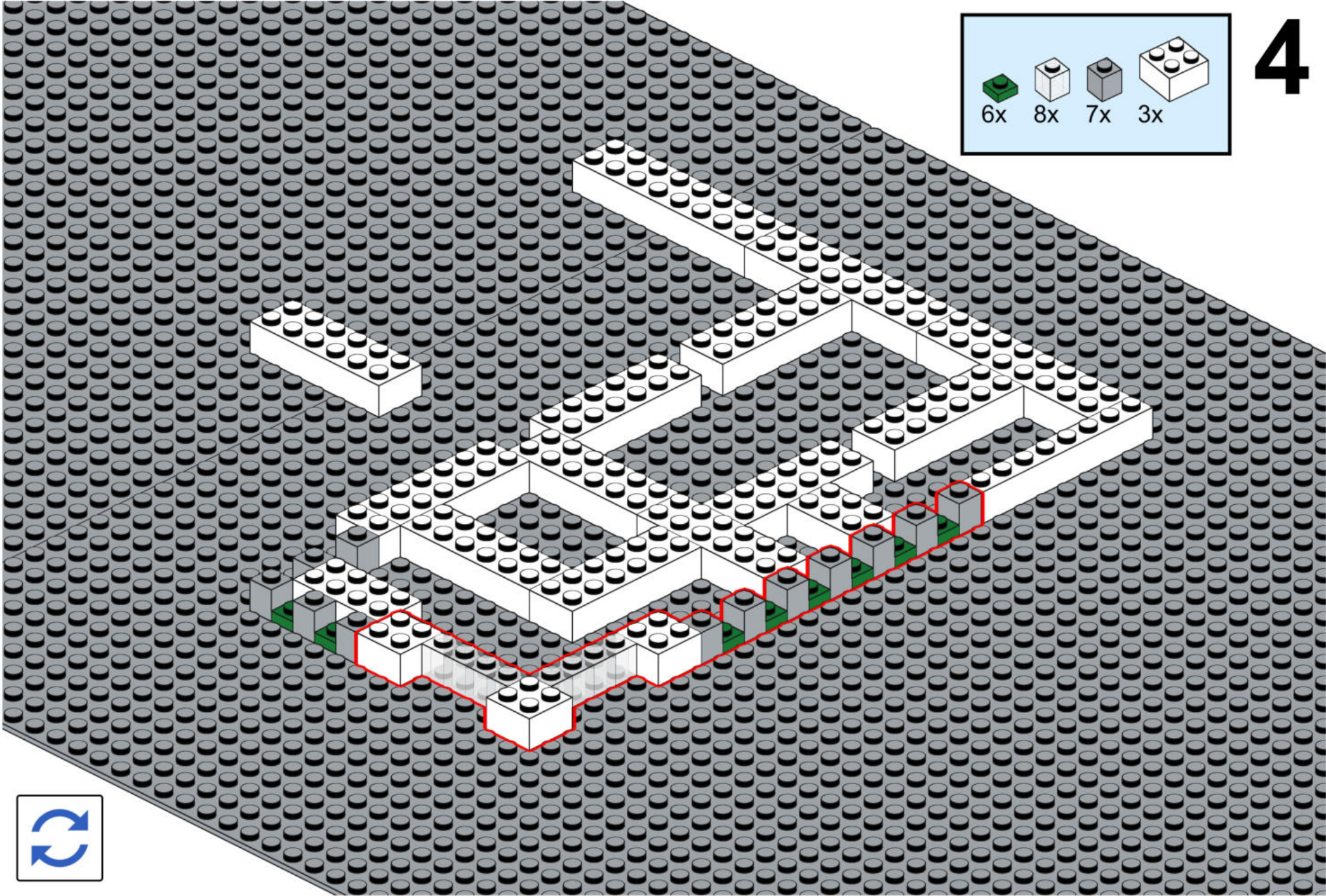


3

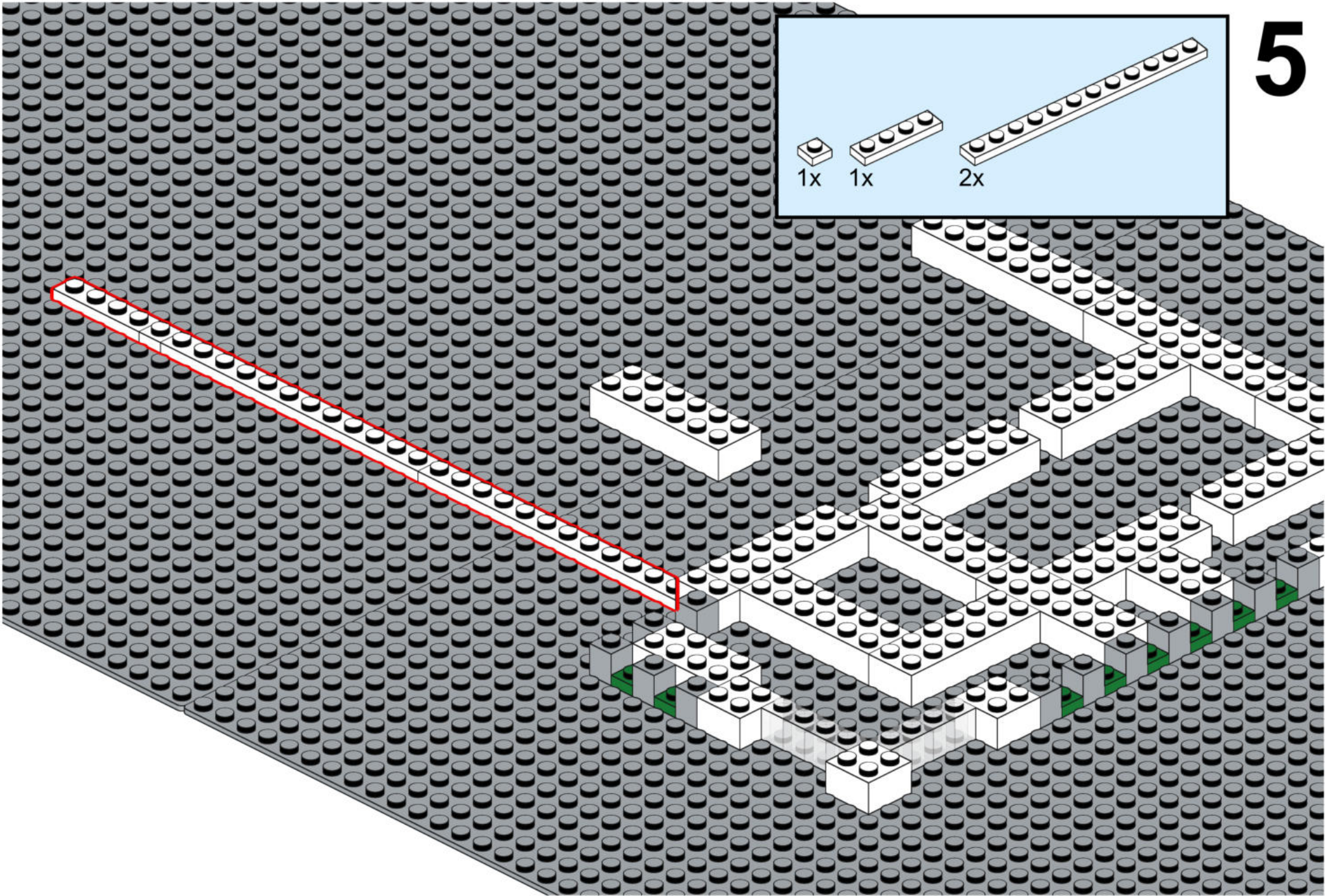
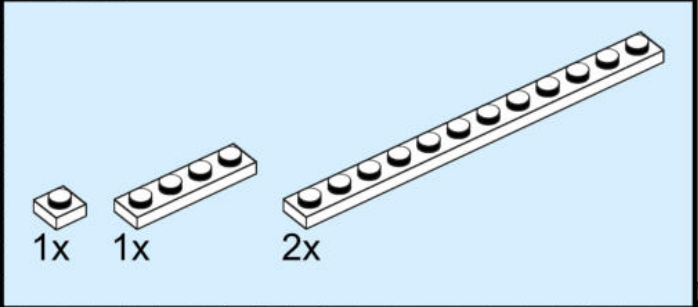


6x 8x 7x 3x

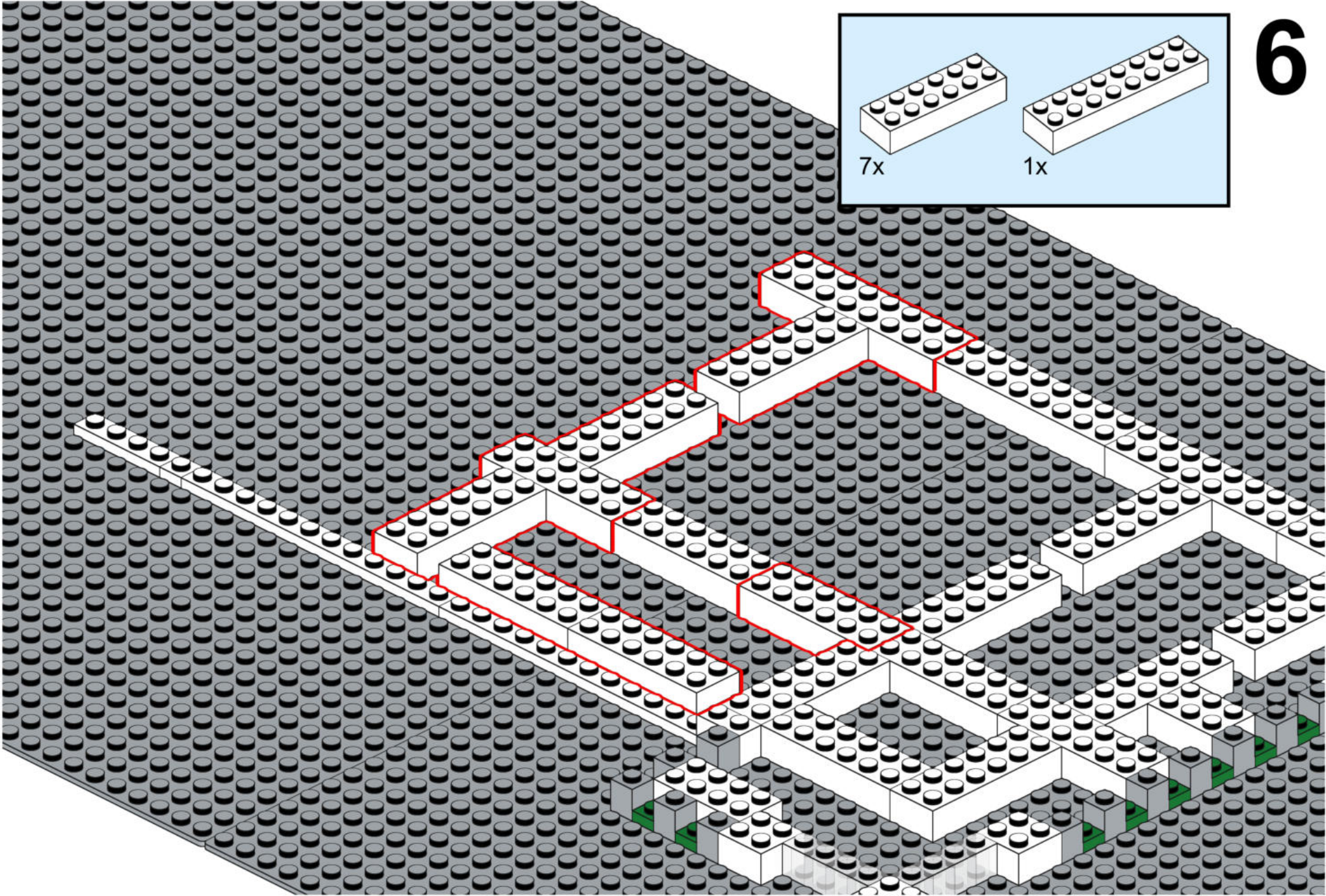
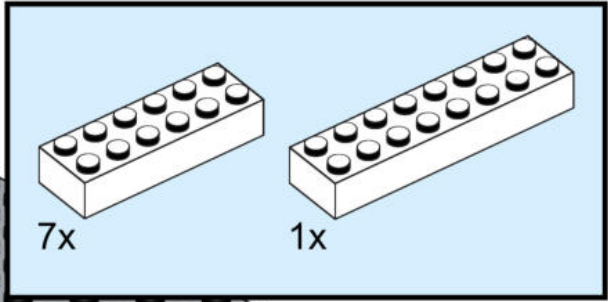
4

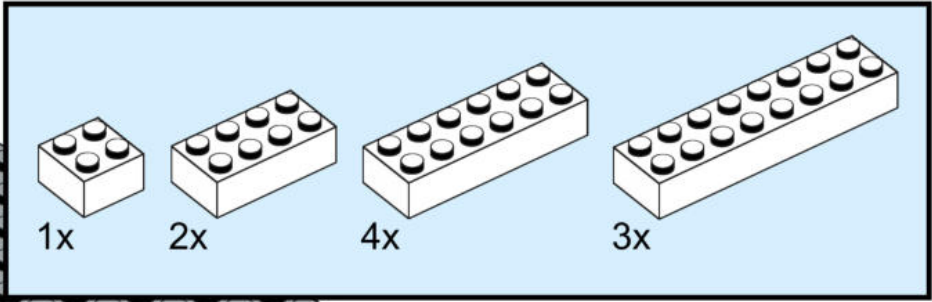


5

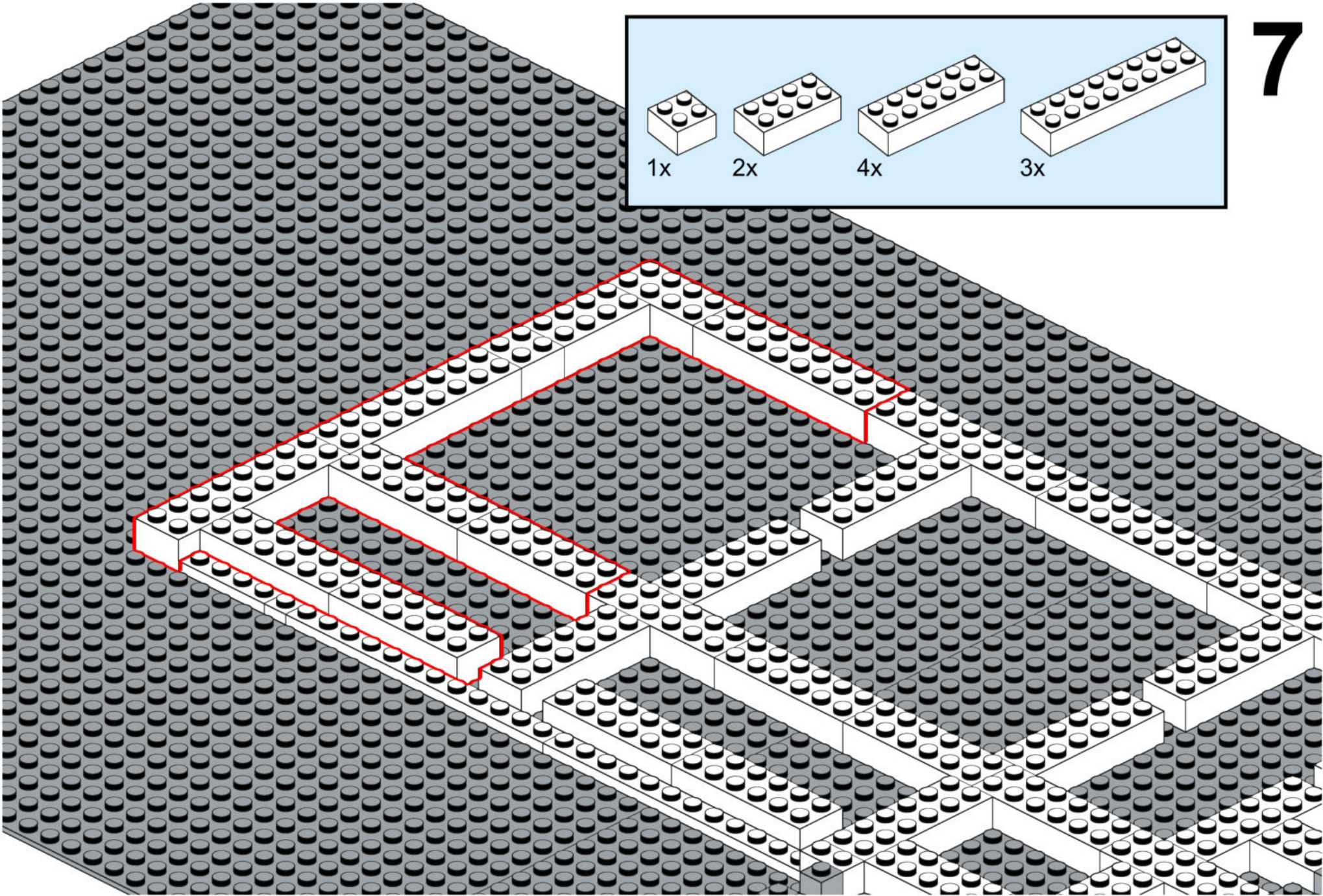


6

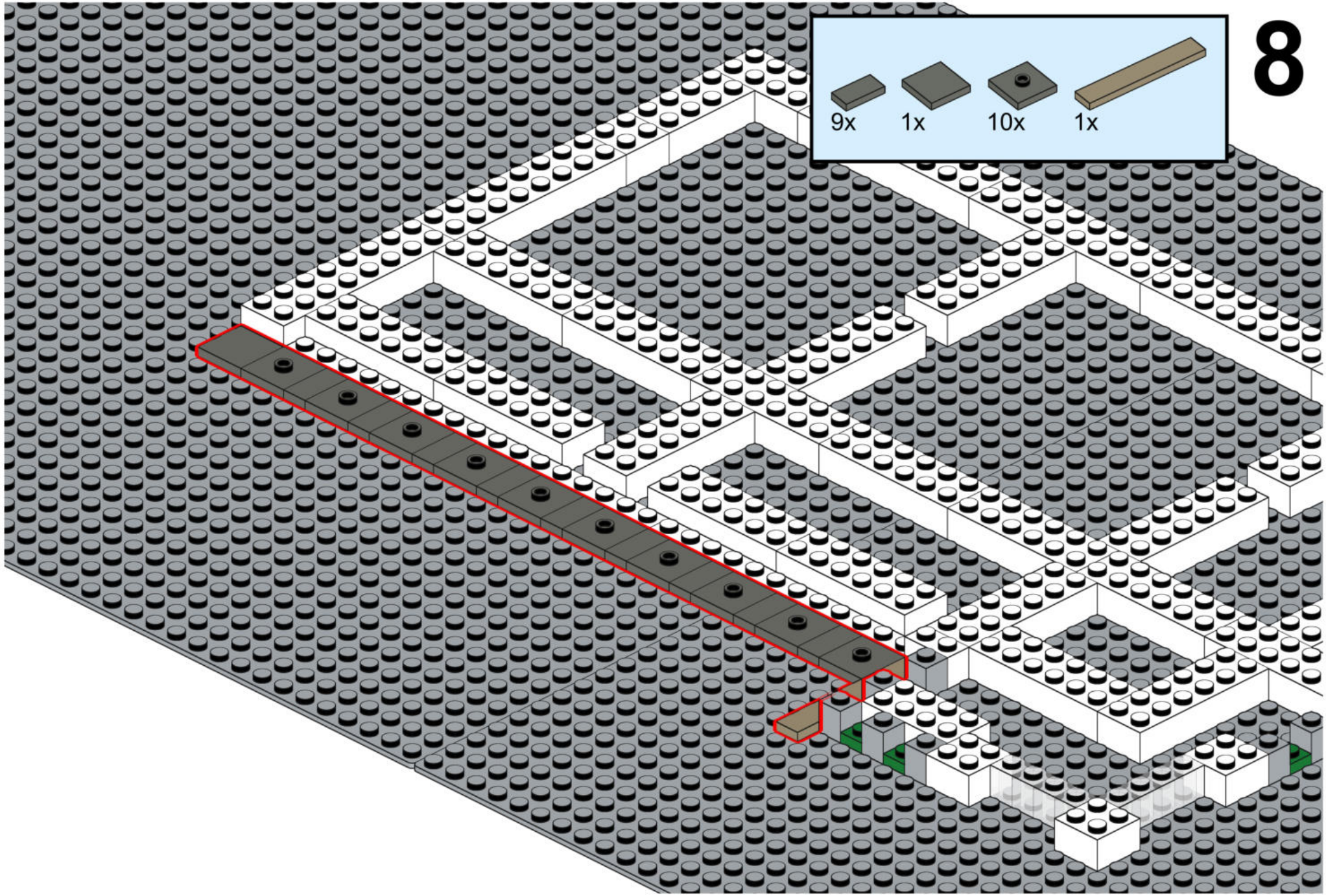




7

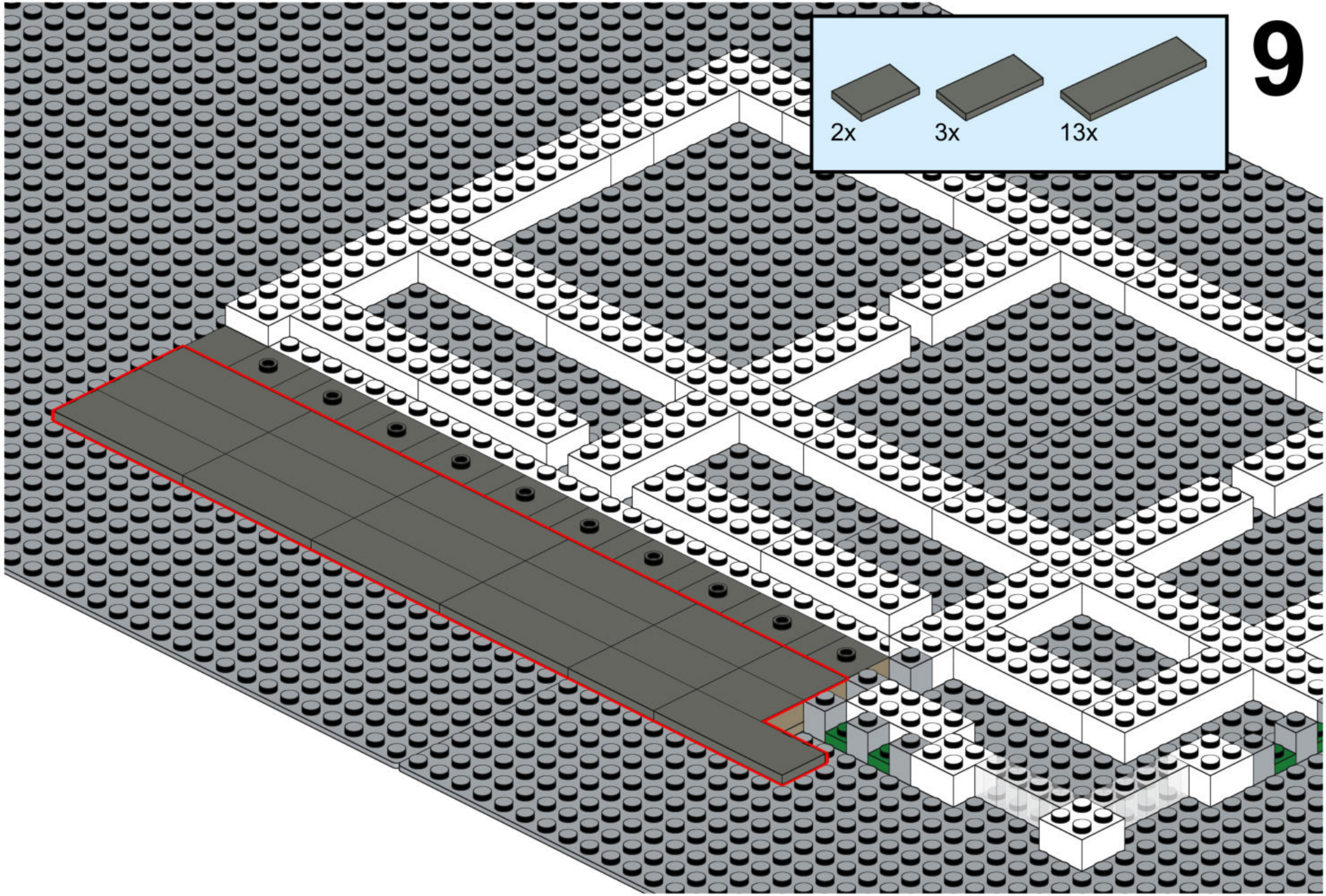






9x 1x 10x 1x

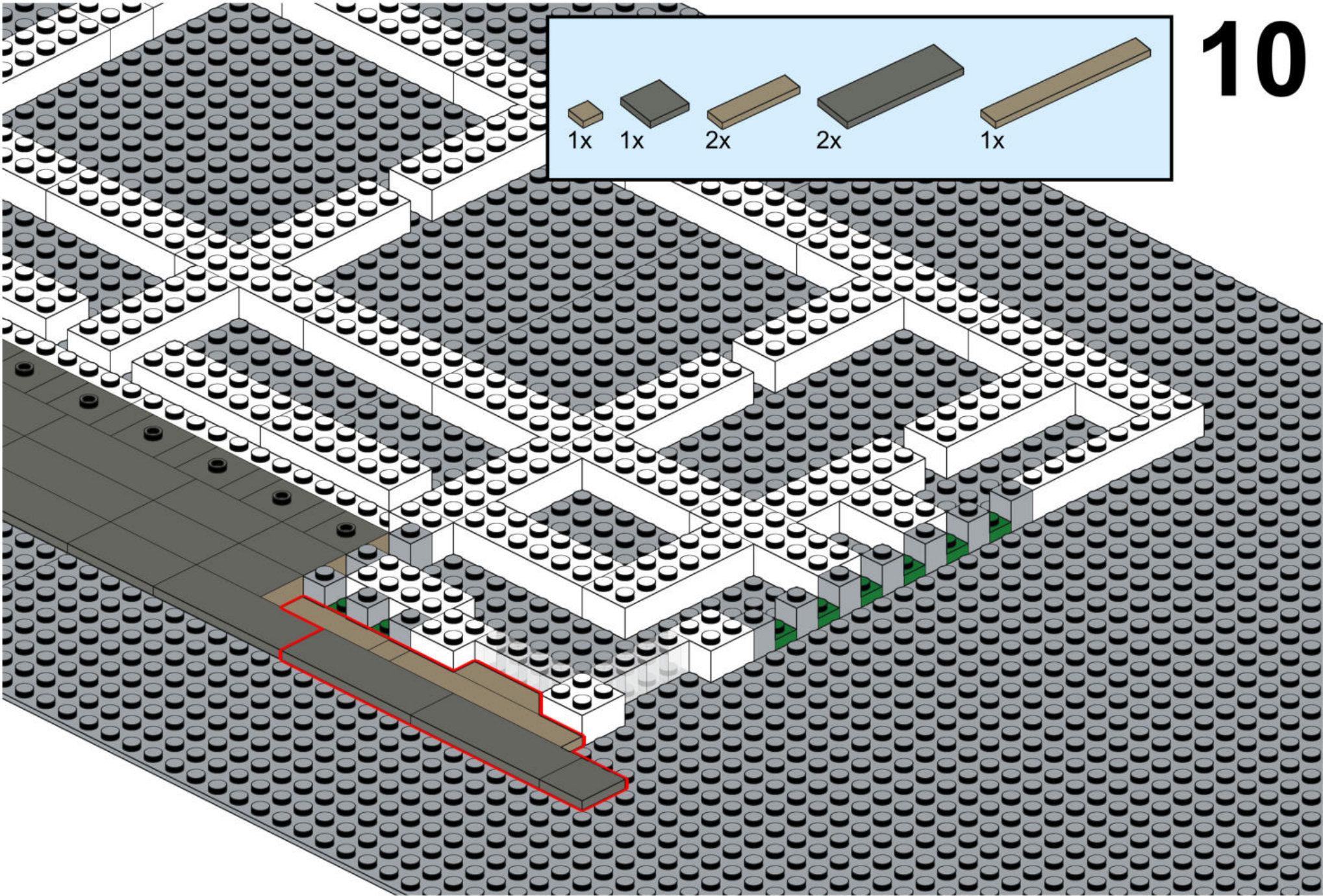
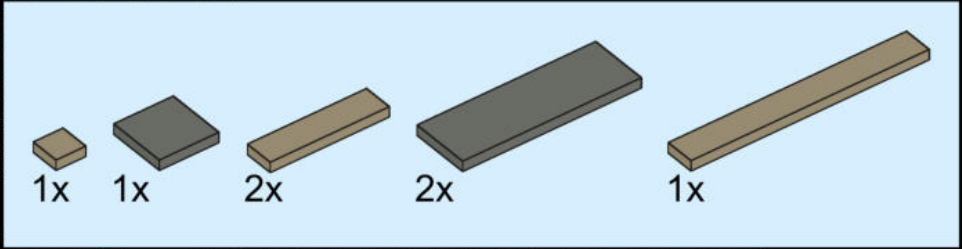
8

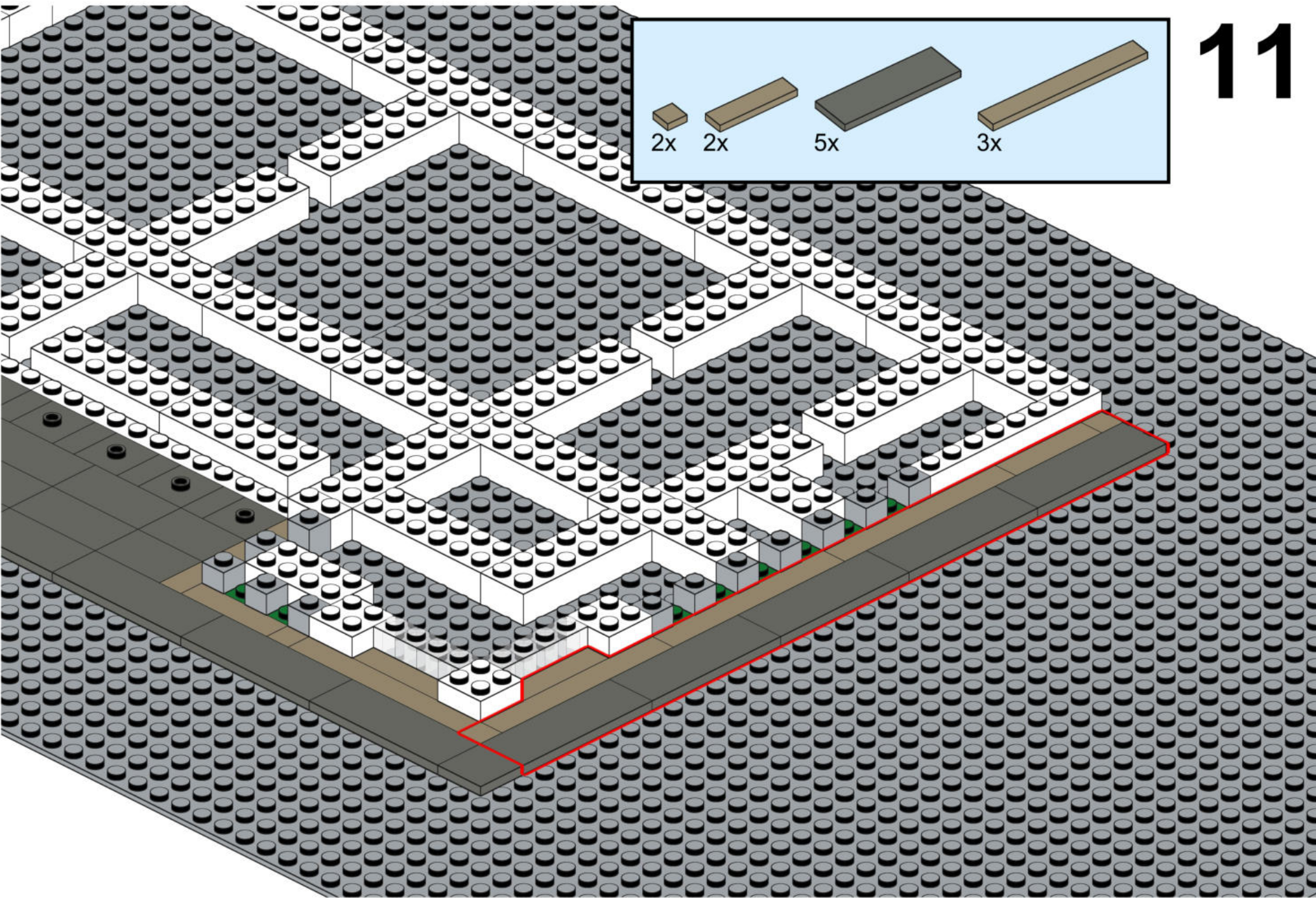


2x      3x      13x

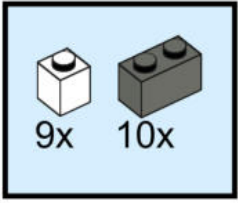
9

# 10

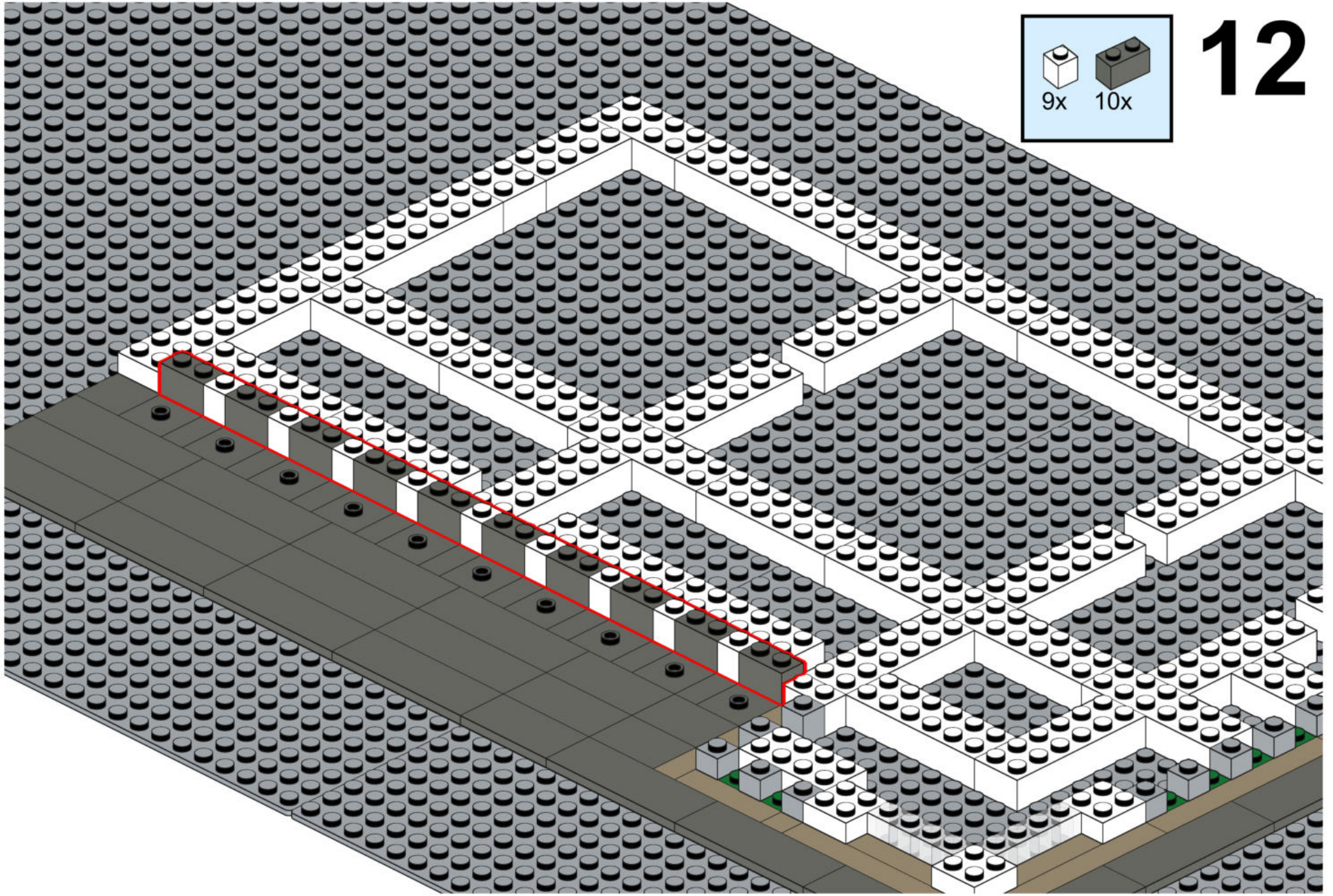




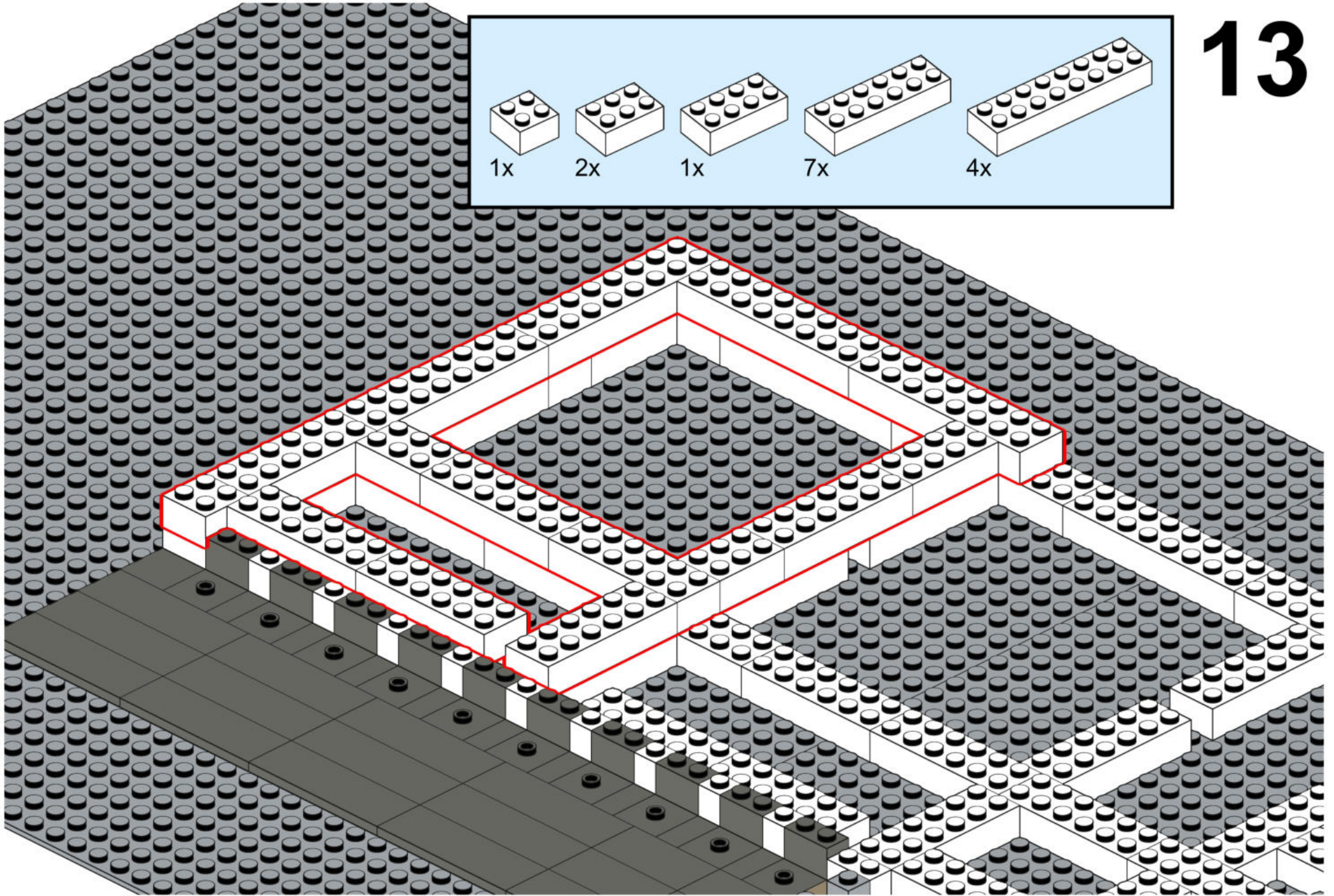
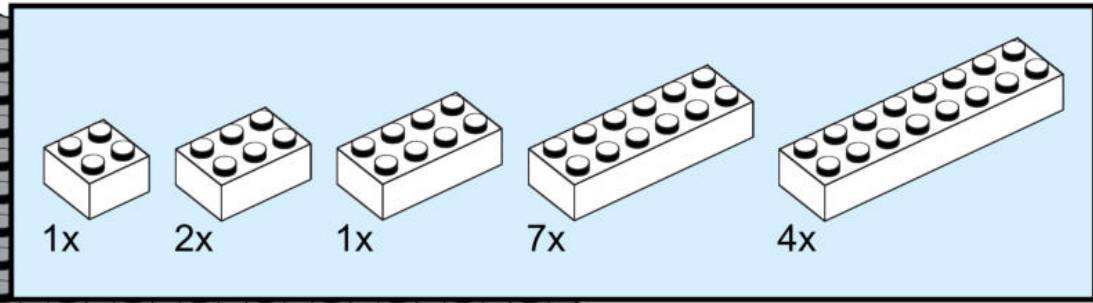
11

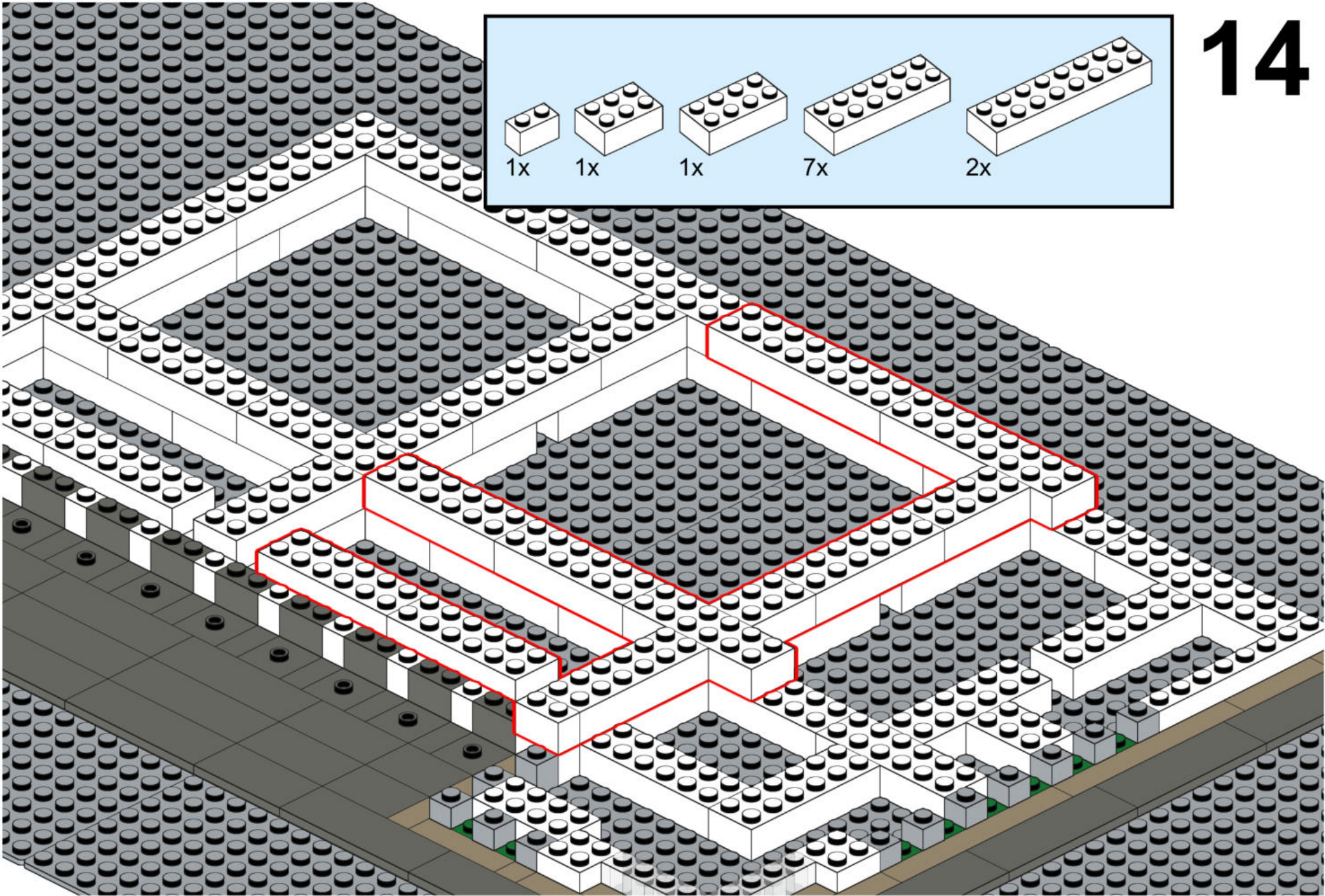
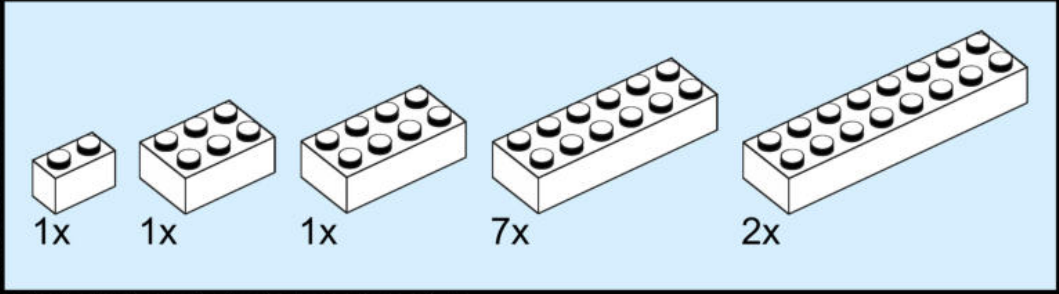


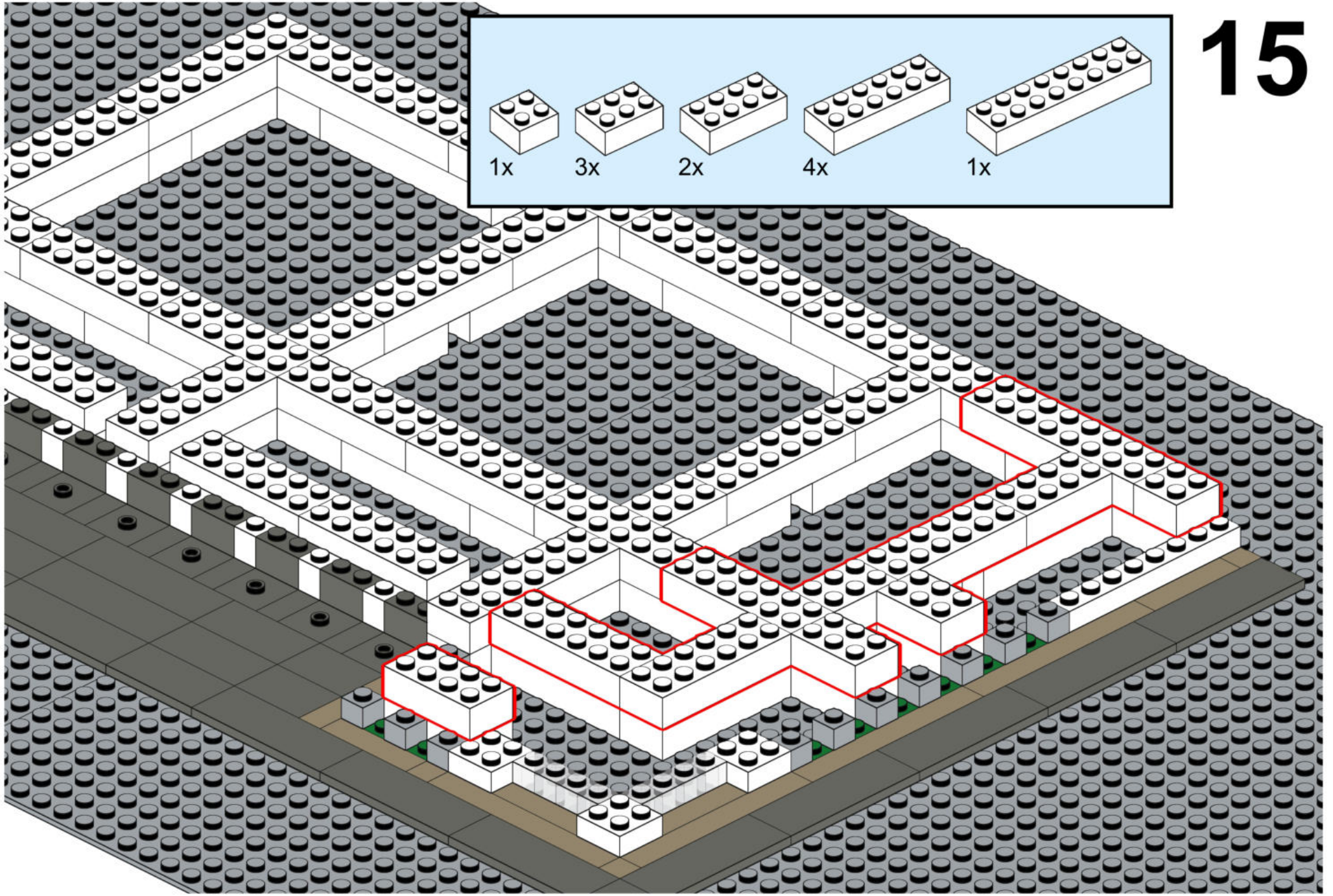
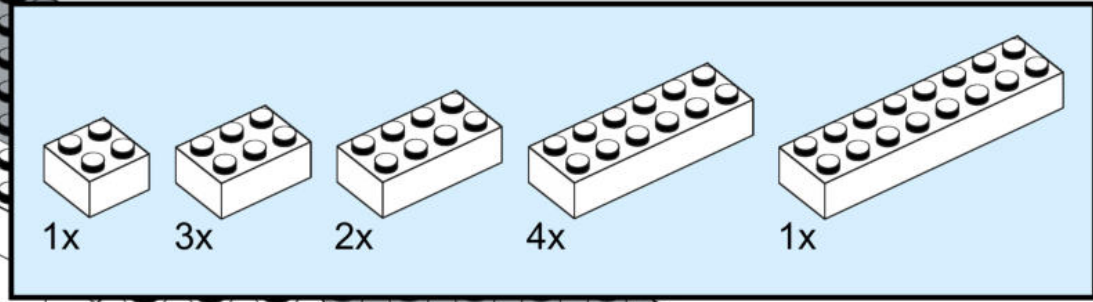
# 12



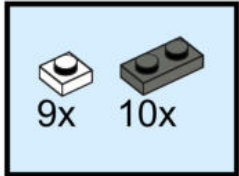
# 13





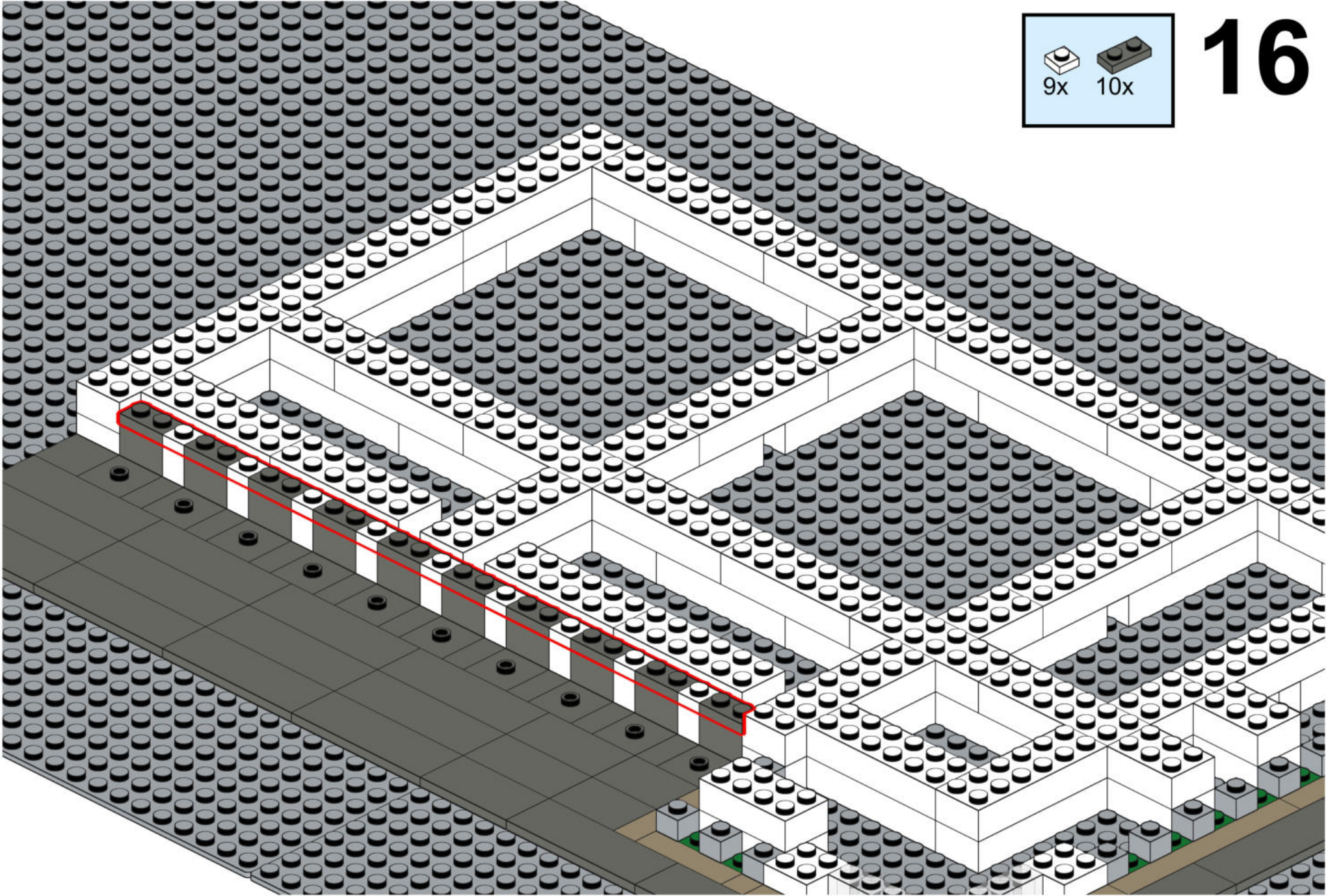






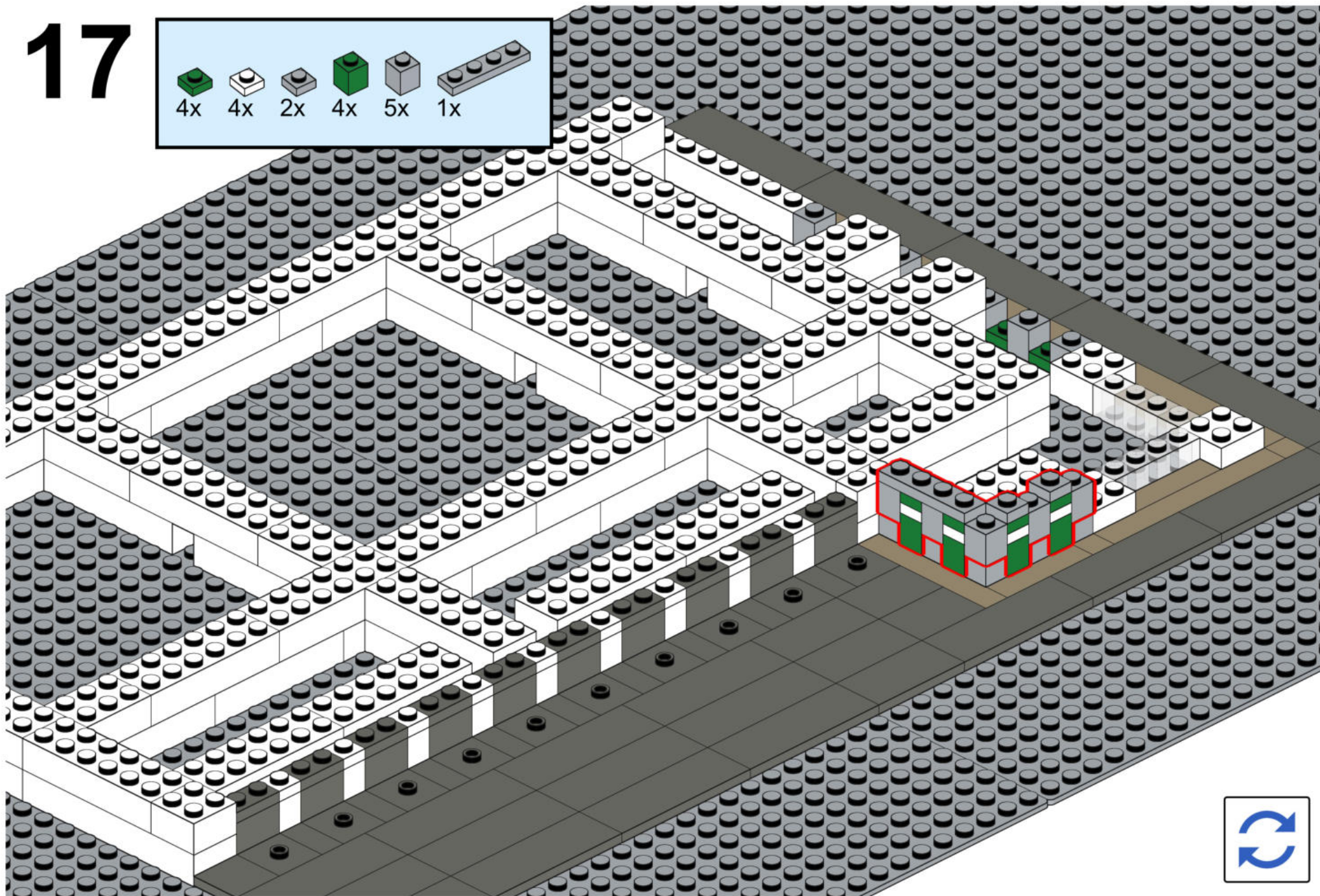
9x 10x

# 16

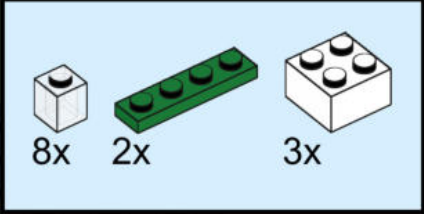


# 17

4x 4x 2x 4x 5x 1x

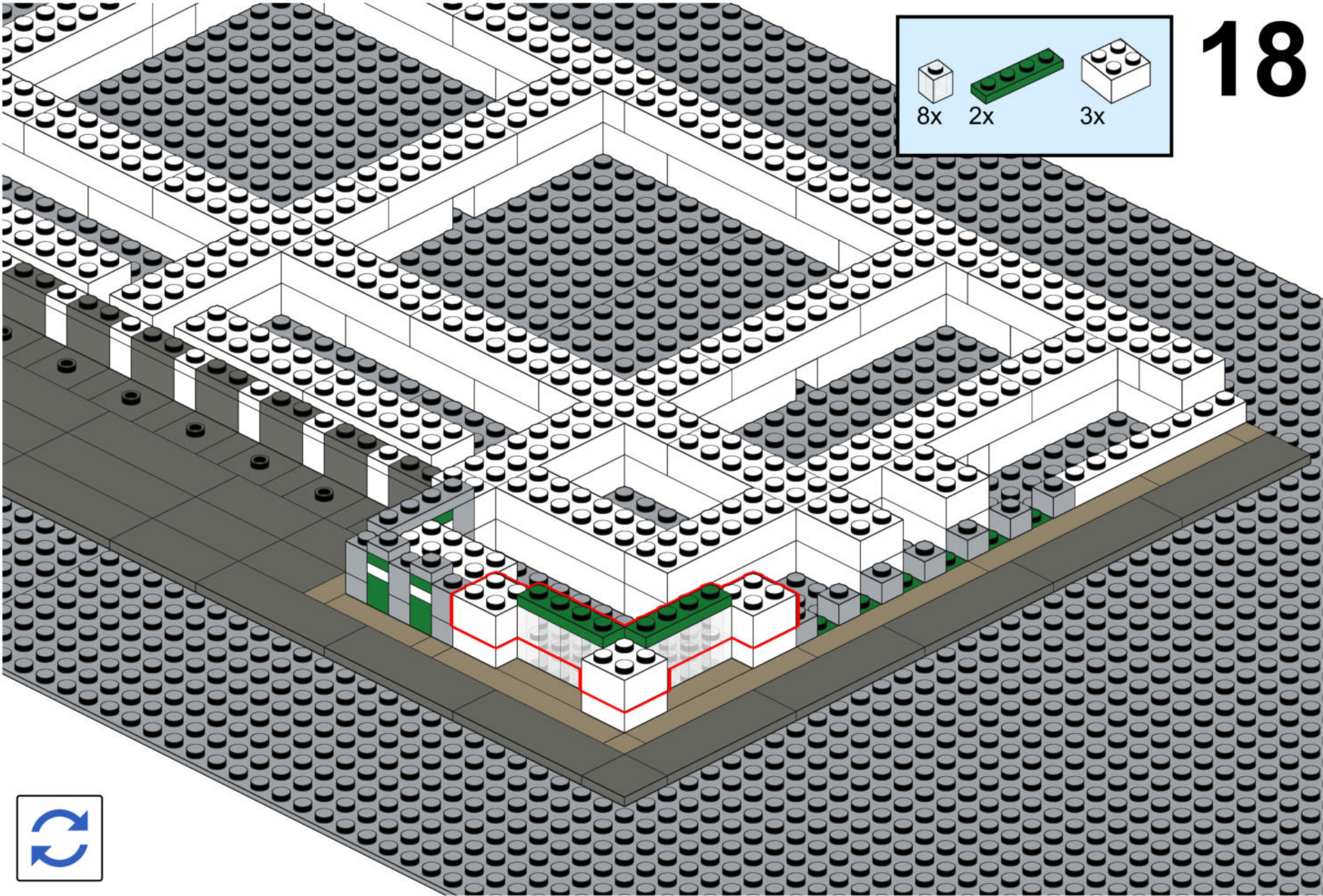


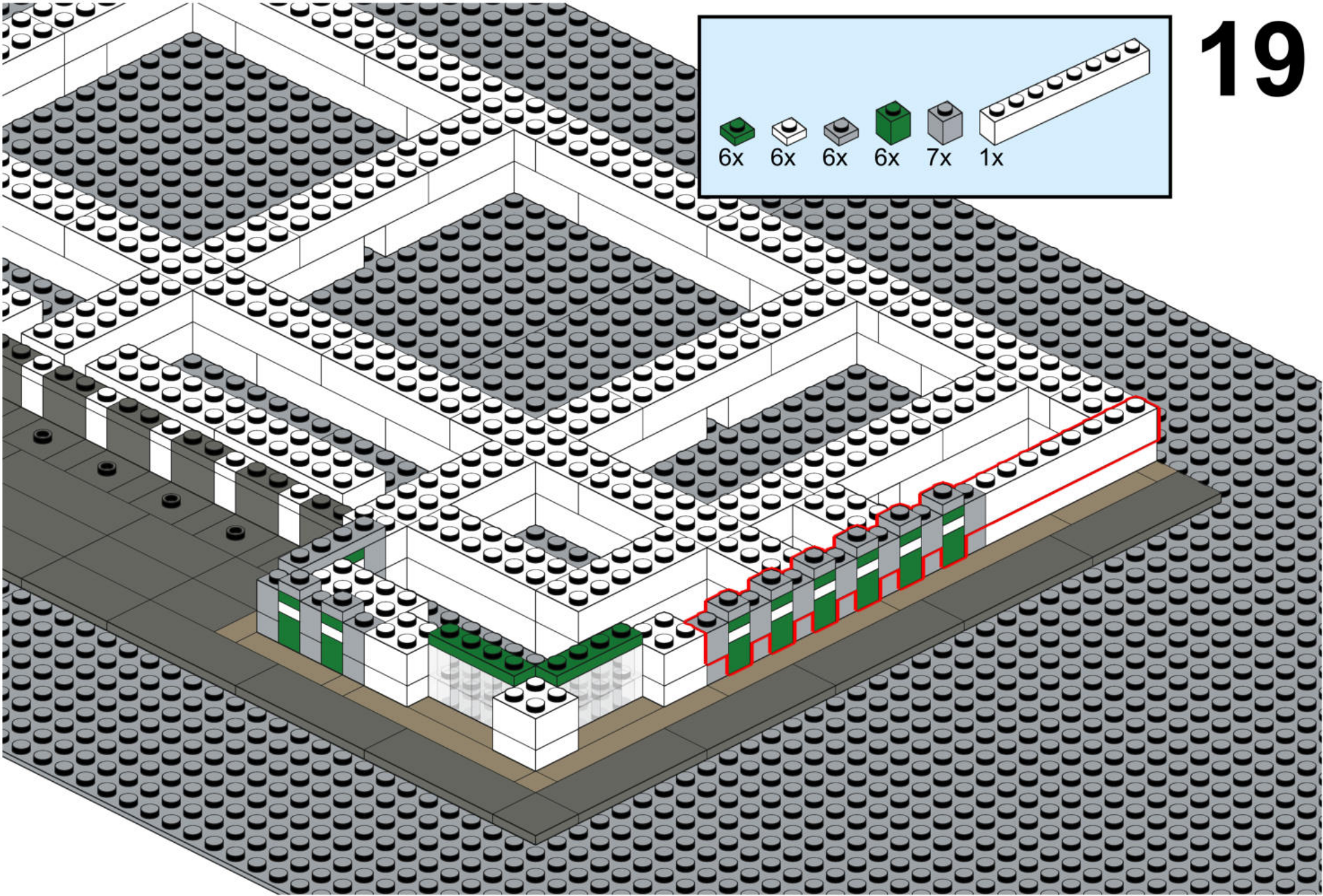
# 18



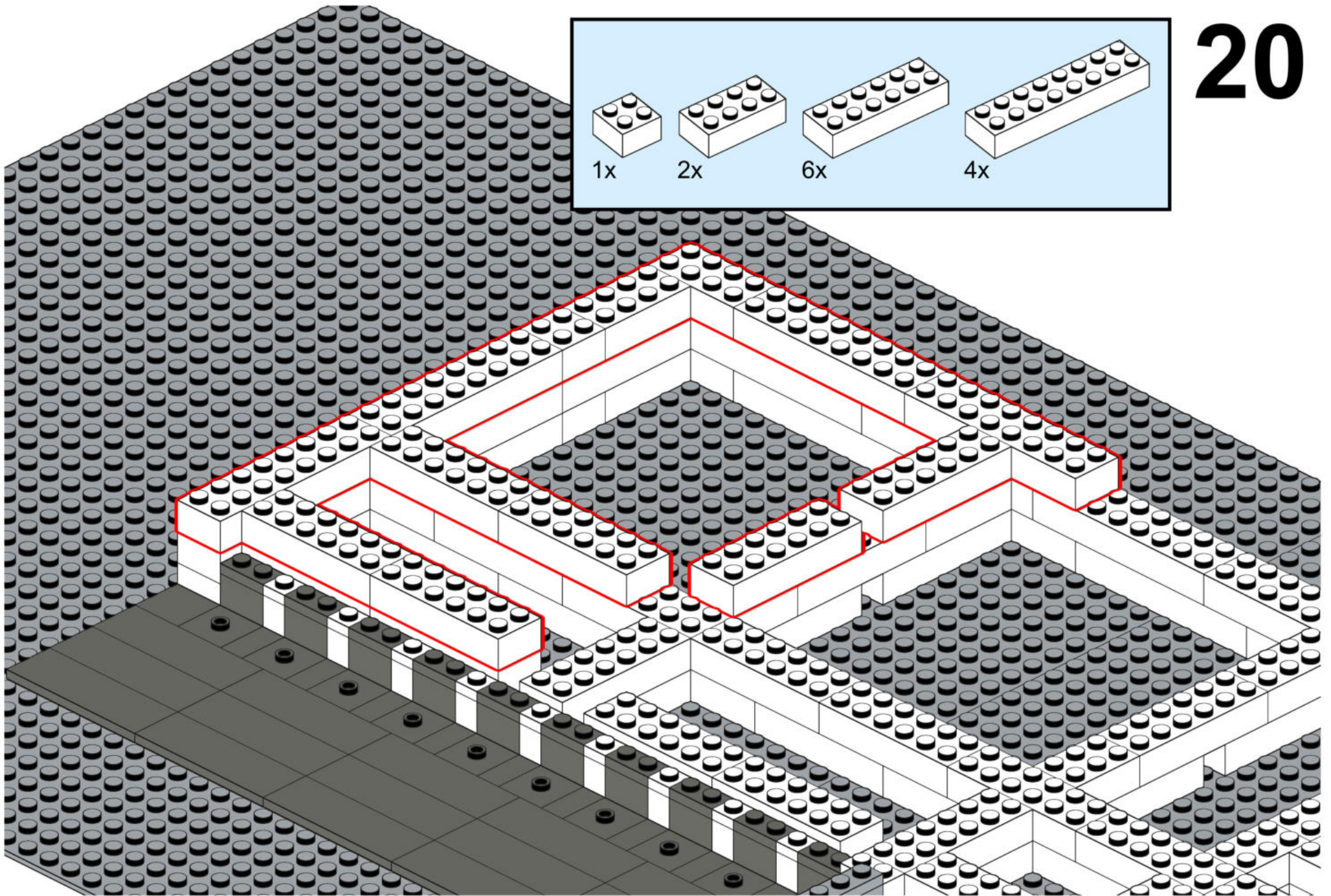
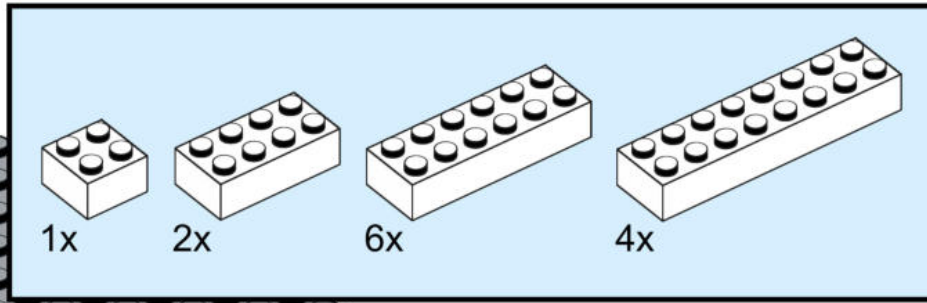
8x 2x 3x

This inset box lists the required parts for step 18: 8 white 1x1 Technic bricks, 2 green 1x3 Technic Technaxx Technic axles, and 3 white 1x3 Technic Technaxx Technic axles.

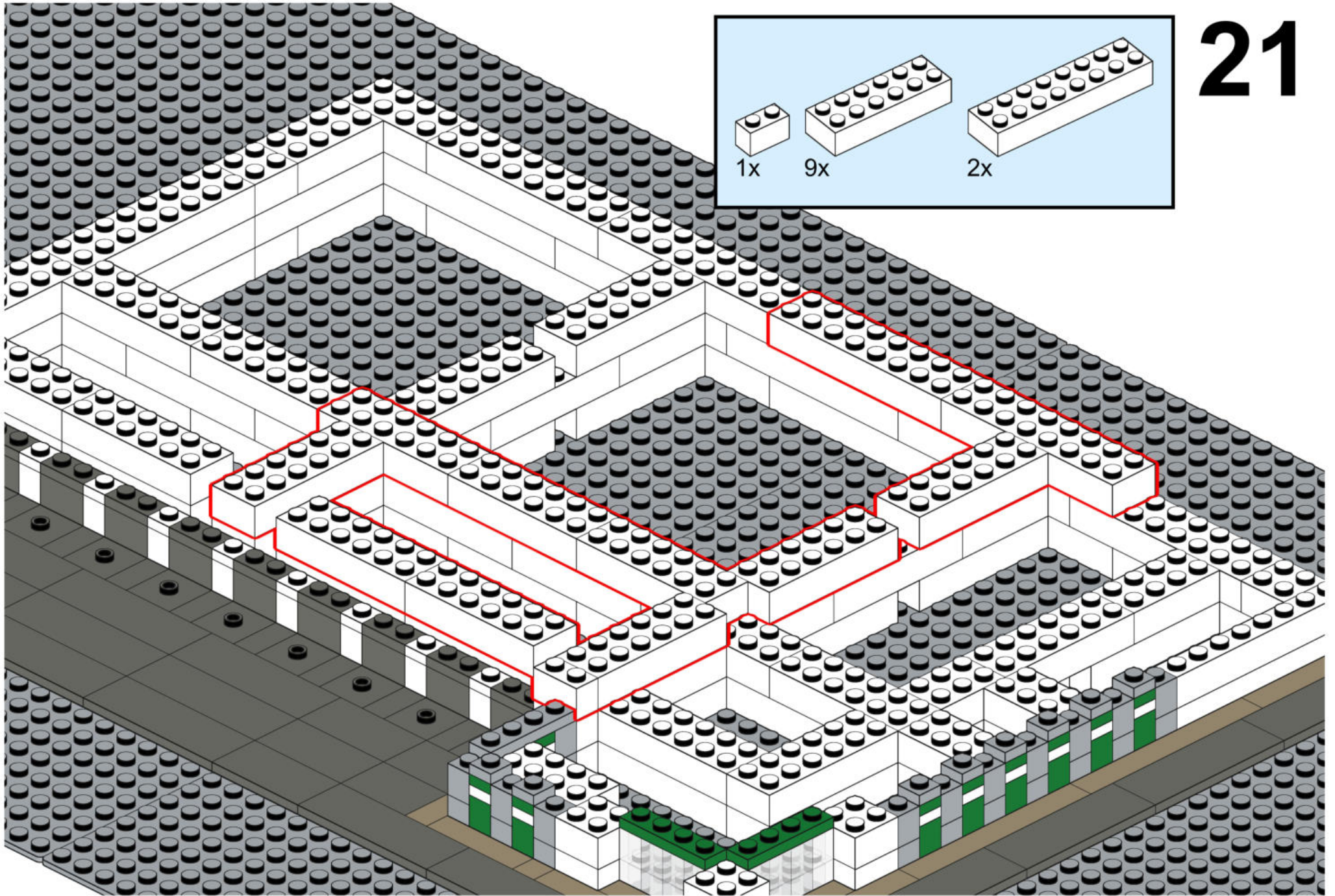
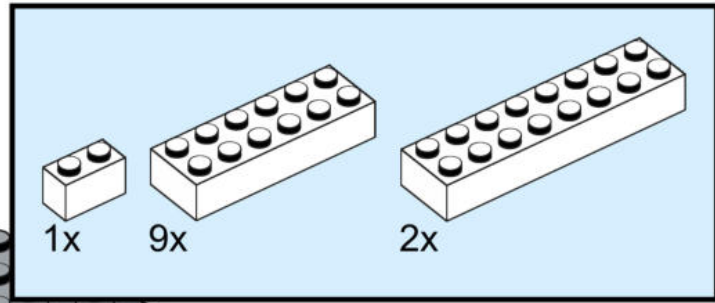


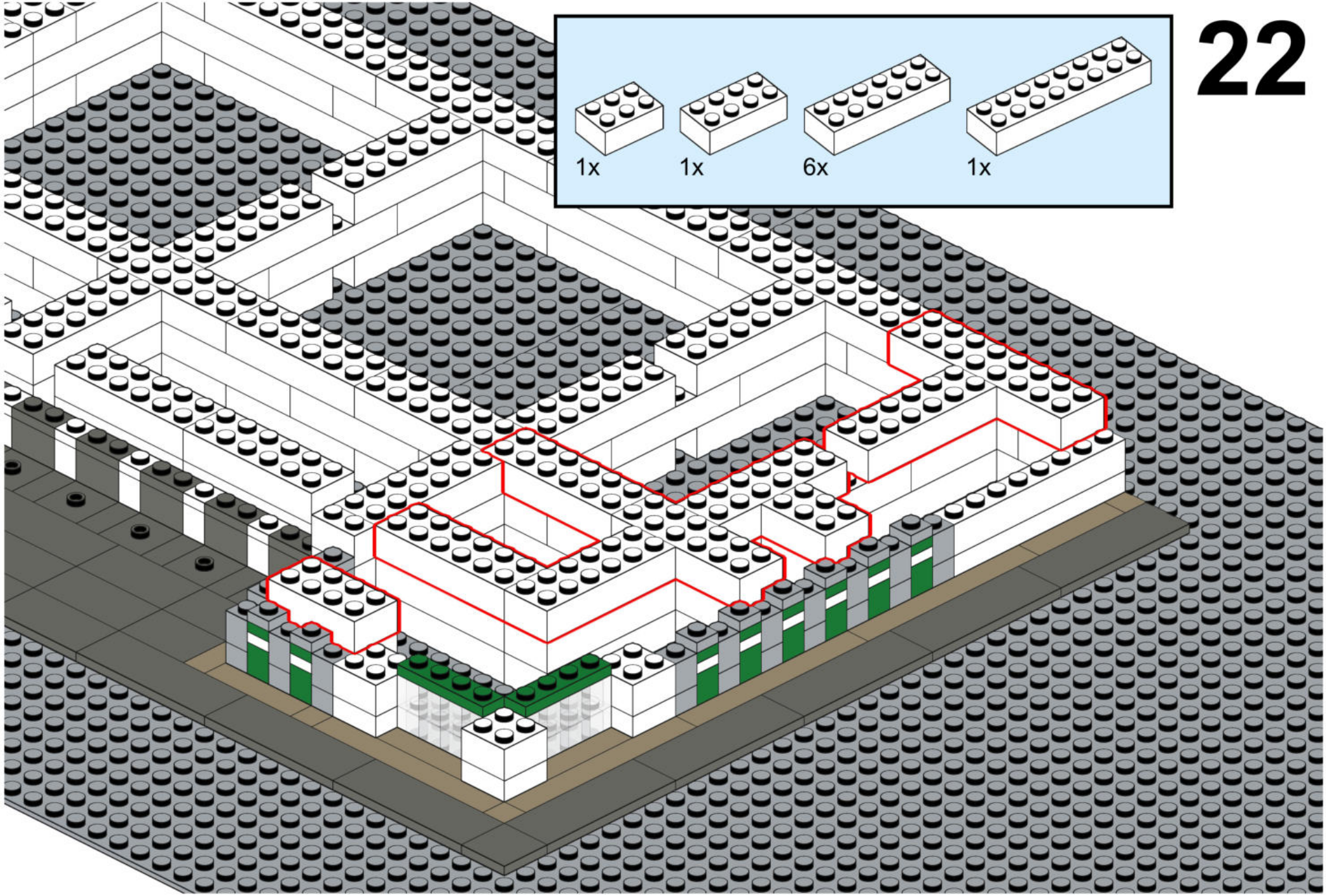
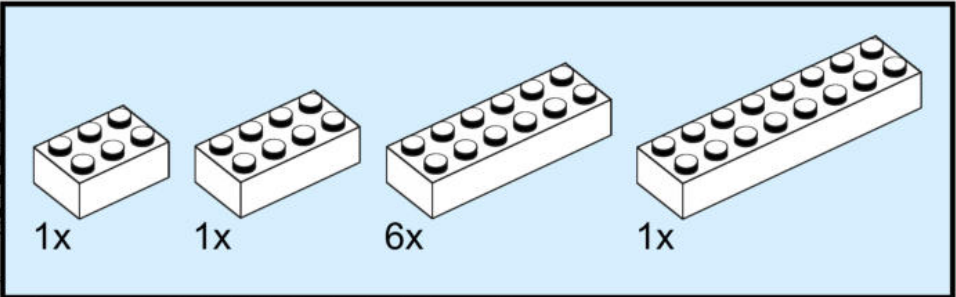


# 20

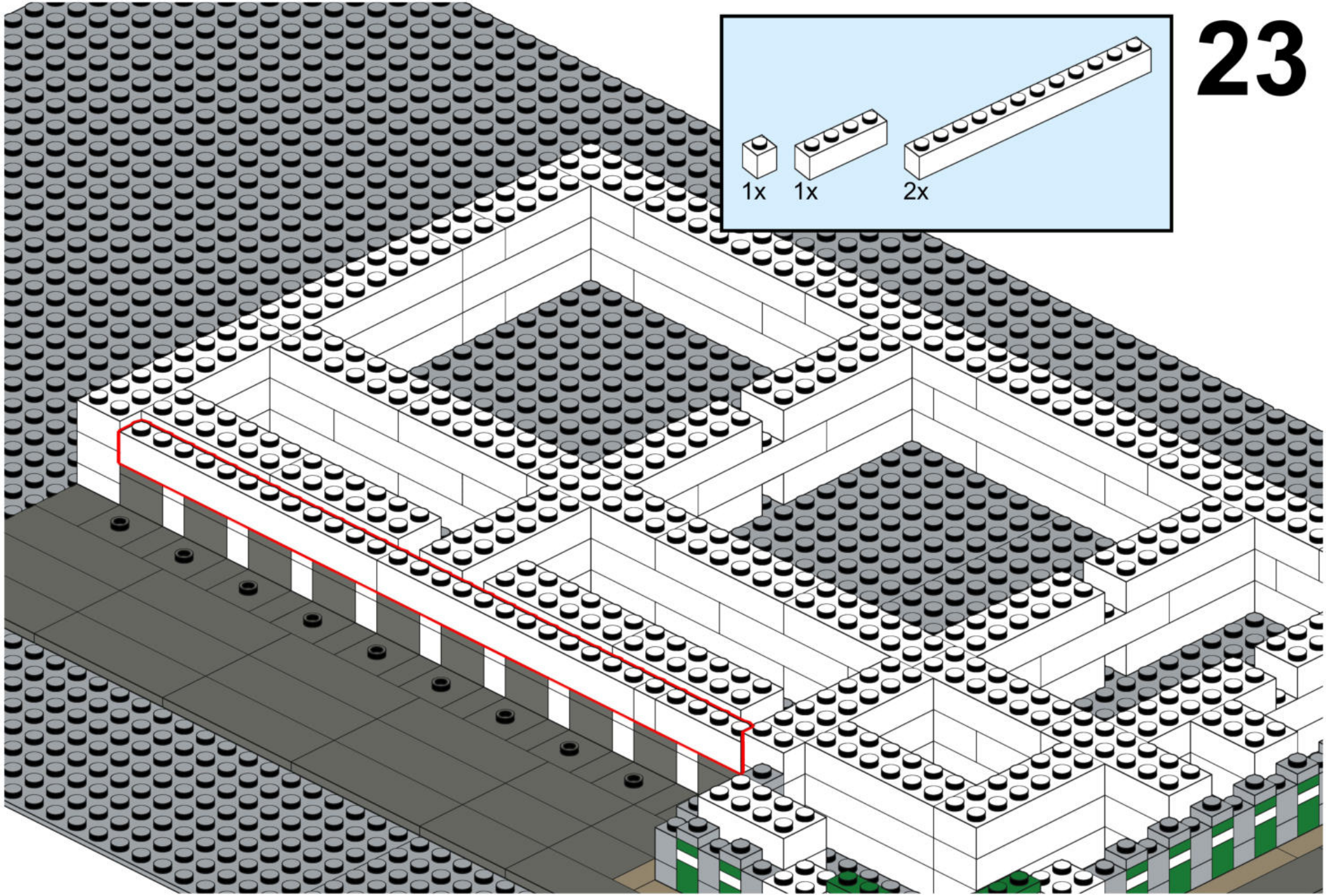
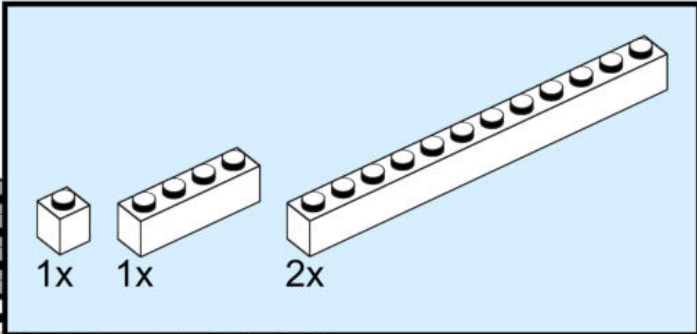


# 21



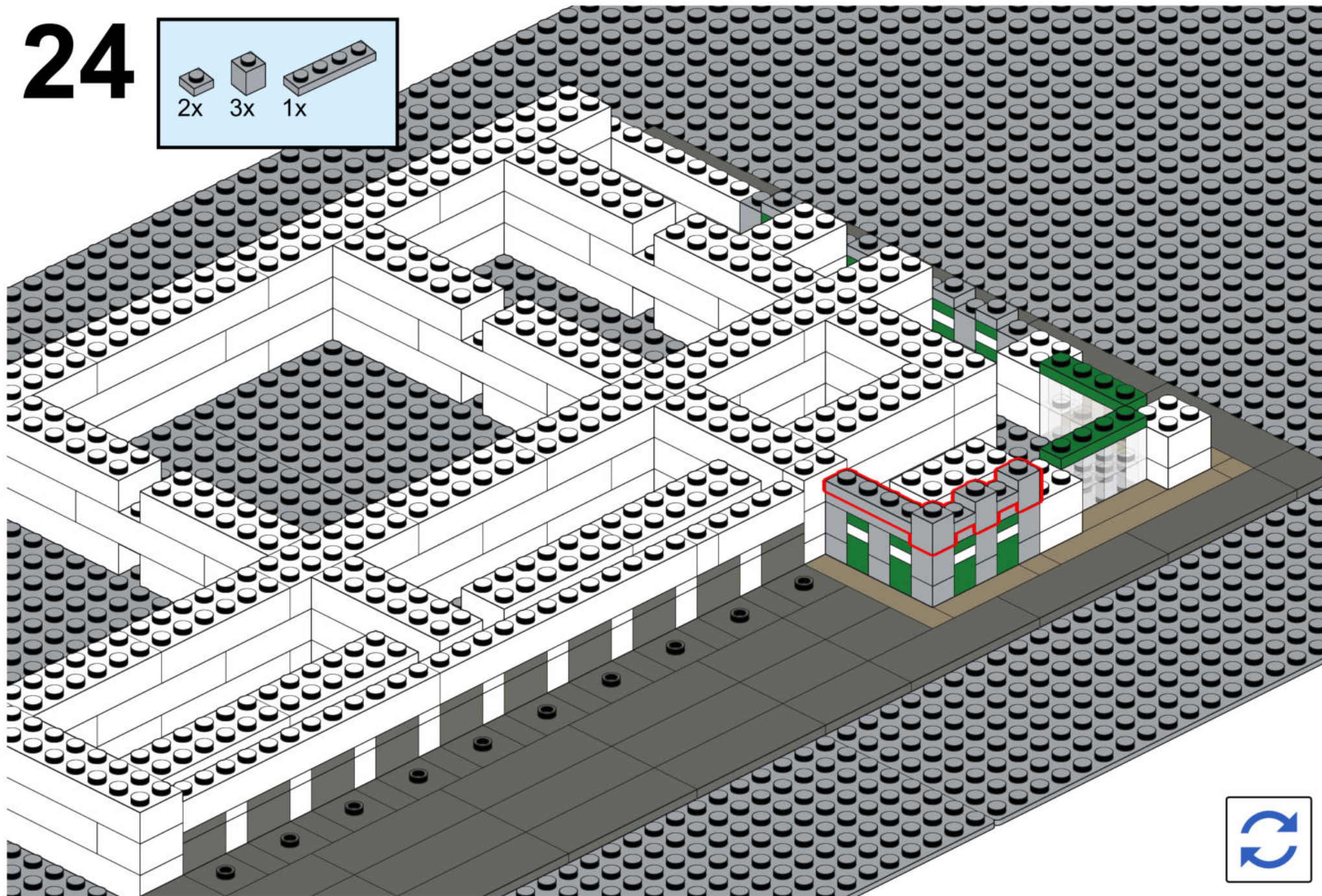
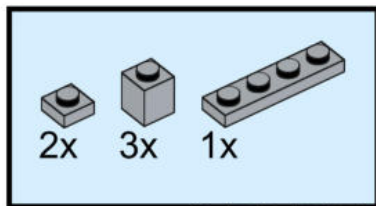


# 23

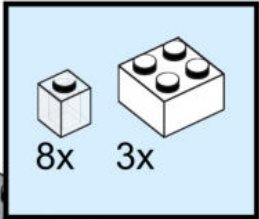




# 24

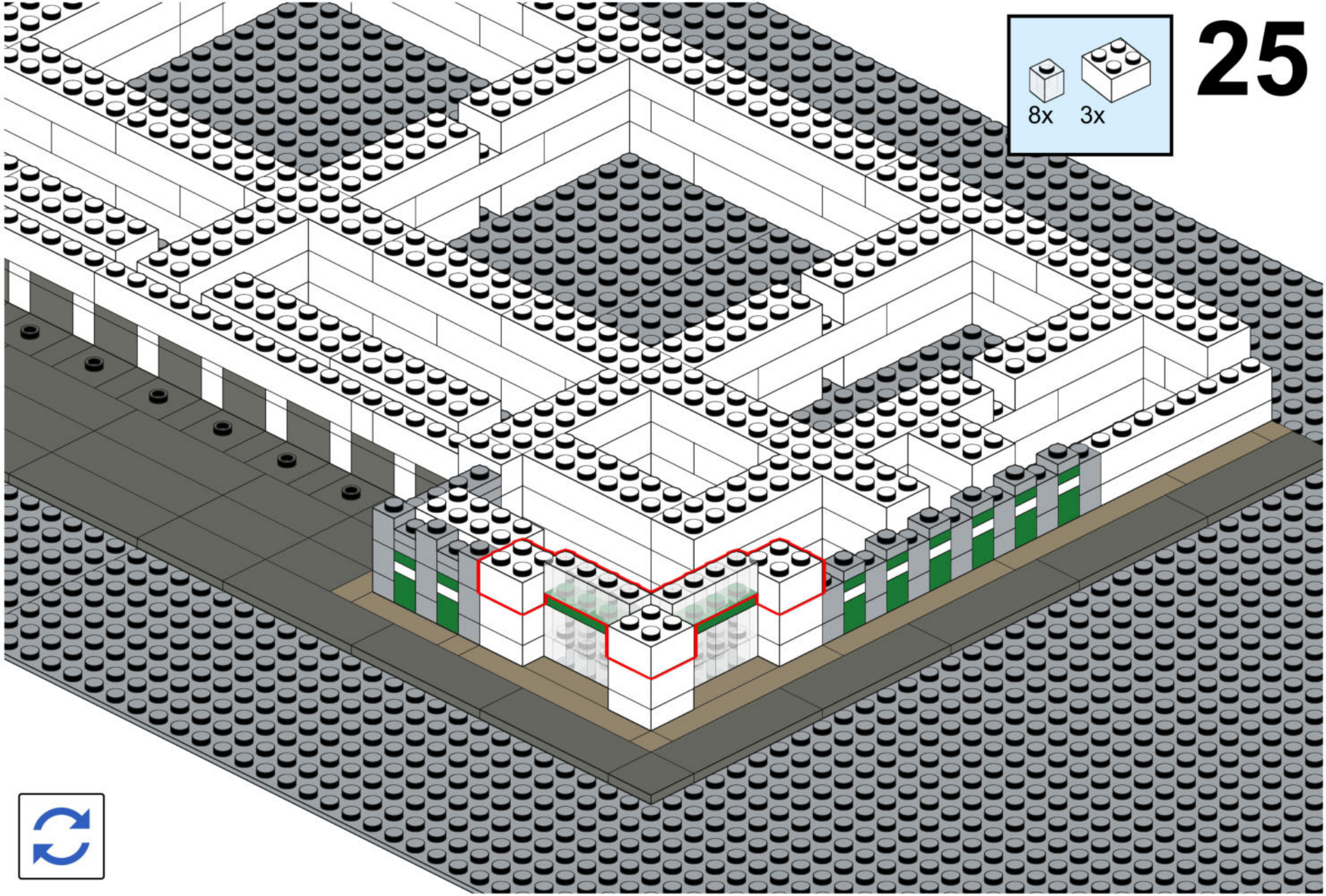


# 25

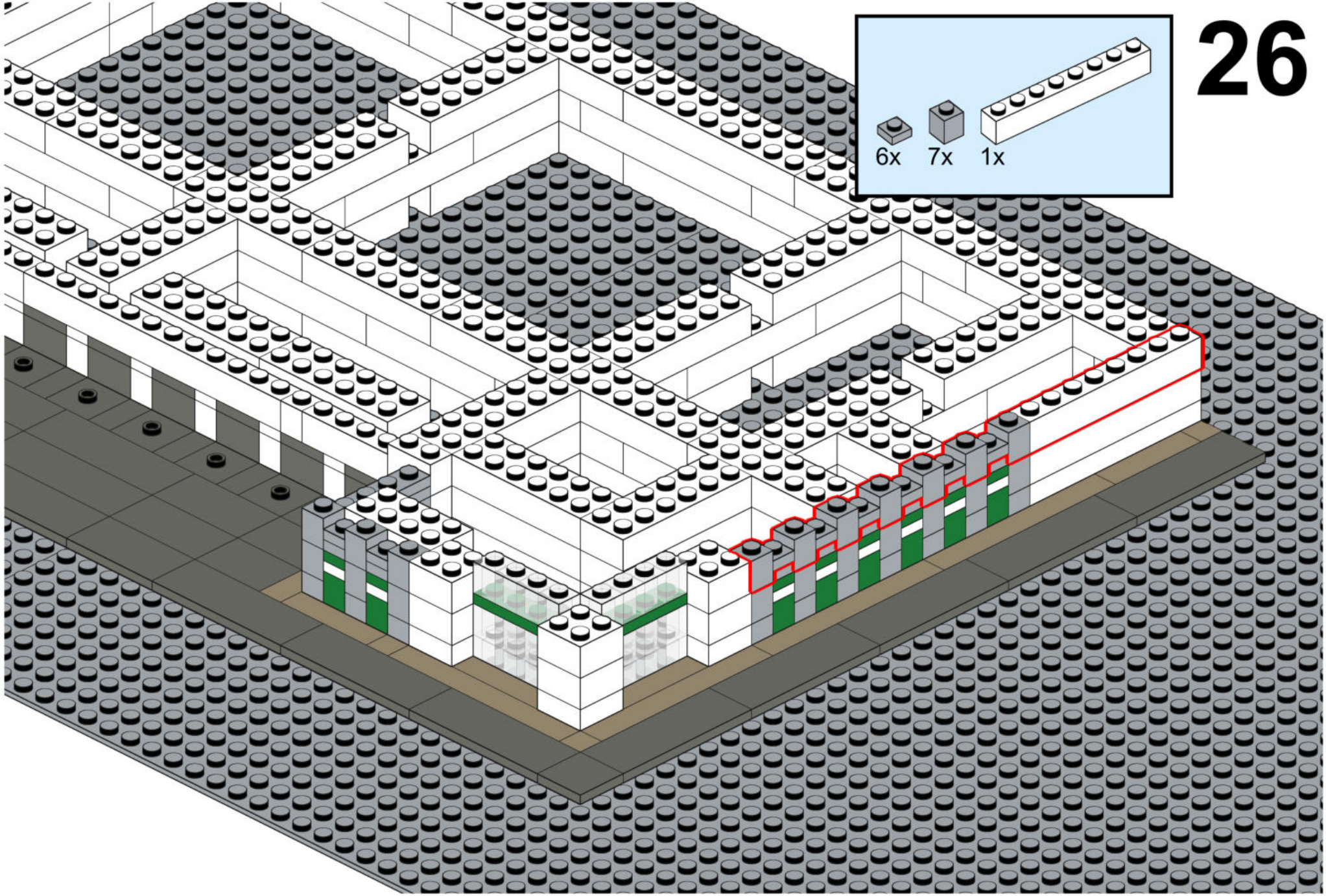


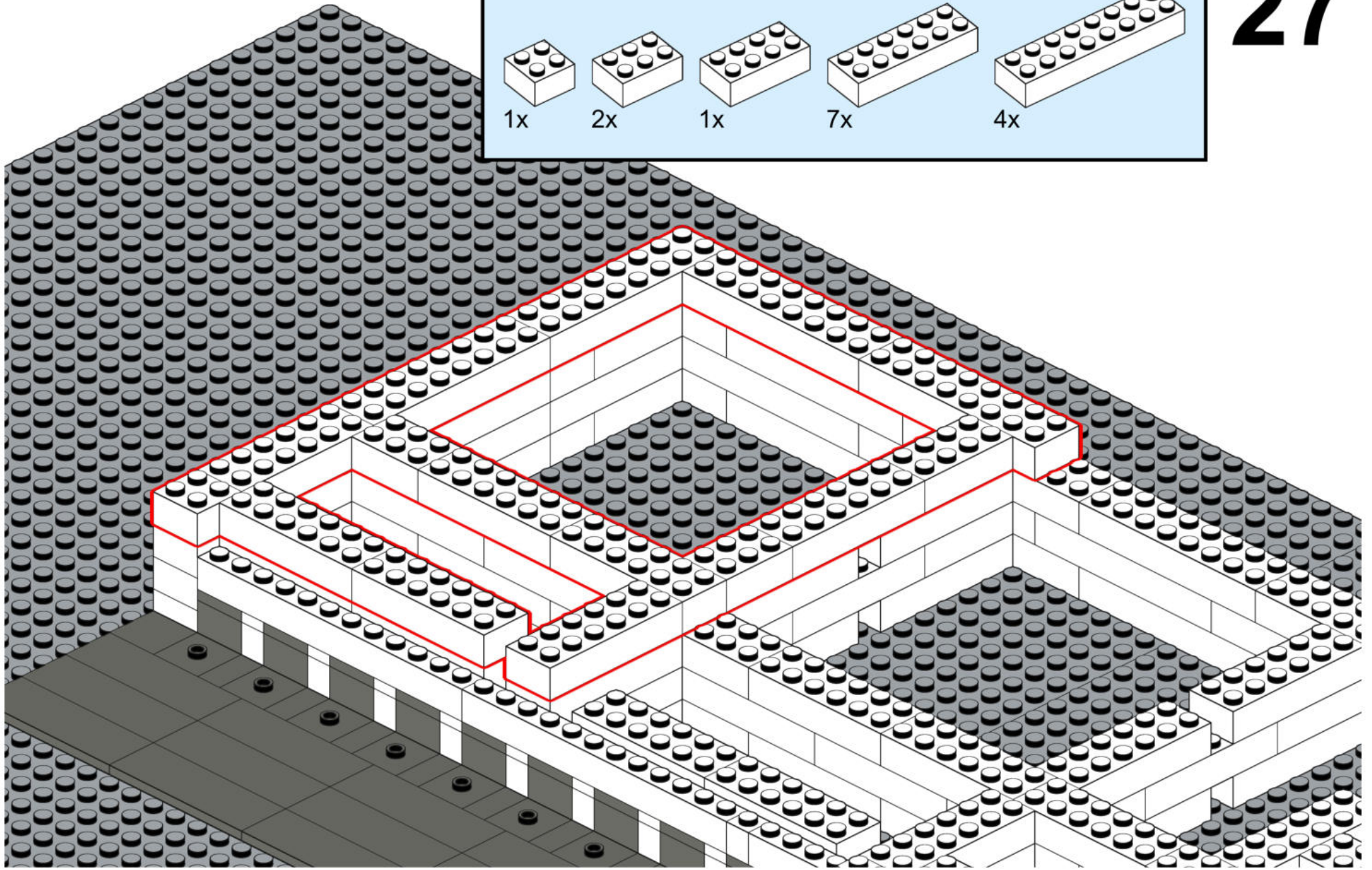
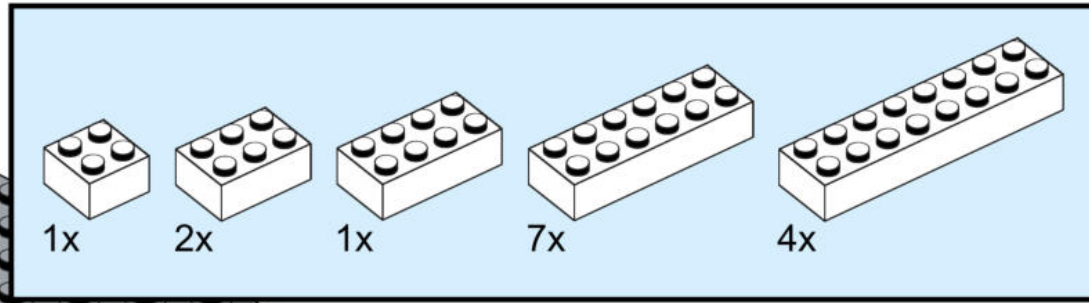
8x 3x

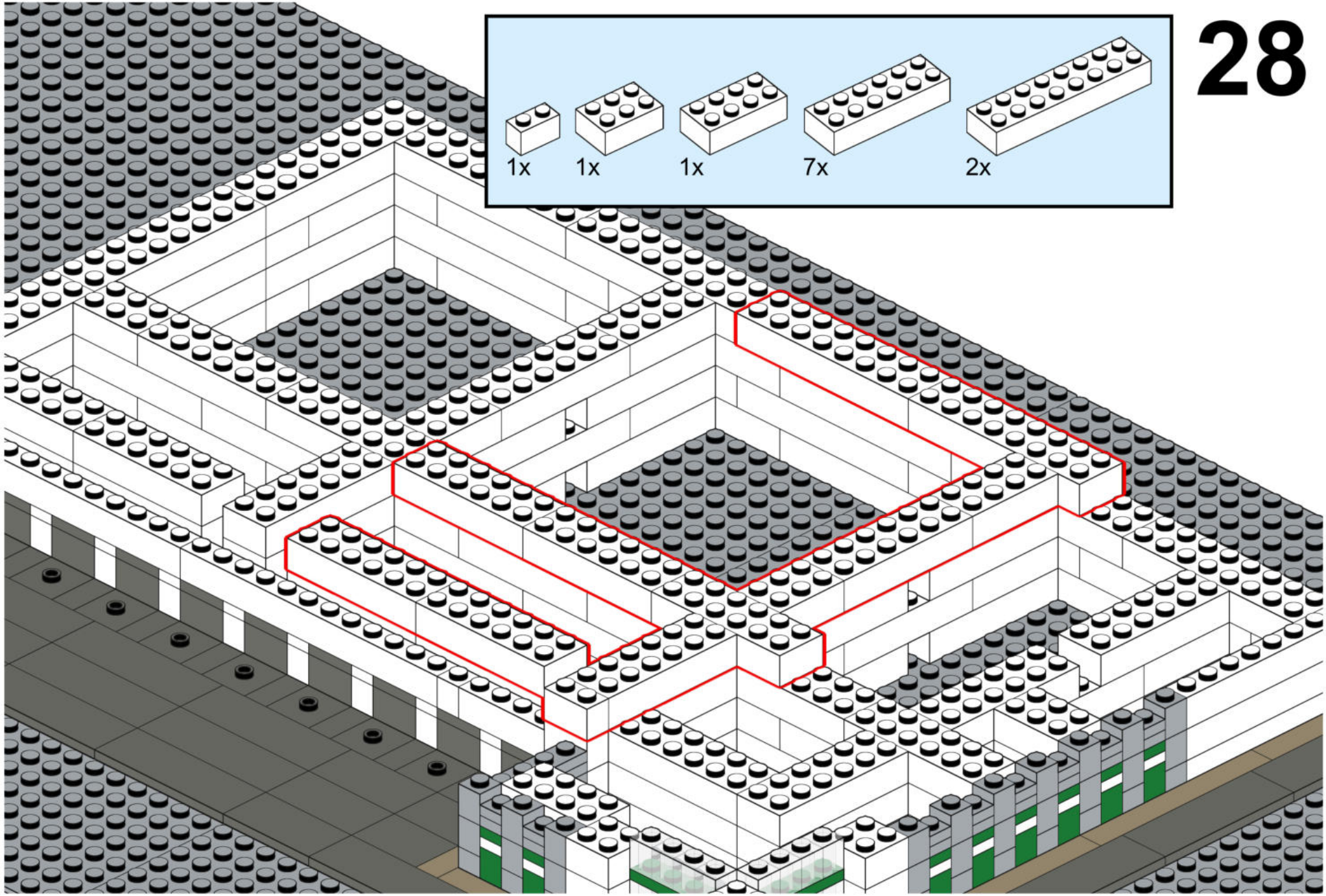
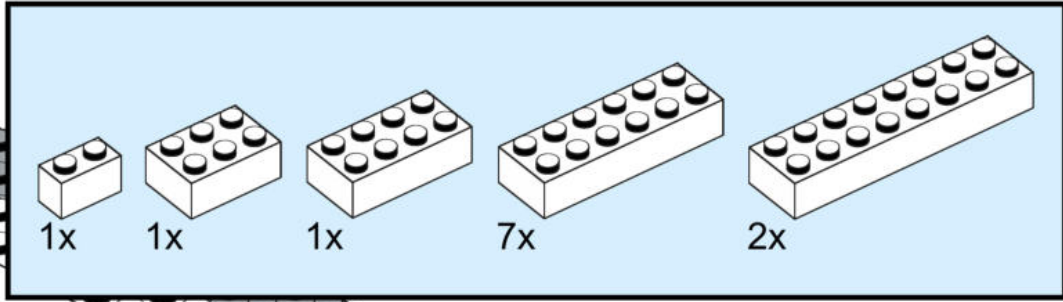
This inset box shows the parts required for step 25: 8 white 1x1 Technic bricks and 3 white 1x3 Technic bricks.

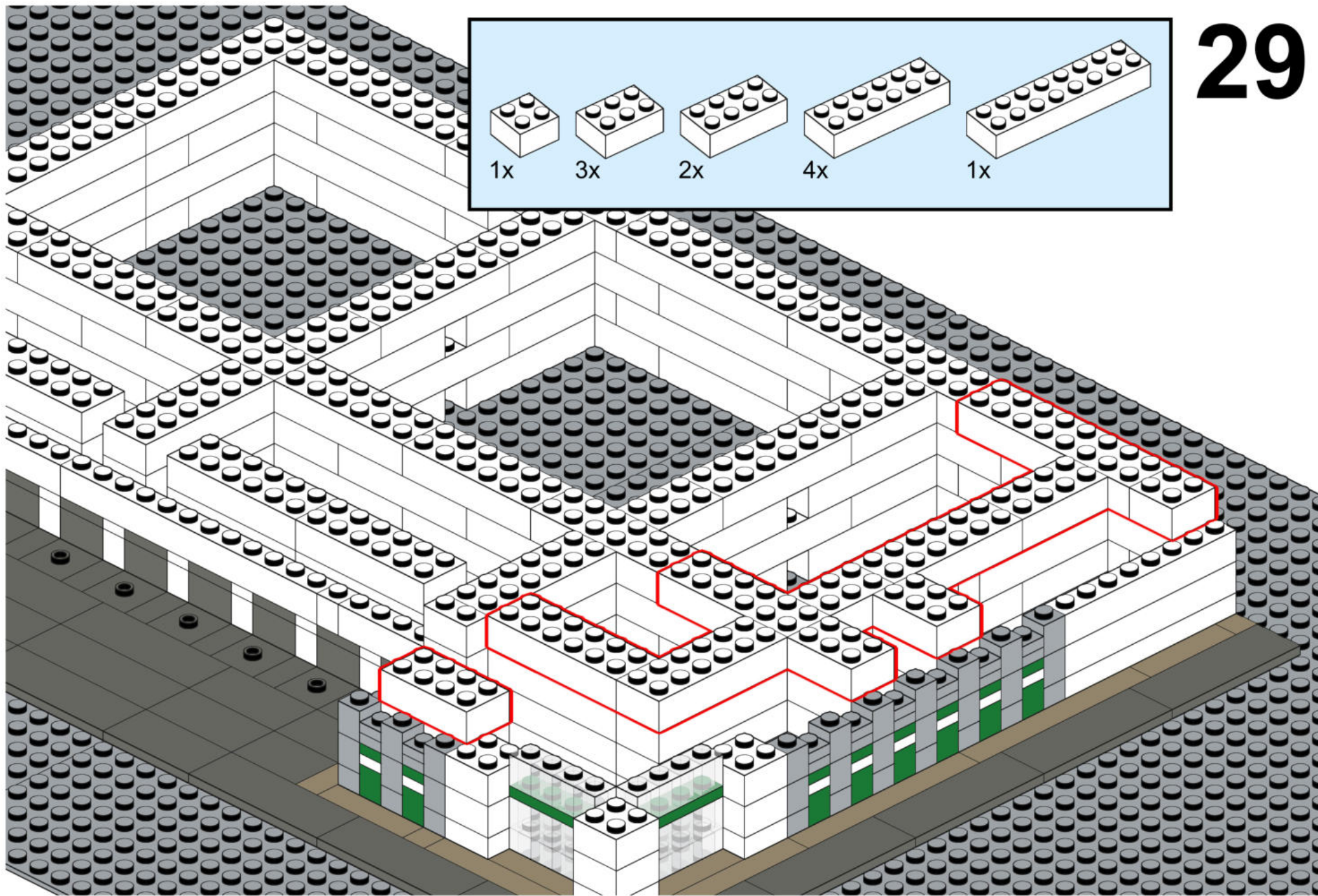
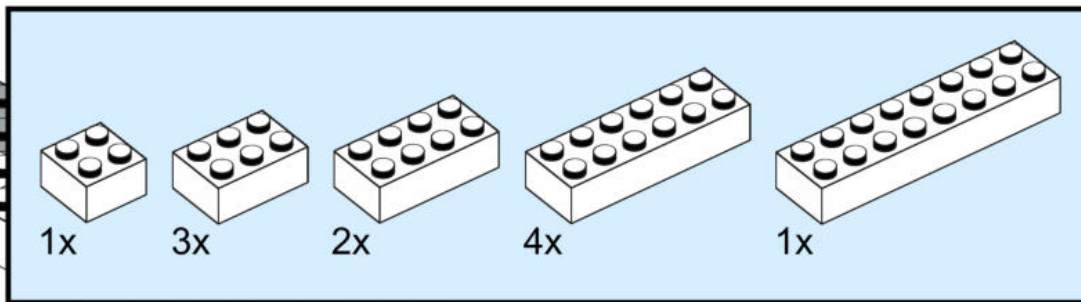


# 26

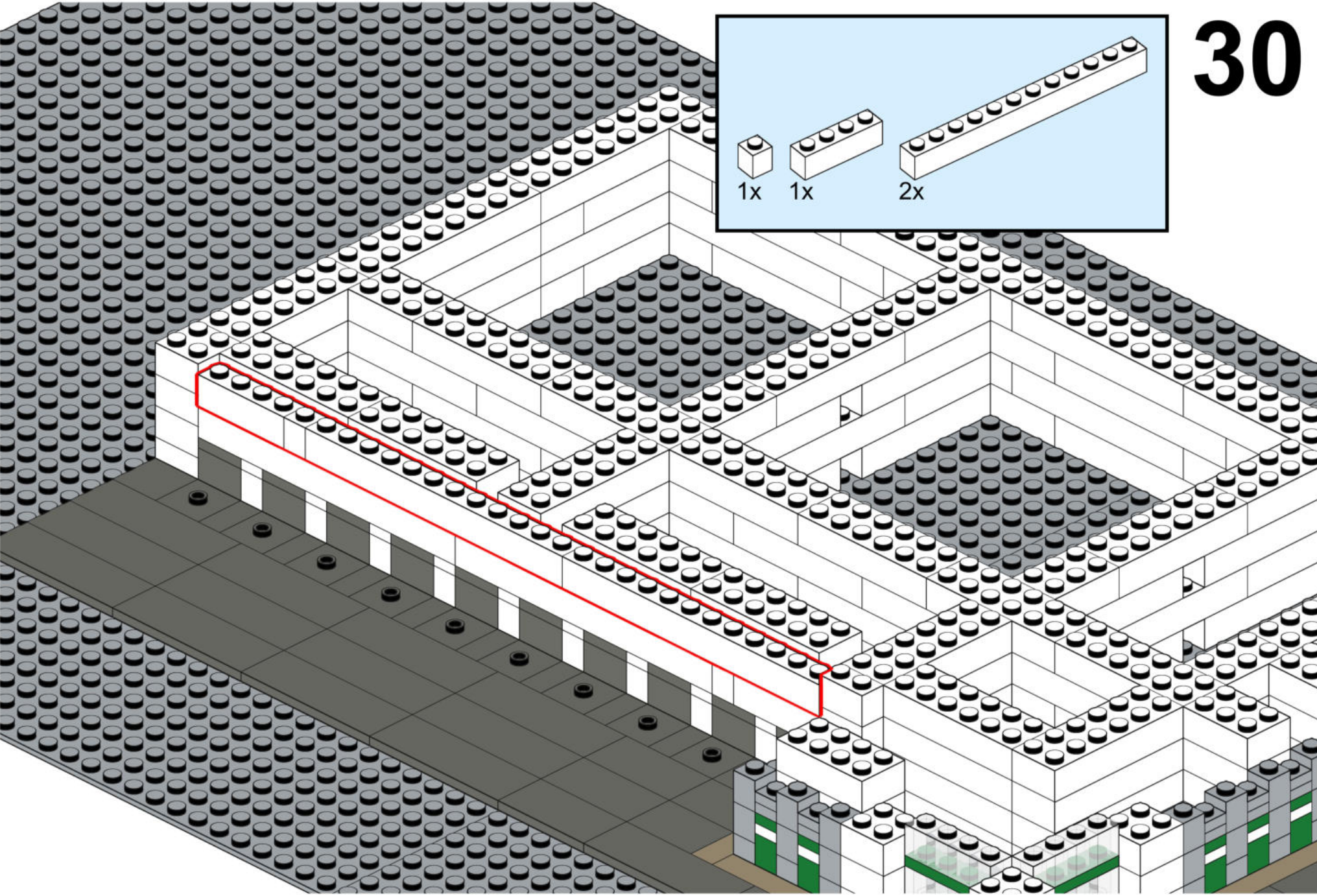
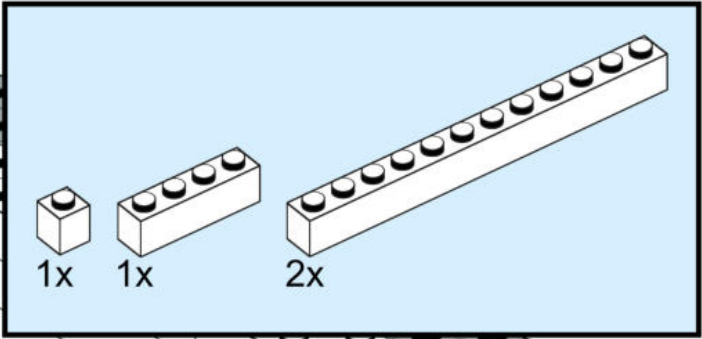




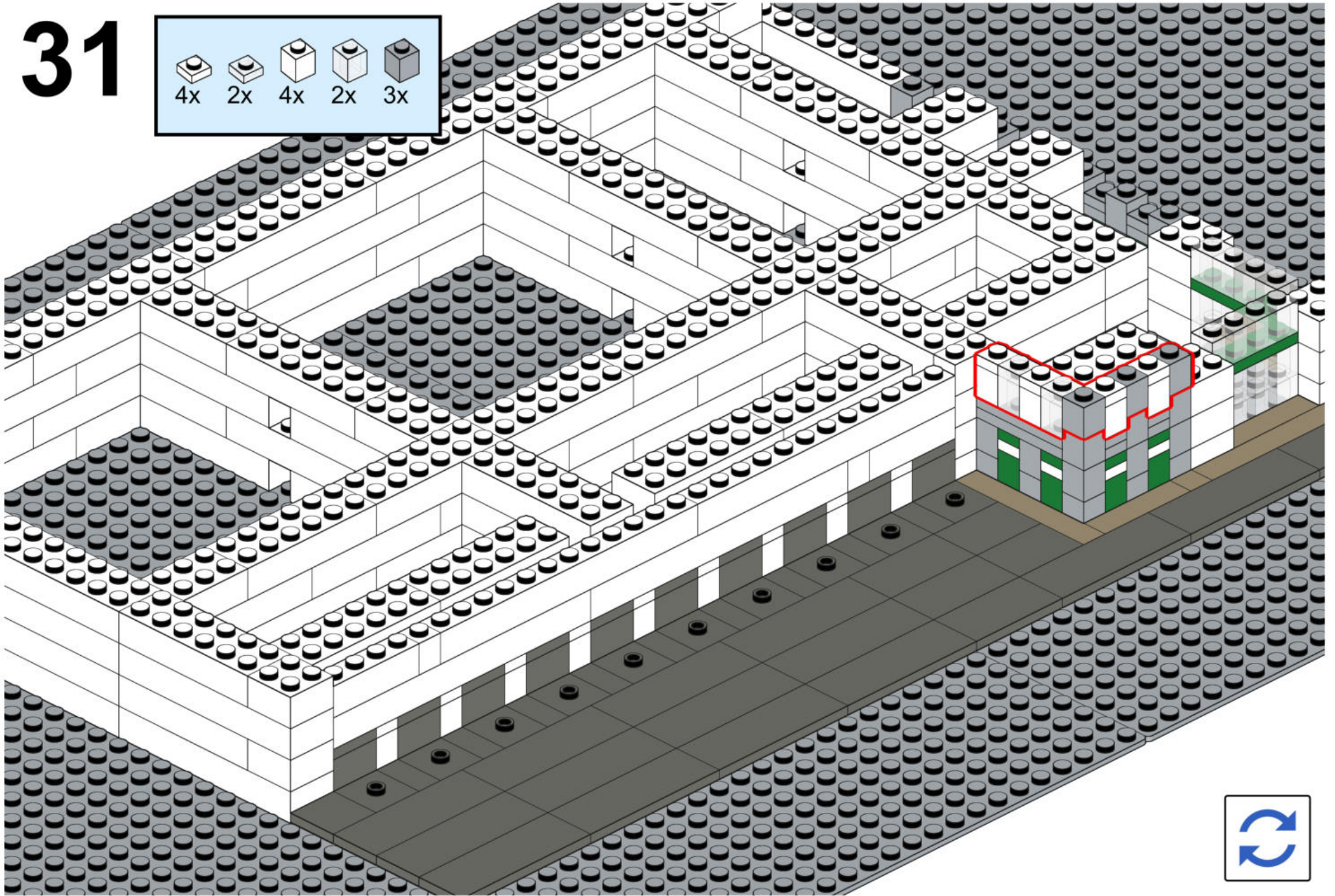
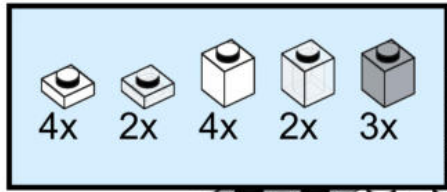




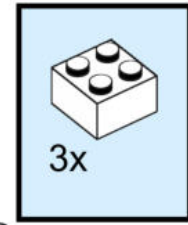
# 30



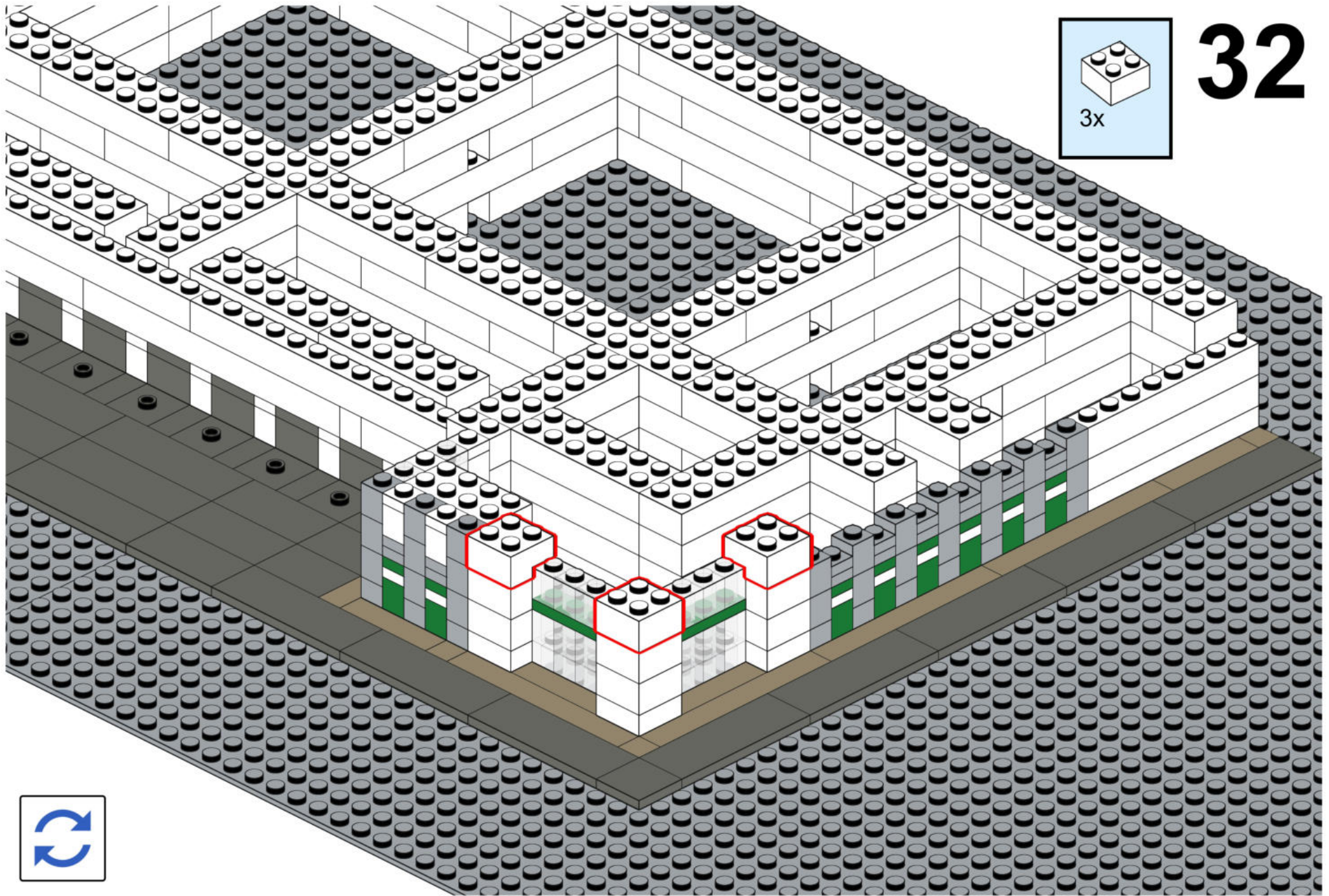
# 31

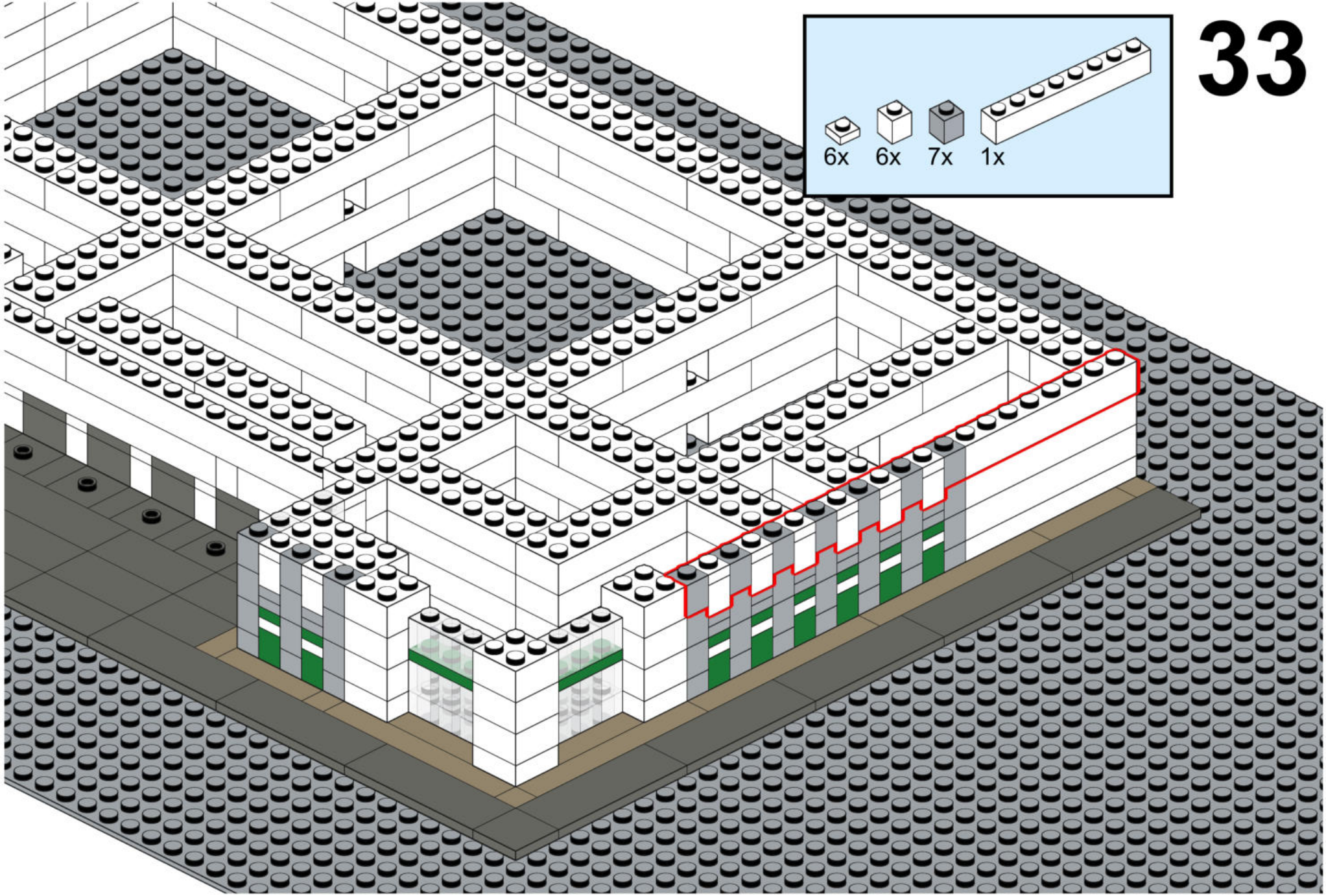


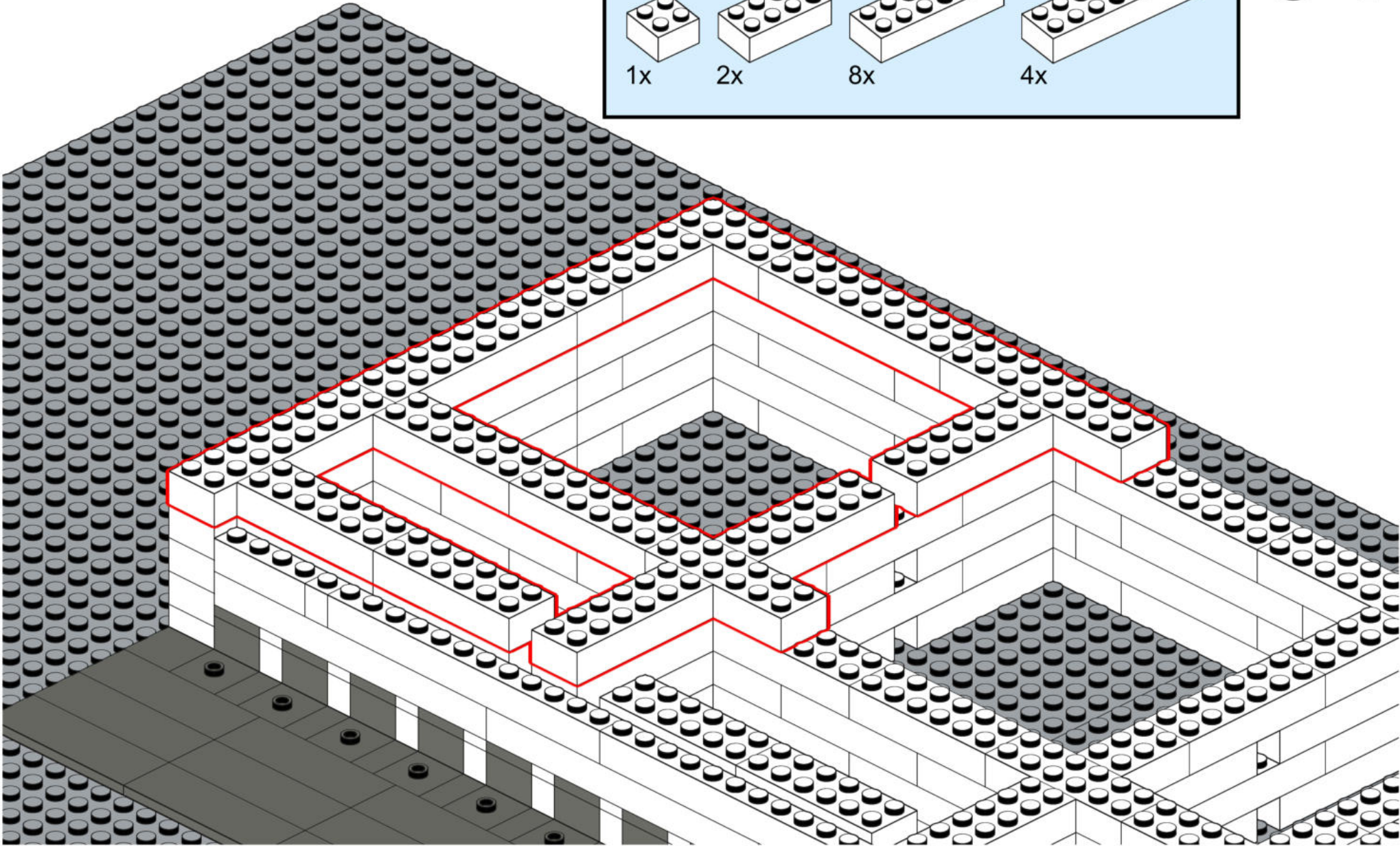
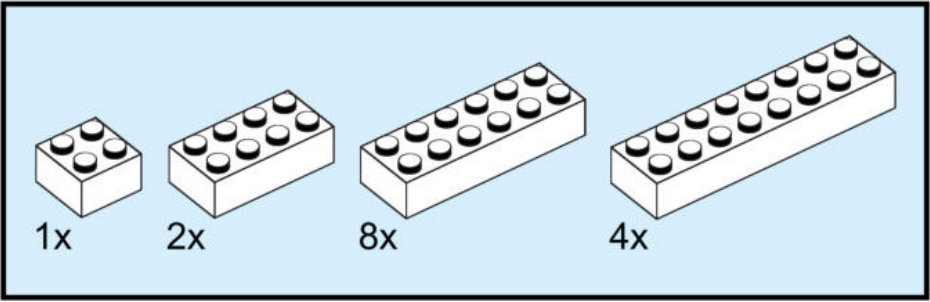


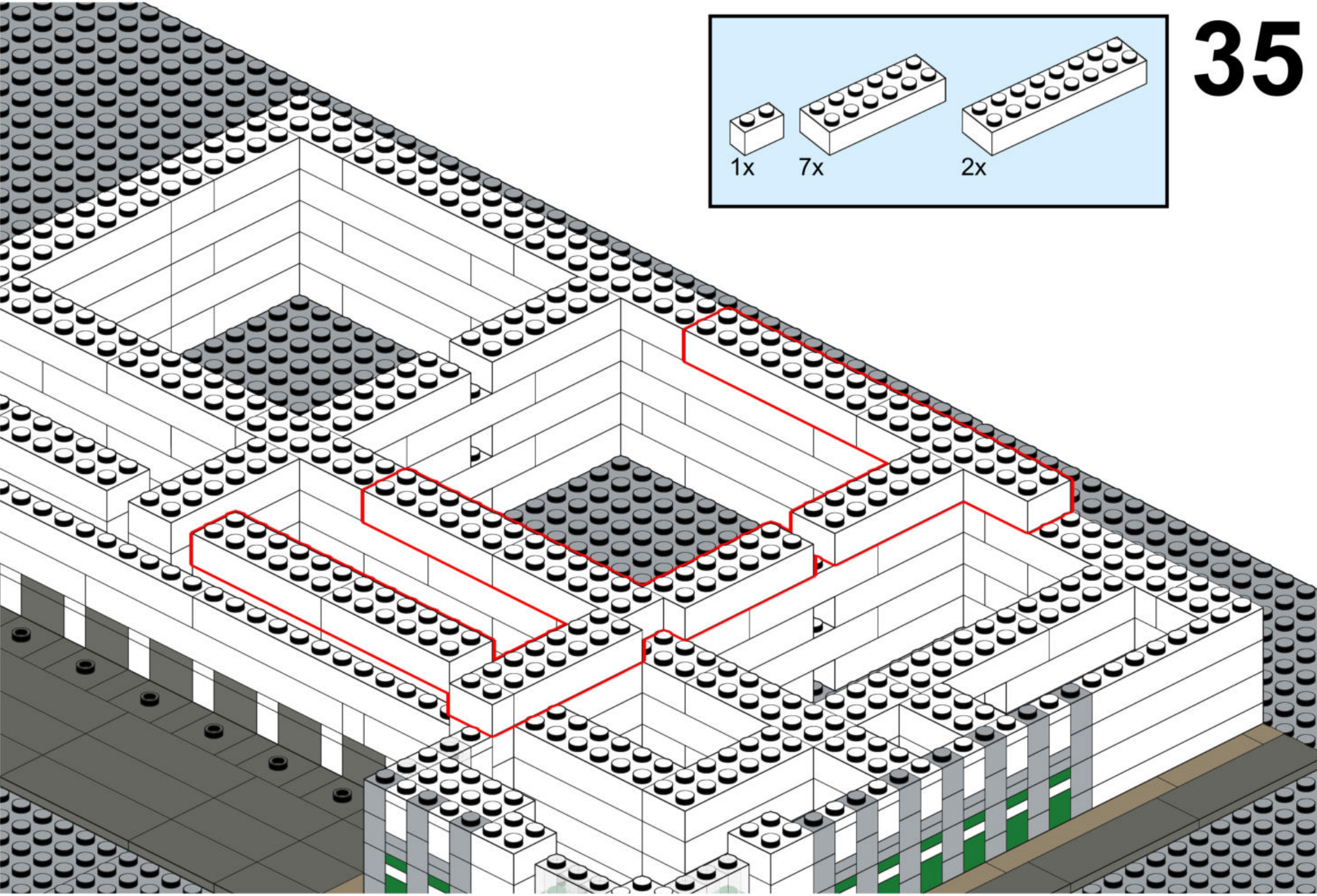
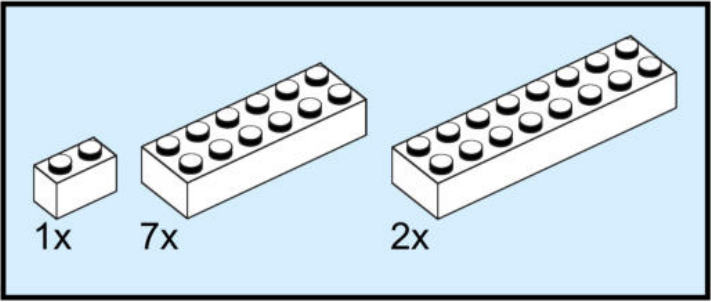


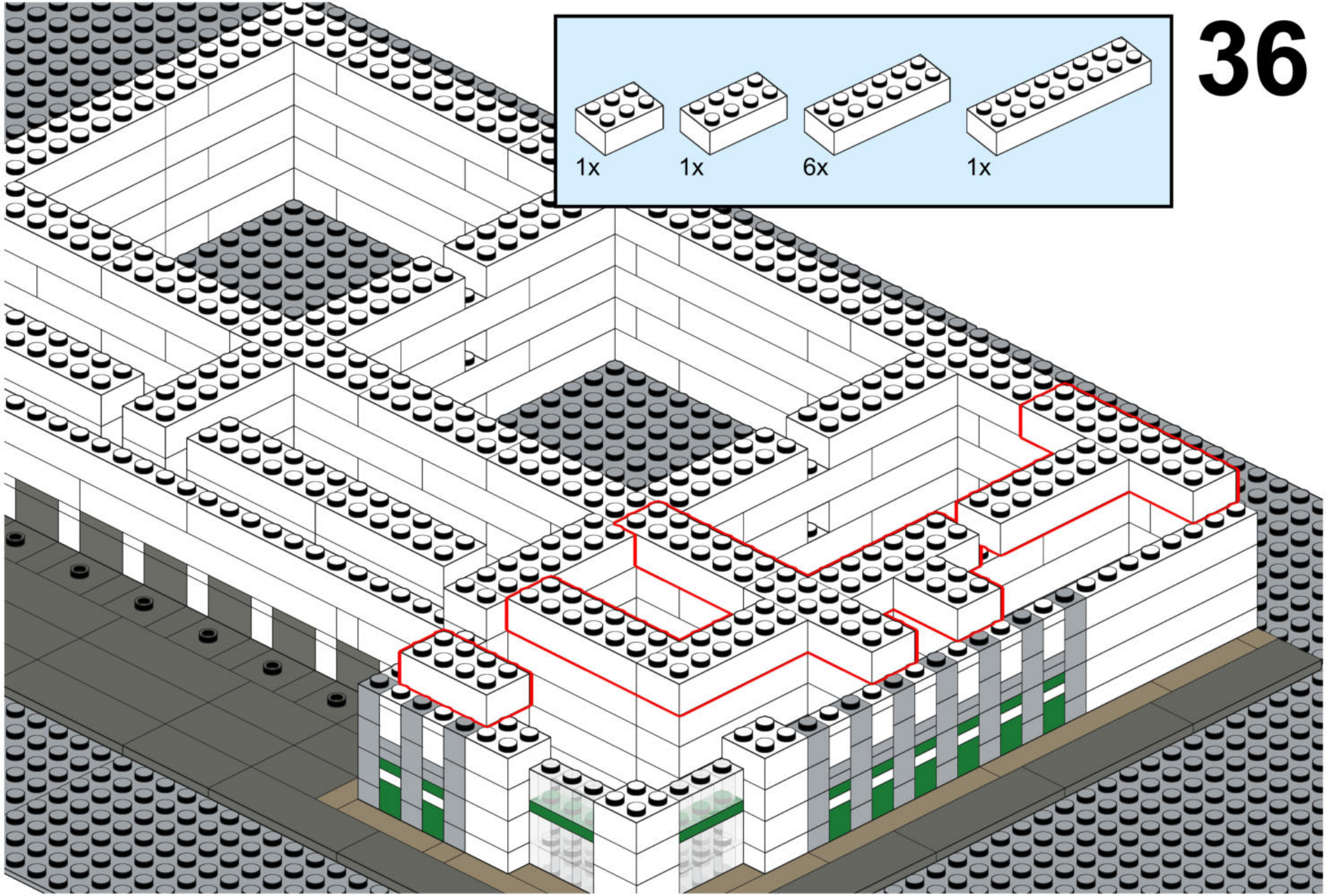
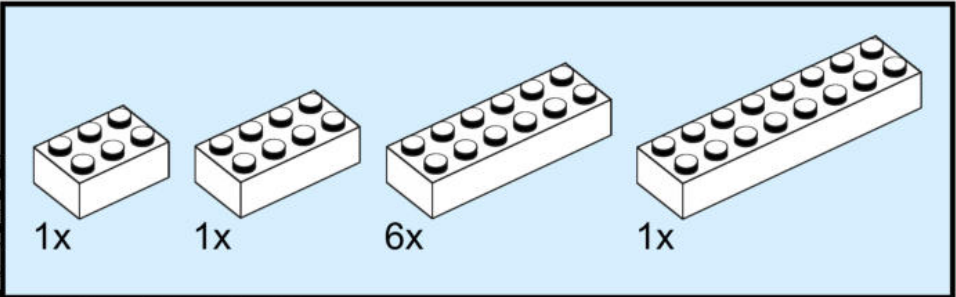
32



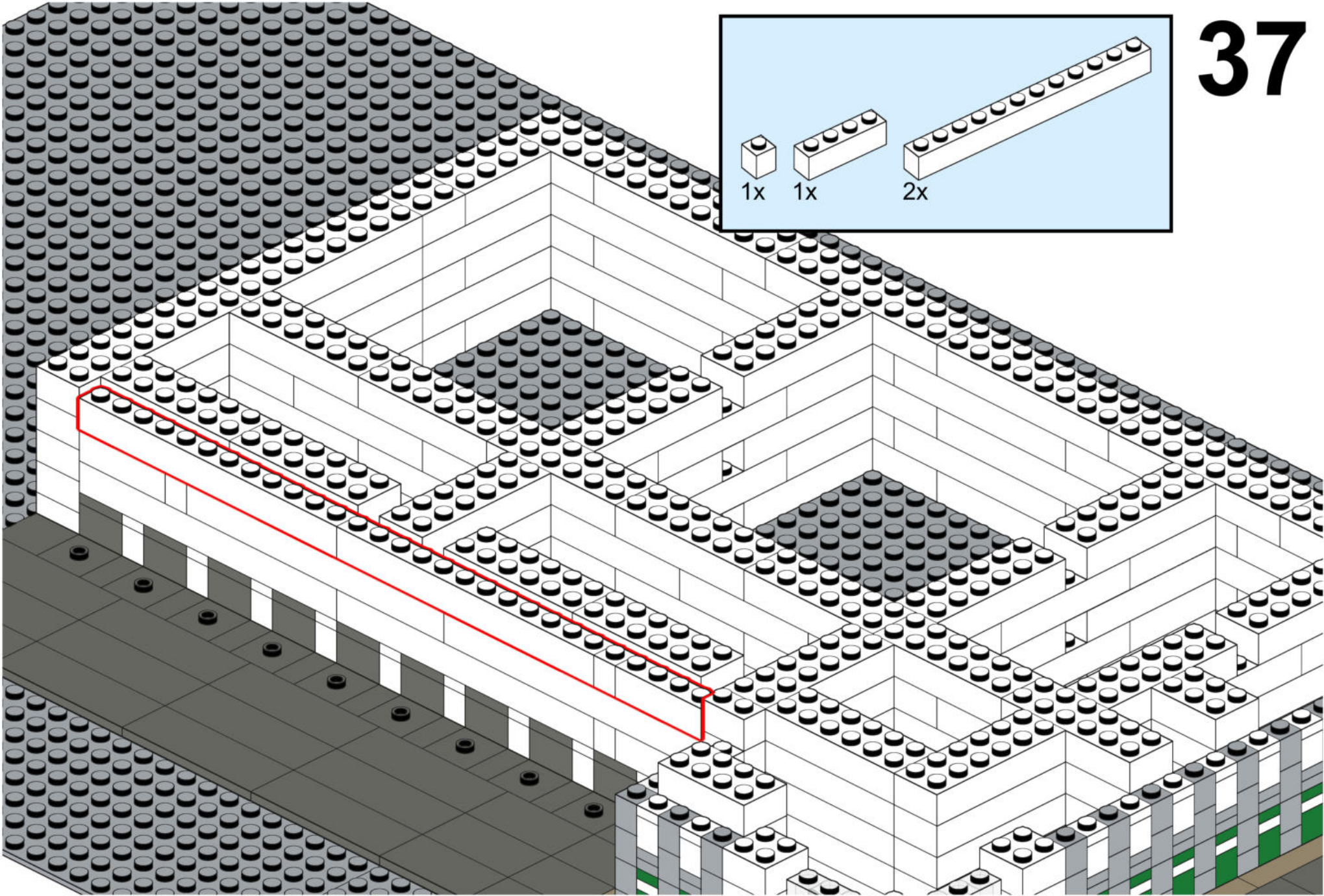
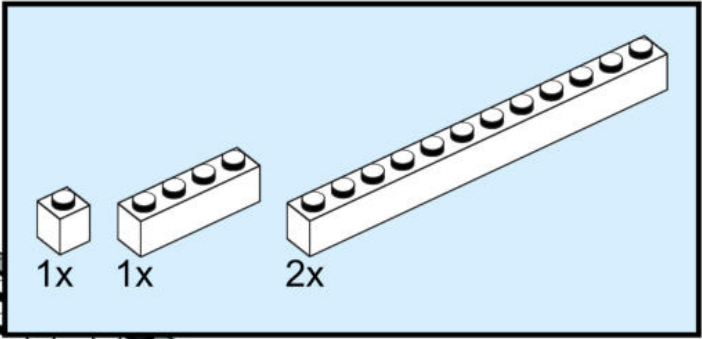




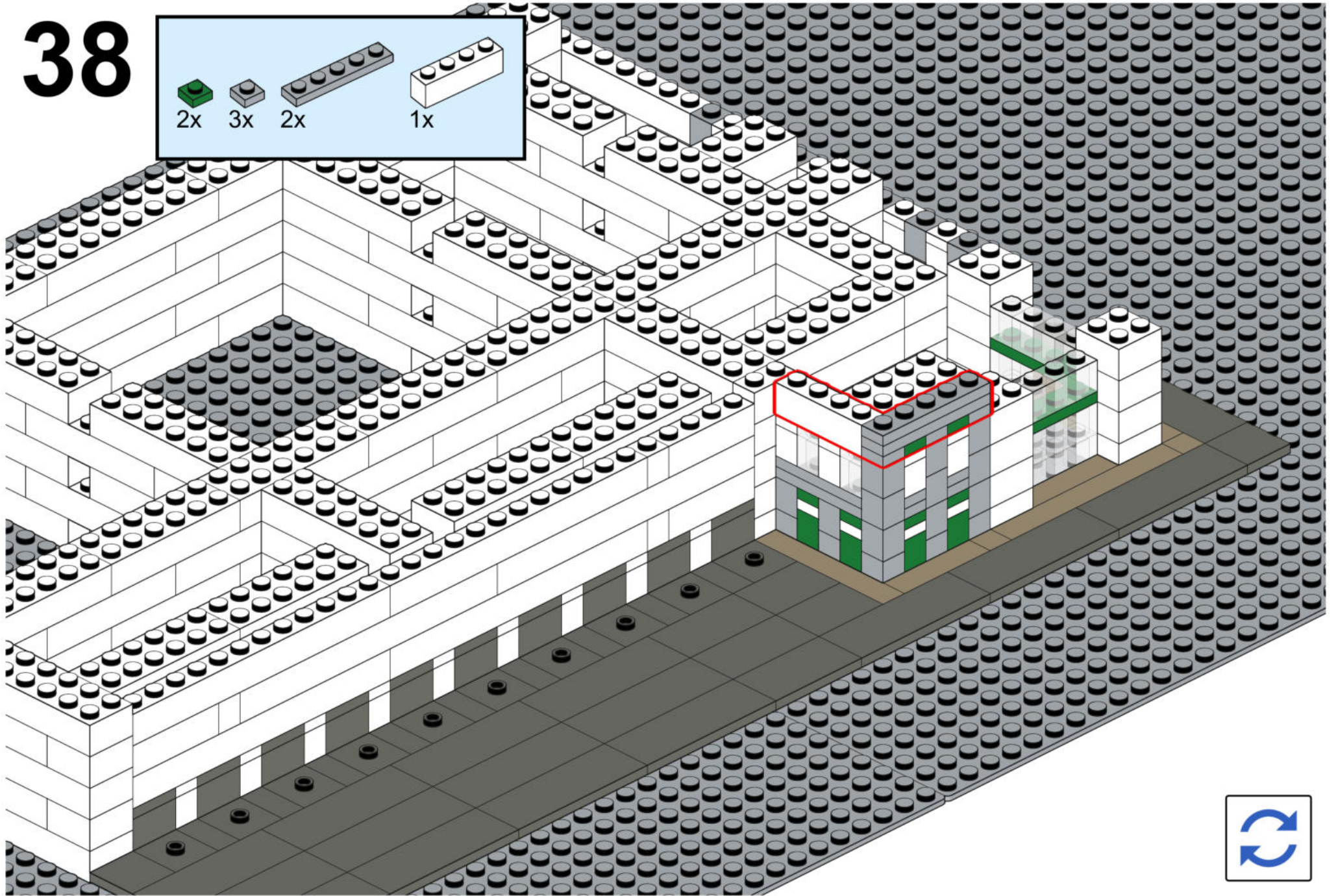
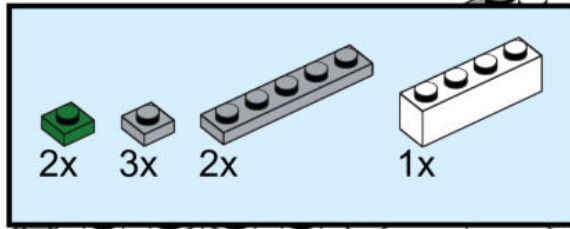


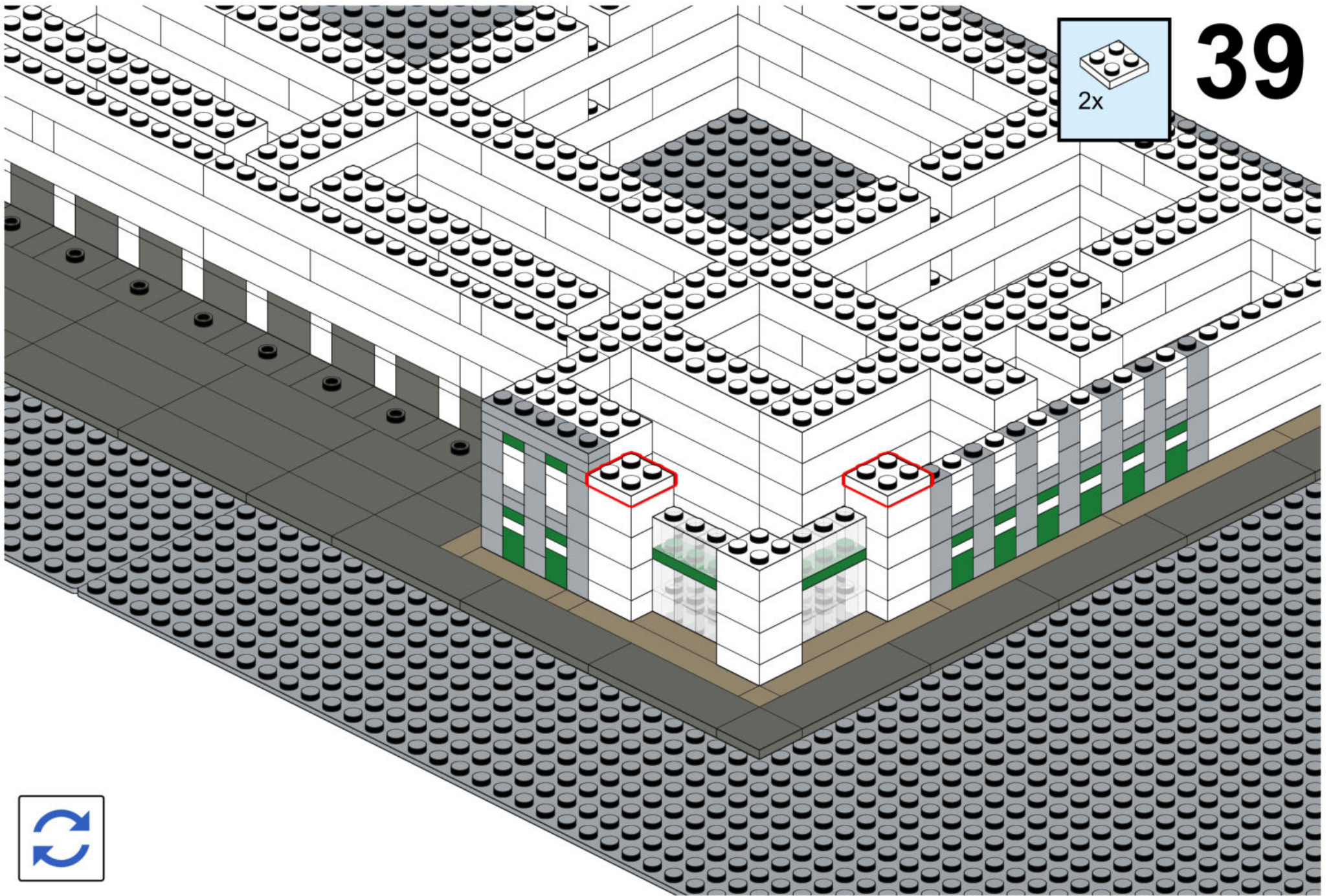


# 37

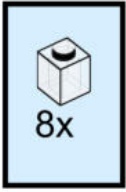


# 38

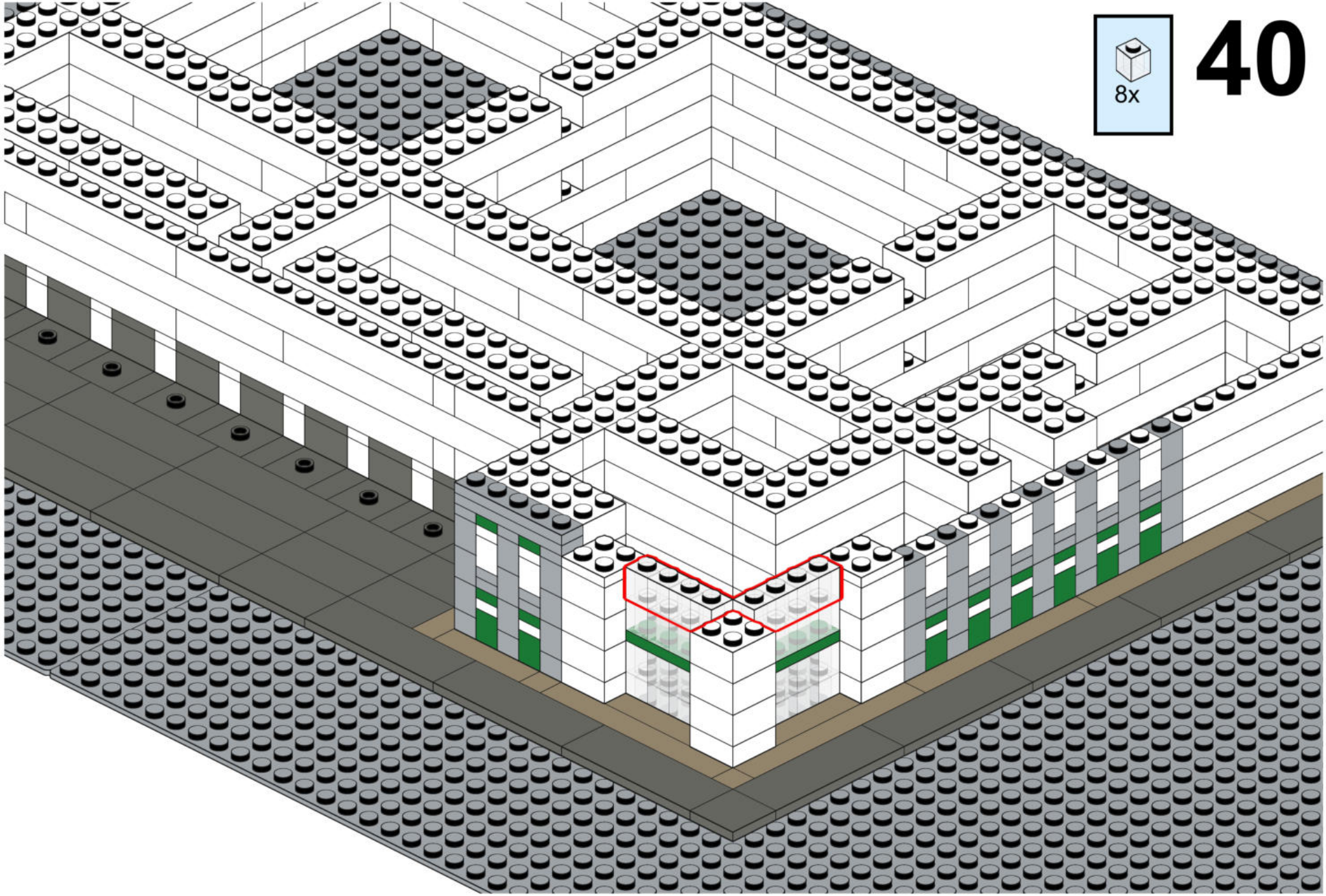




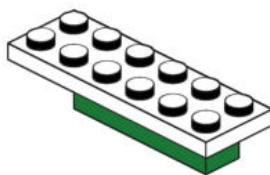
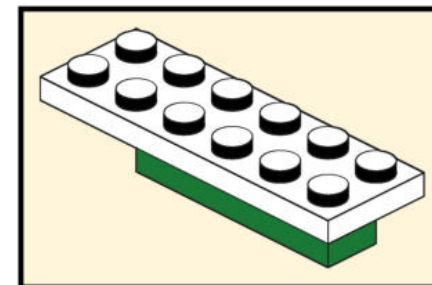
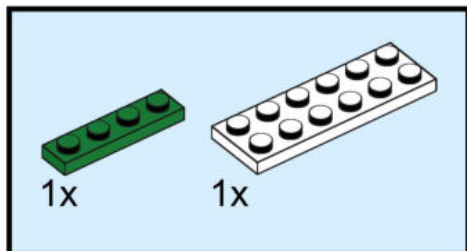


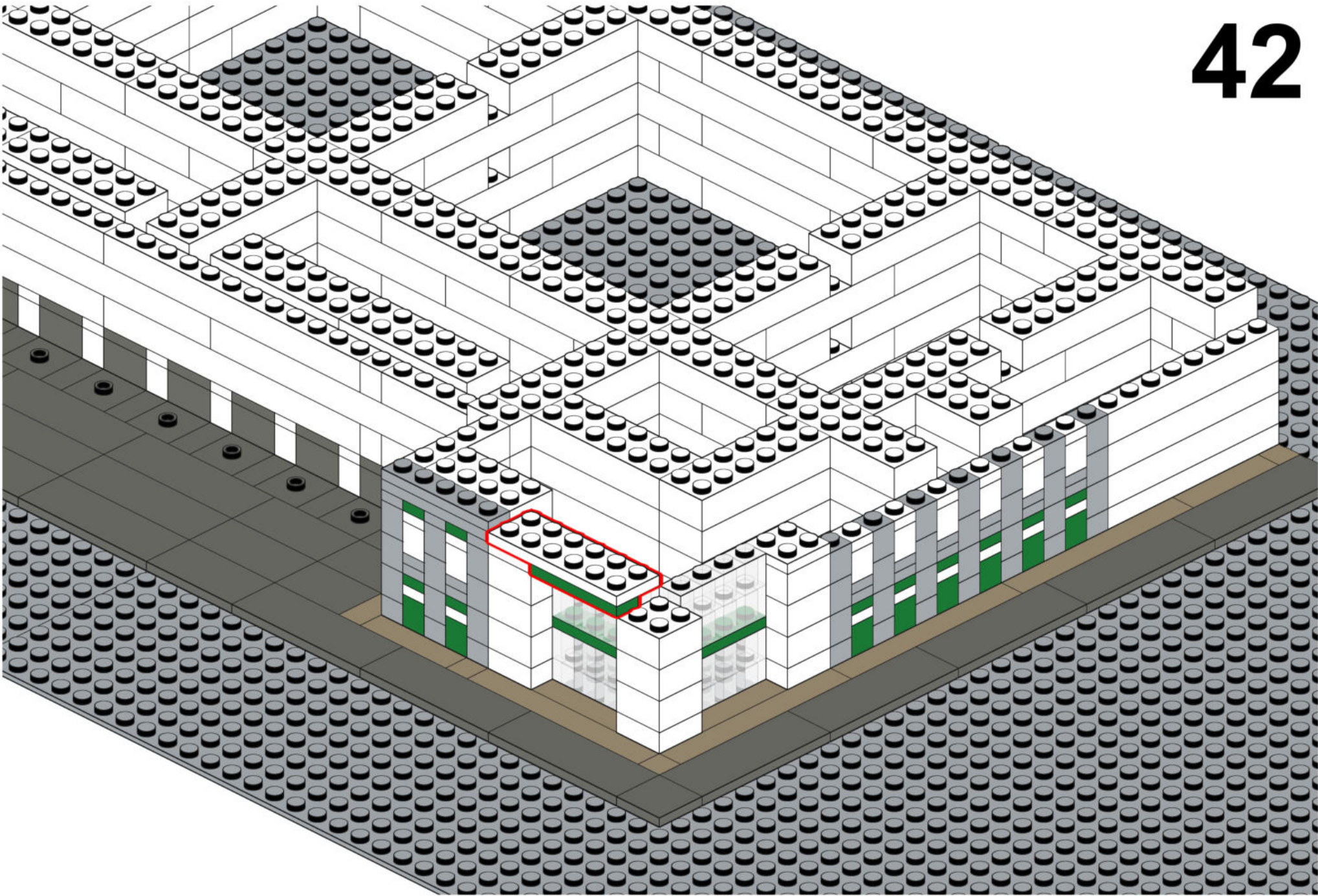


40

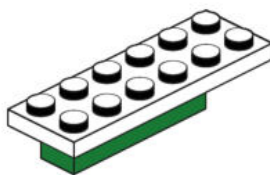
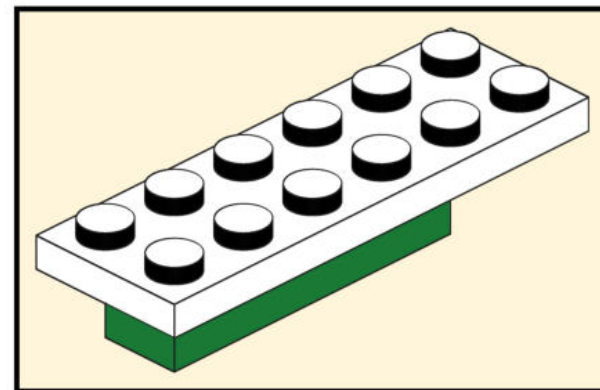
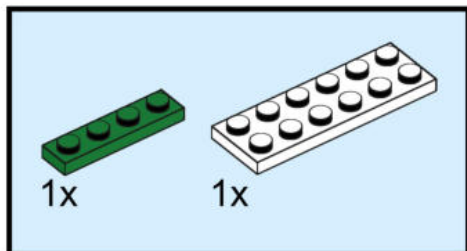


# 41

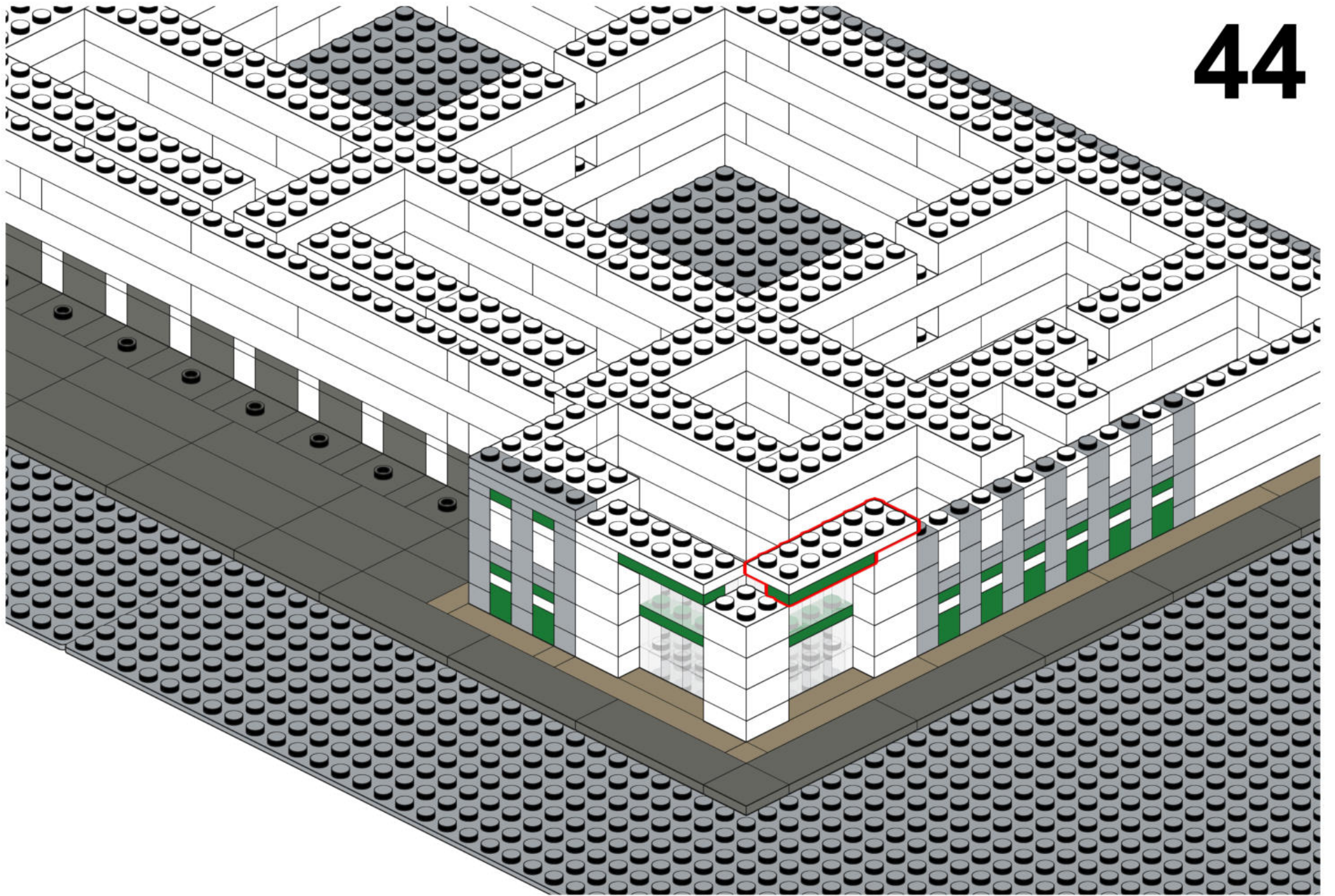




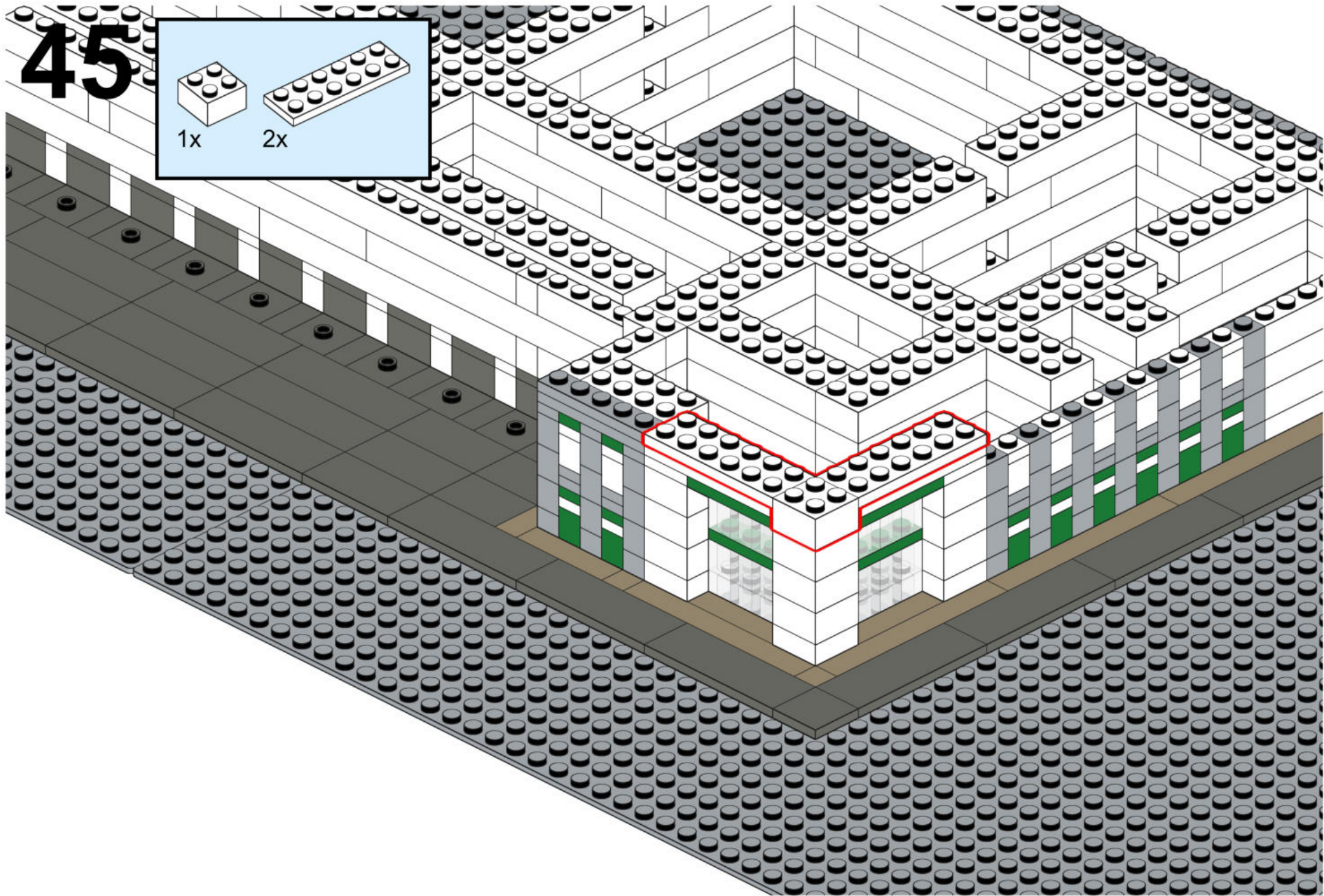
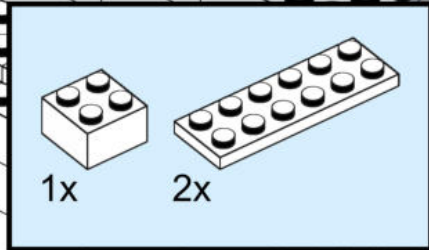
# 43

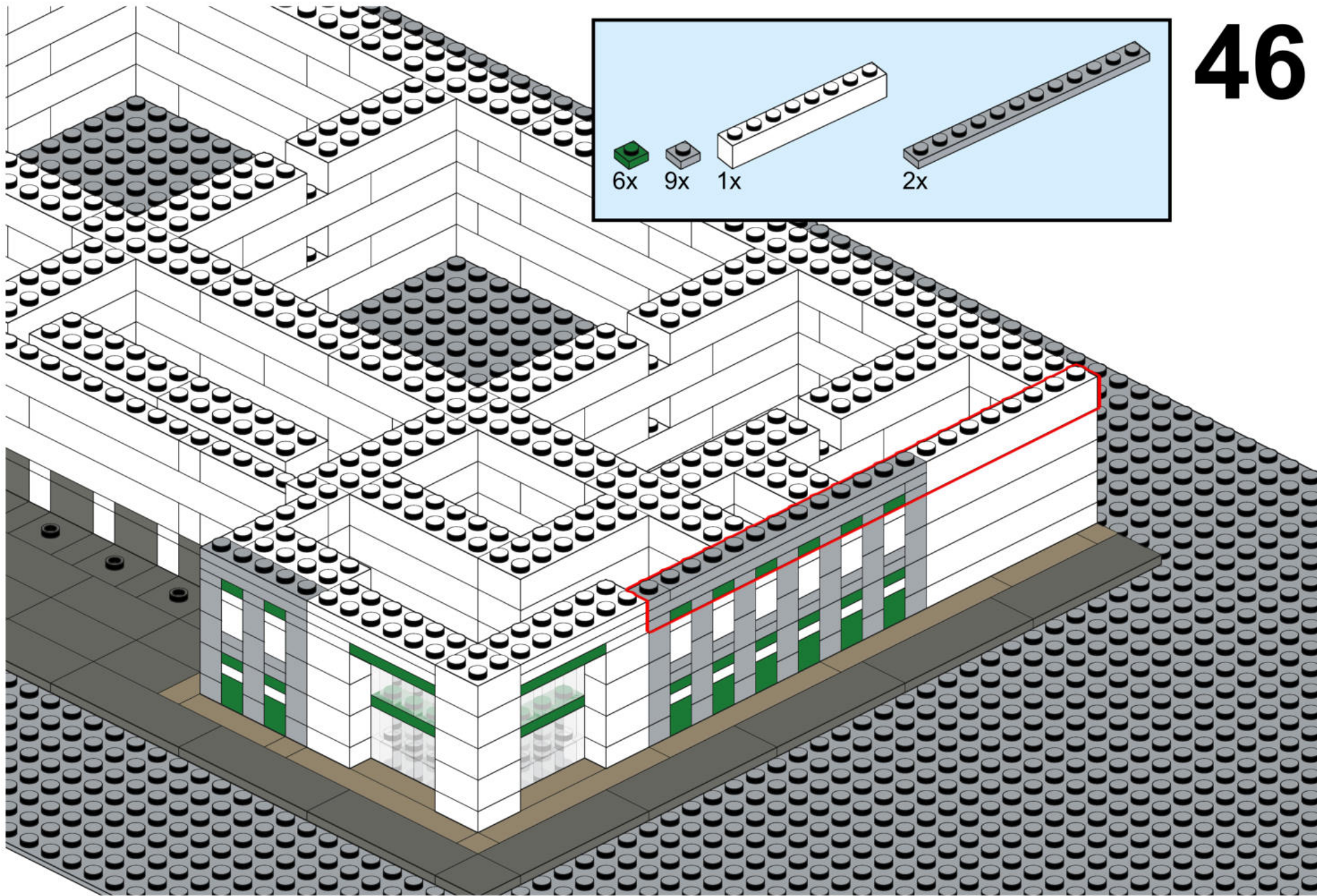


44

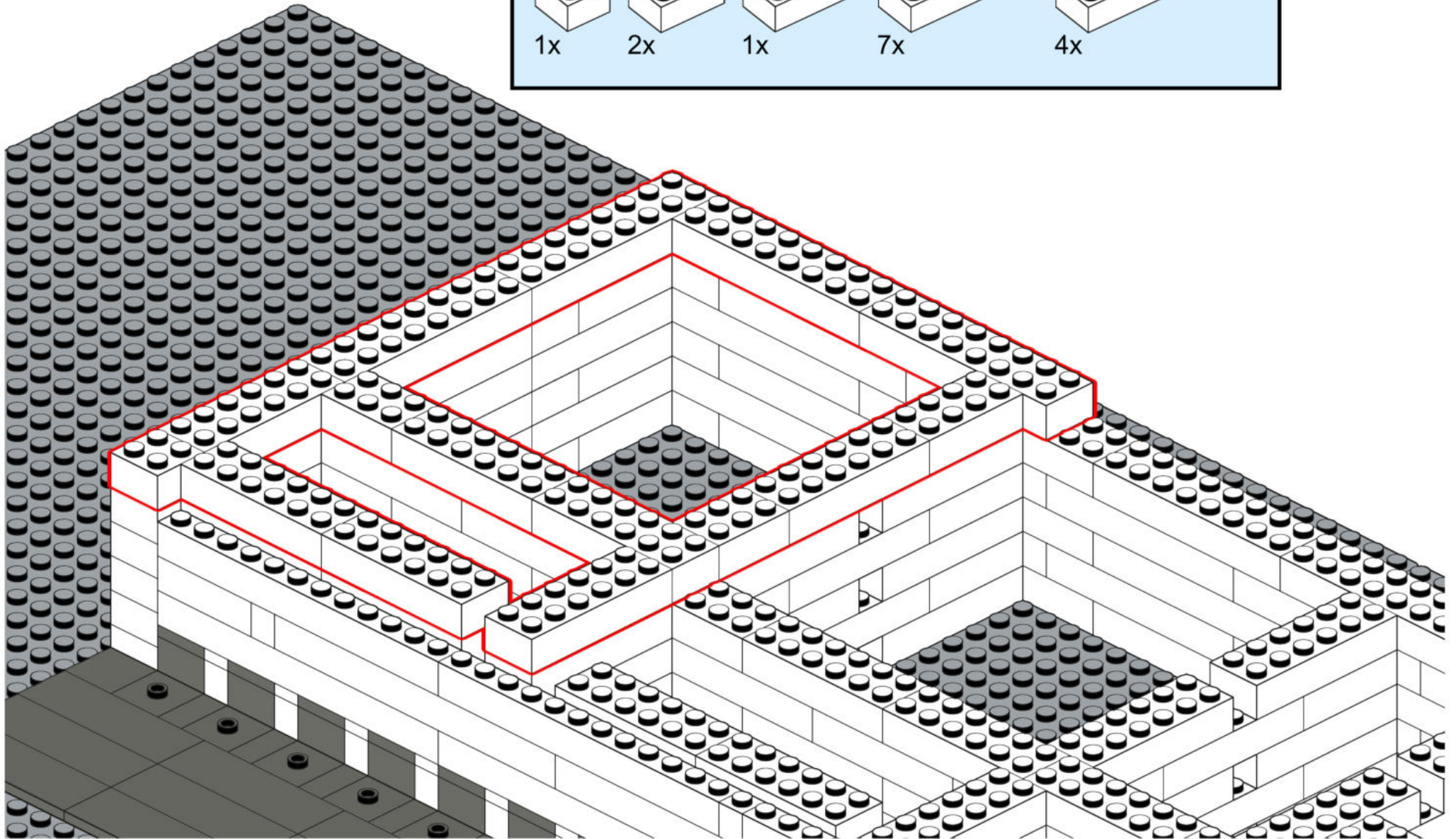
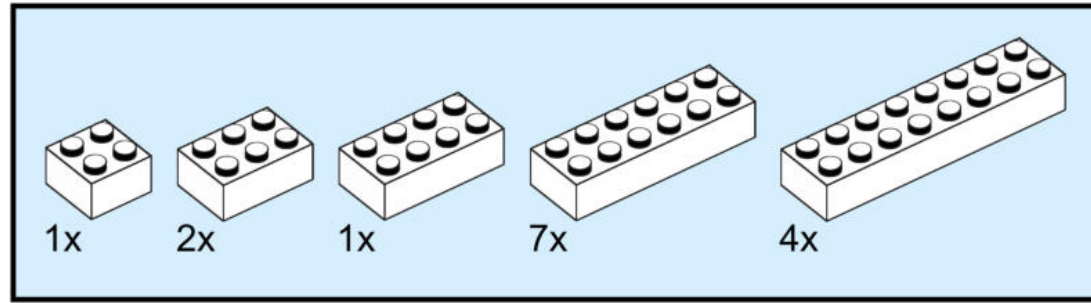


# 45

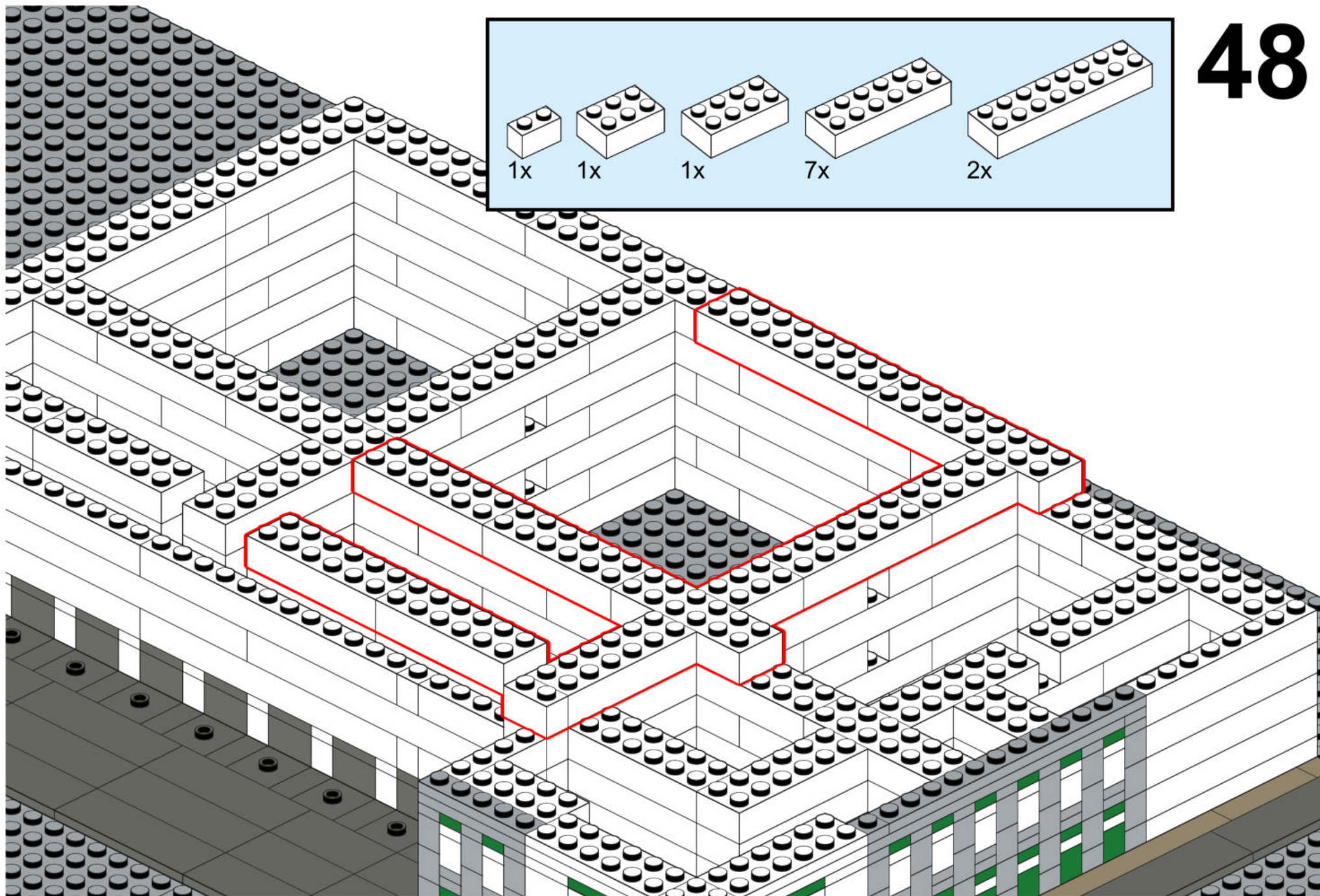
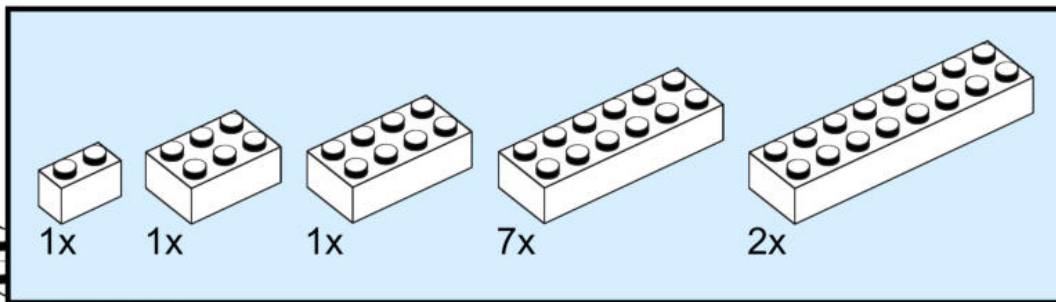


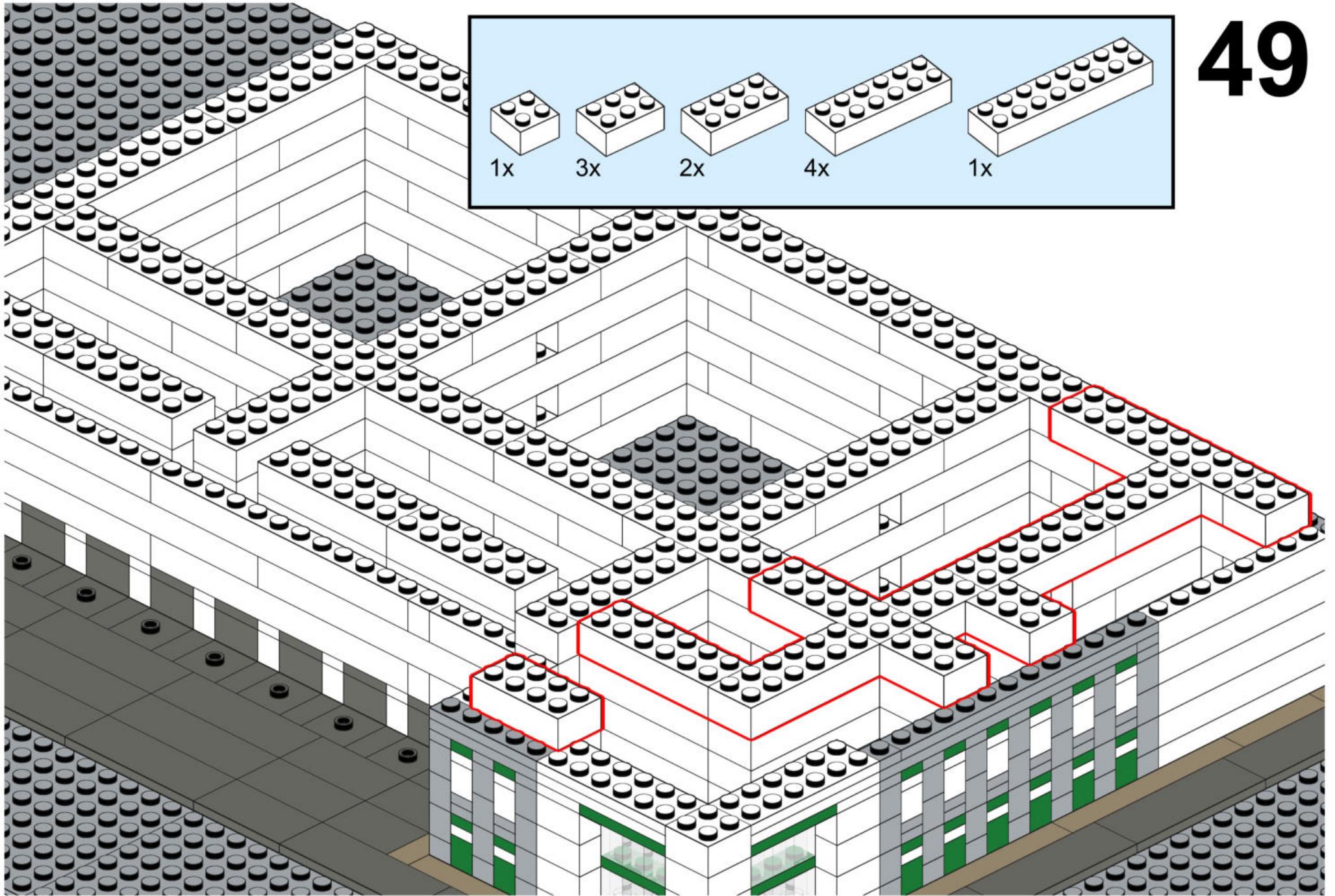
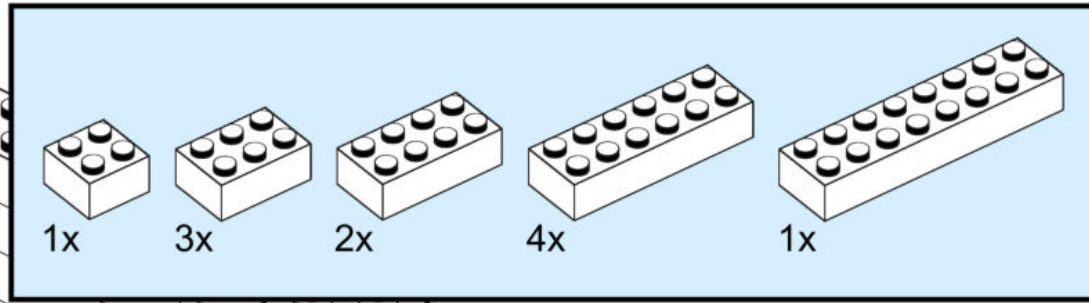


# 47

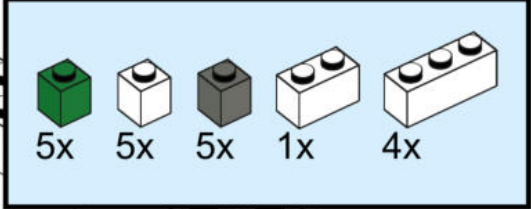






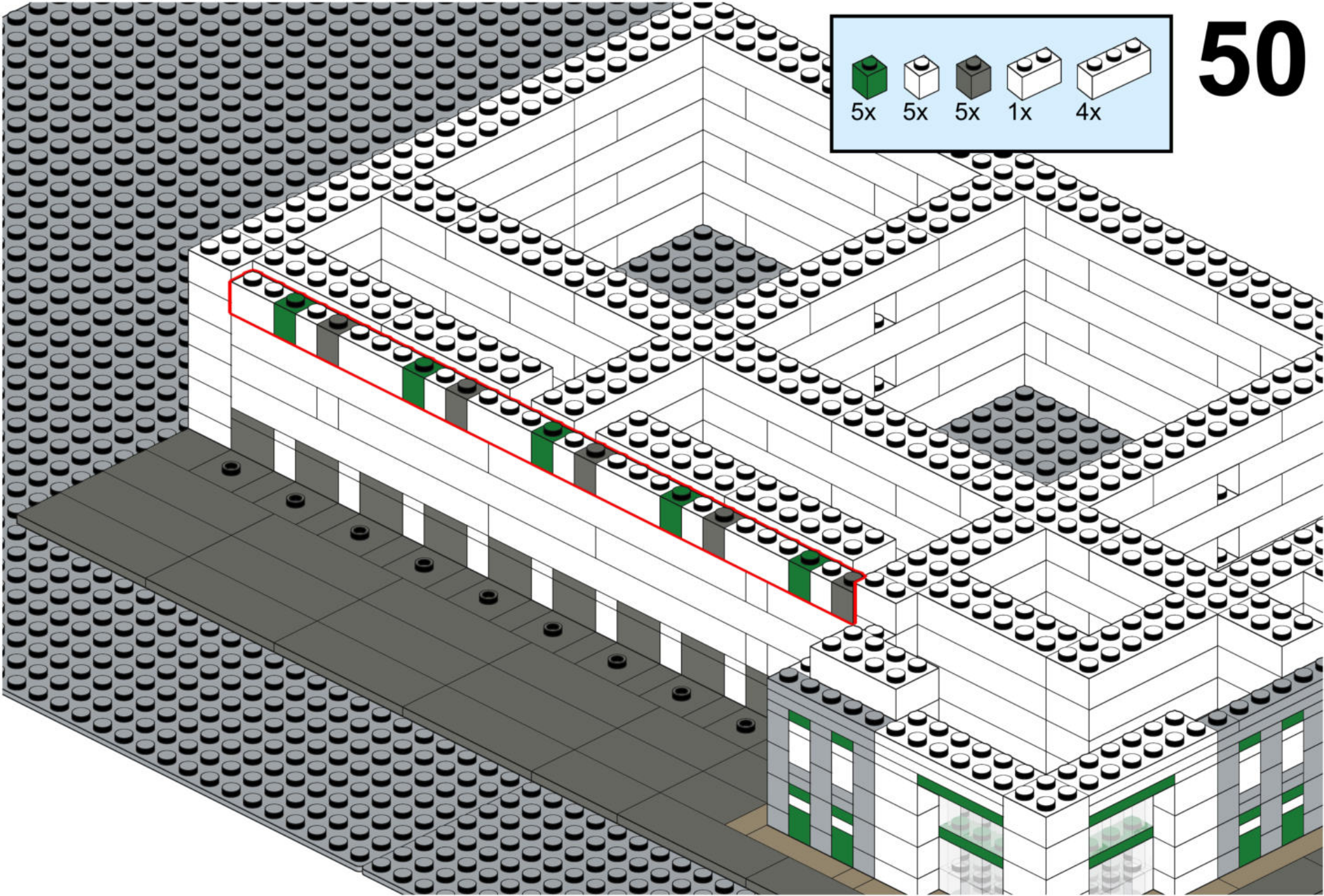


# 50

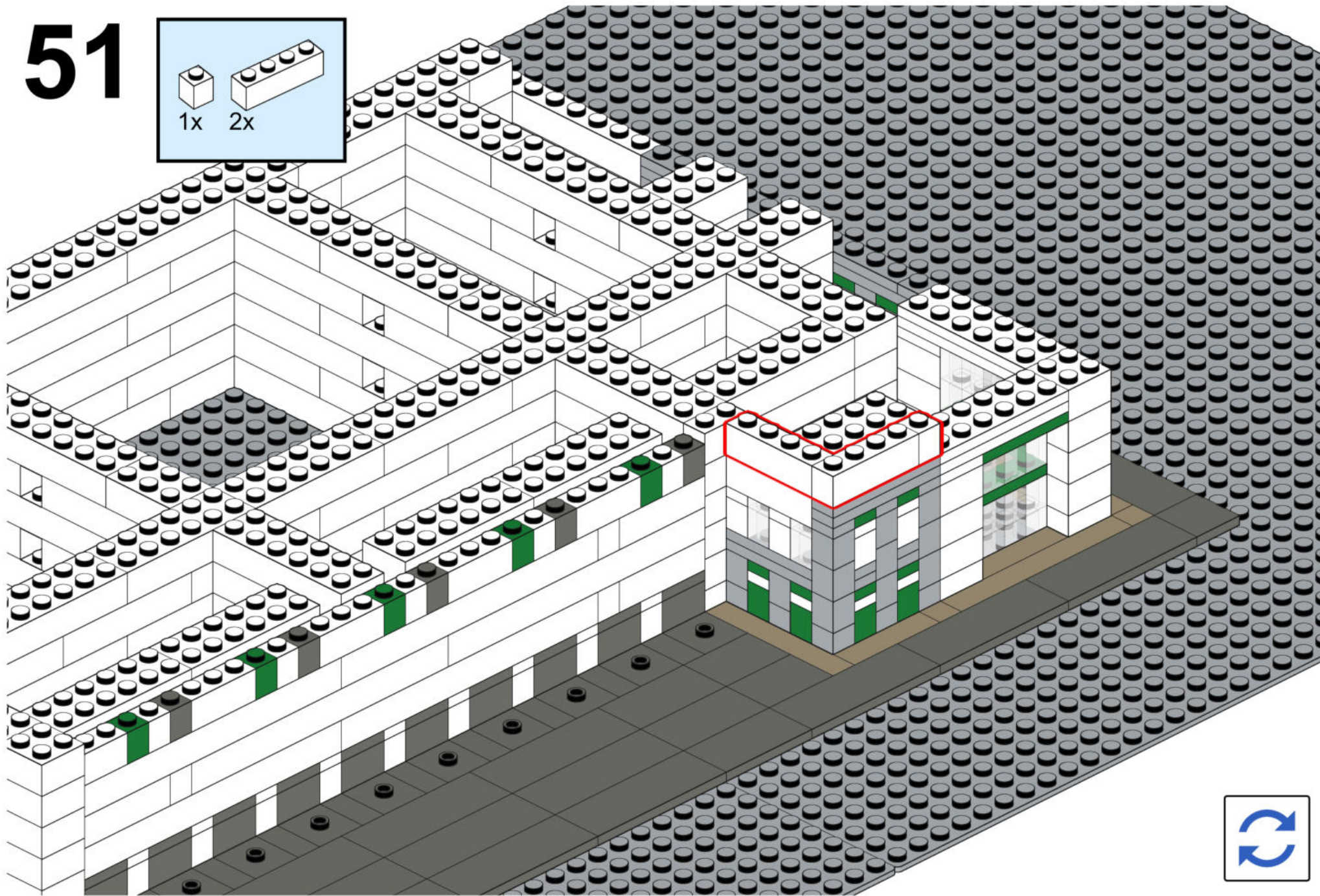
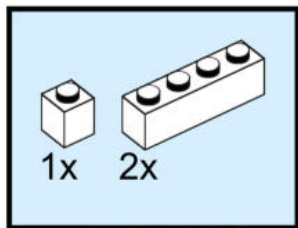


5x 5x 5x 1x 4x

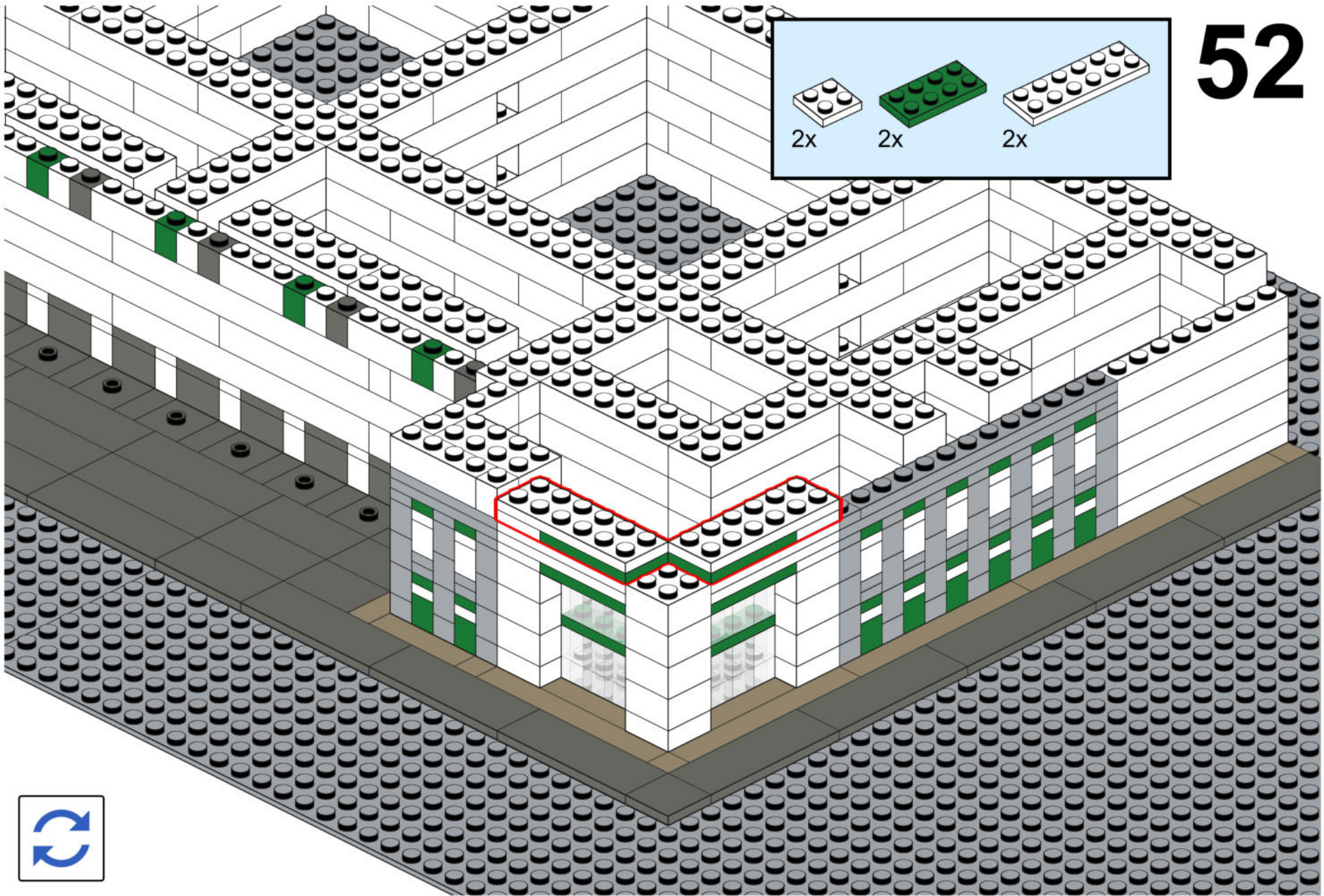
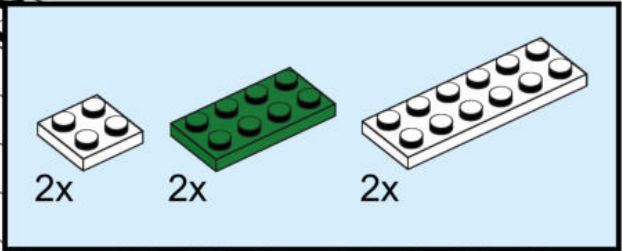
This block contains a parts list for step 50. It features five icons of LEGO parts: a green 1x1 brick with a hole, a white 1x1 brick with a hole, a grey 1x1 brick with a hole, a white 1x2 brick with two holes, and a white 1x4 brick with four holes. Below each icon is a quantity: 5x, 5x, 5x, 1x, and 4x respectively.



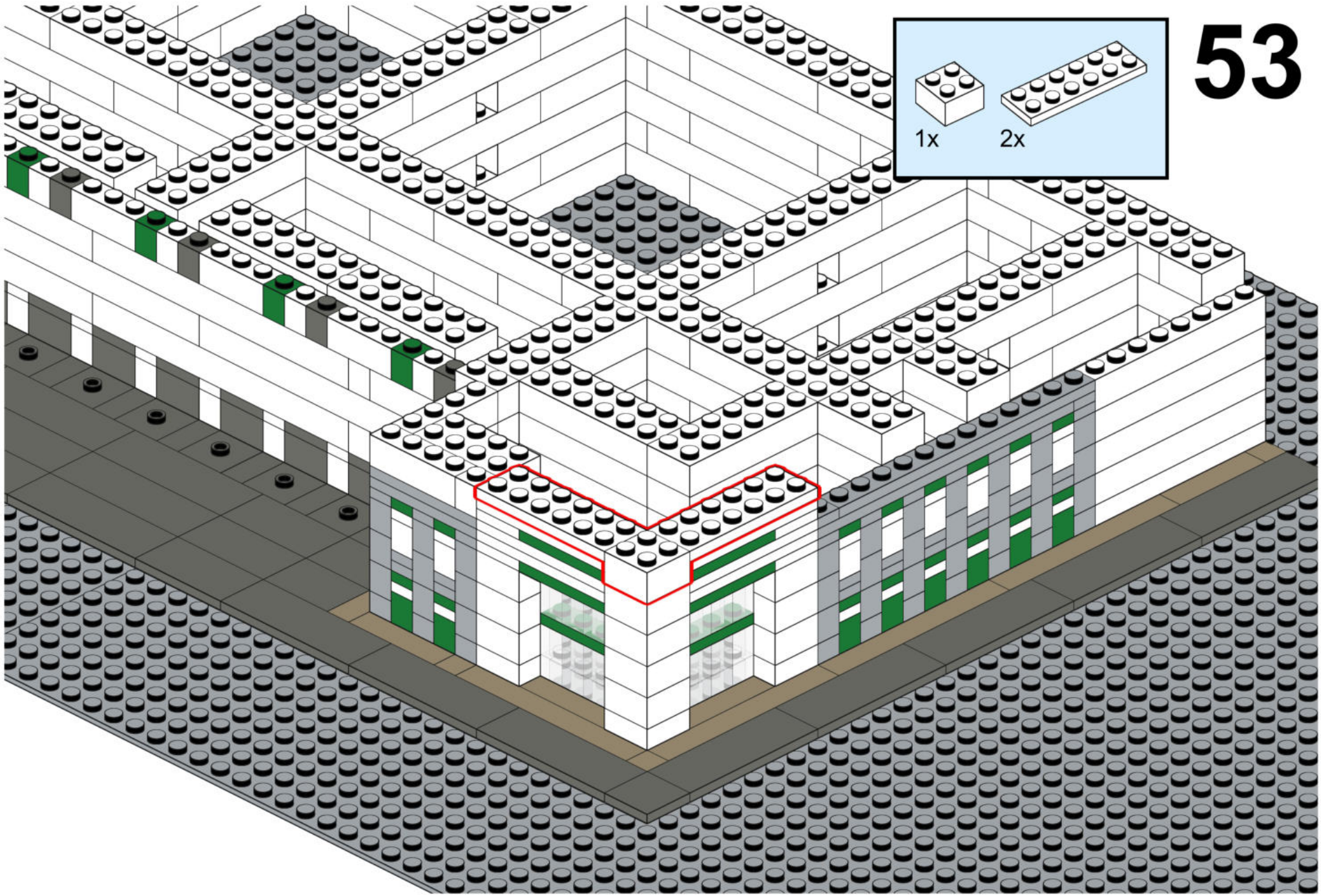
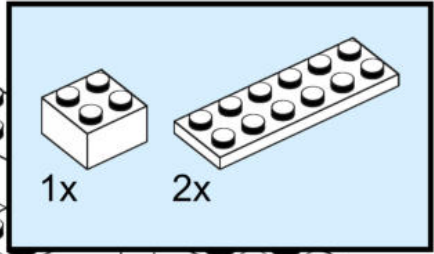
# 51

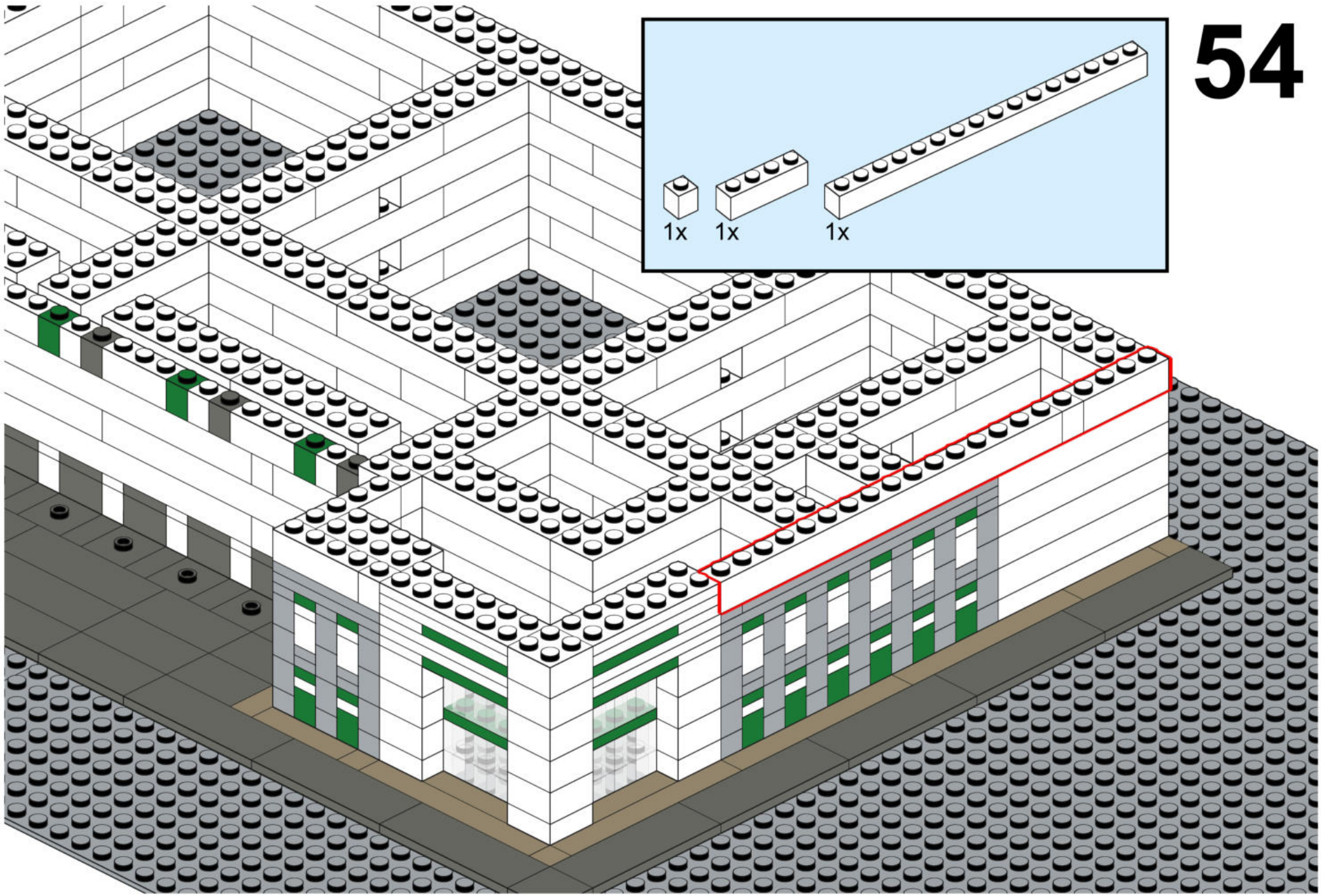
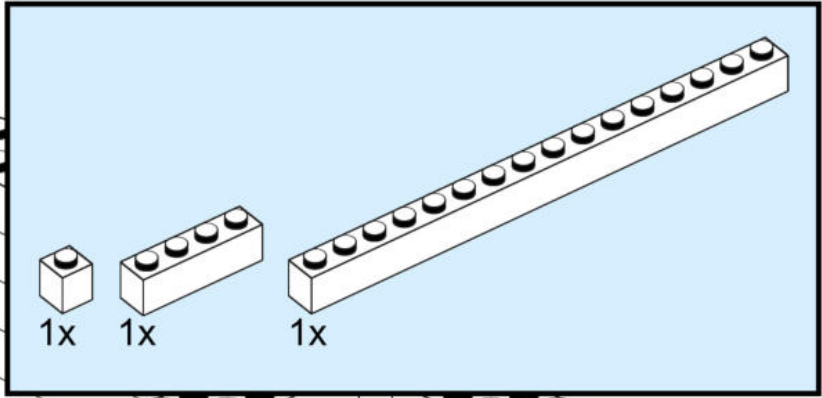


52

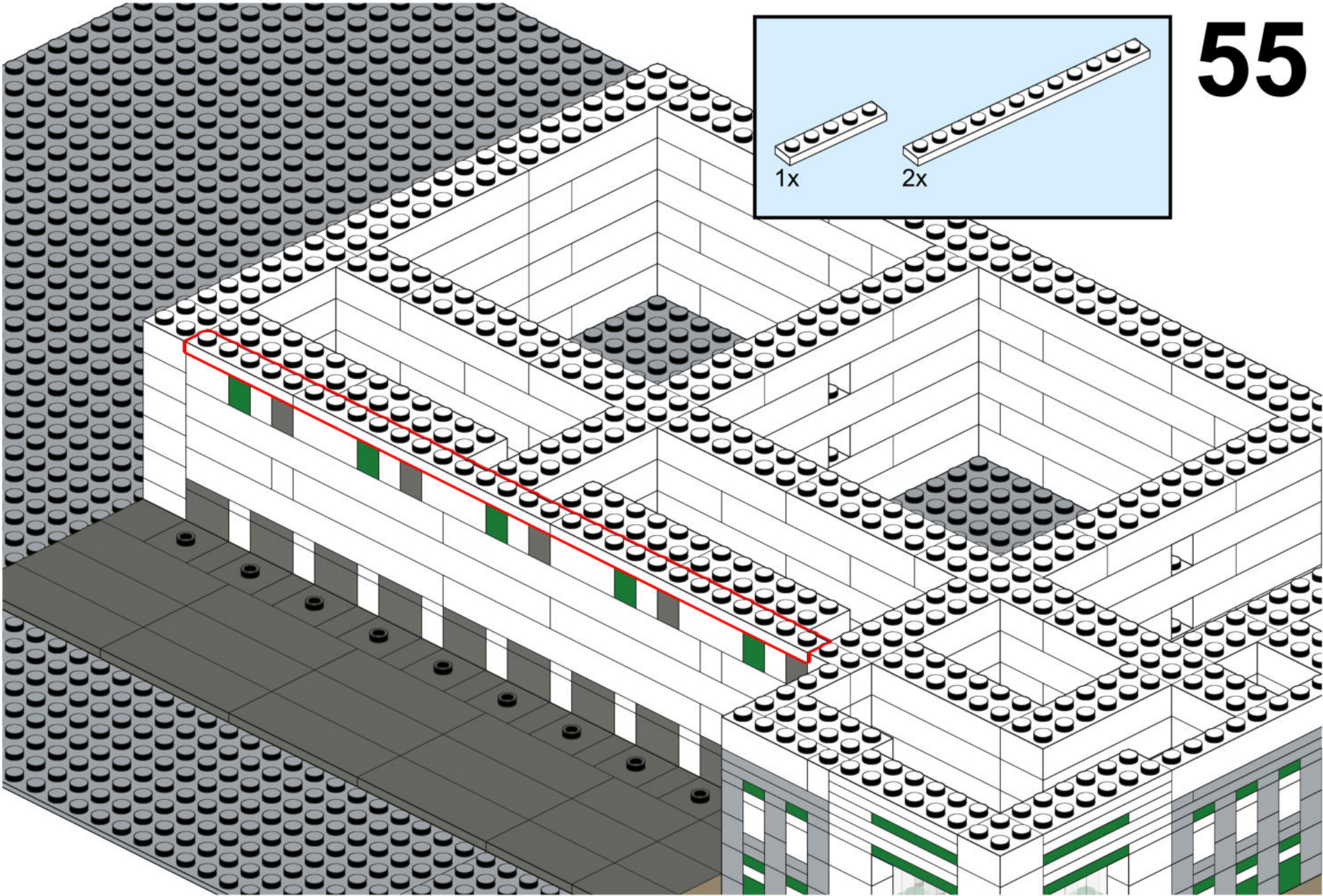
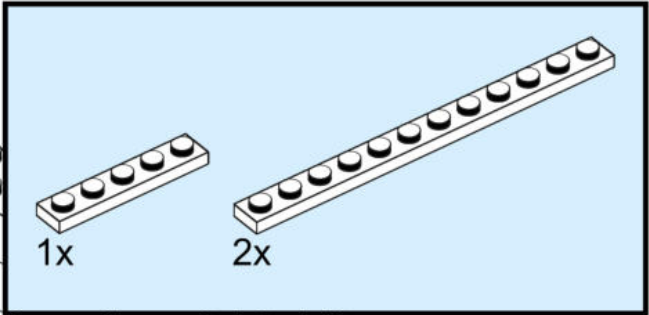


# 53



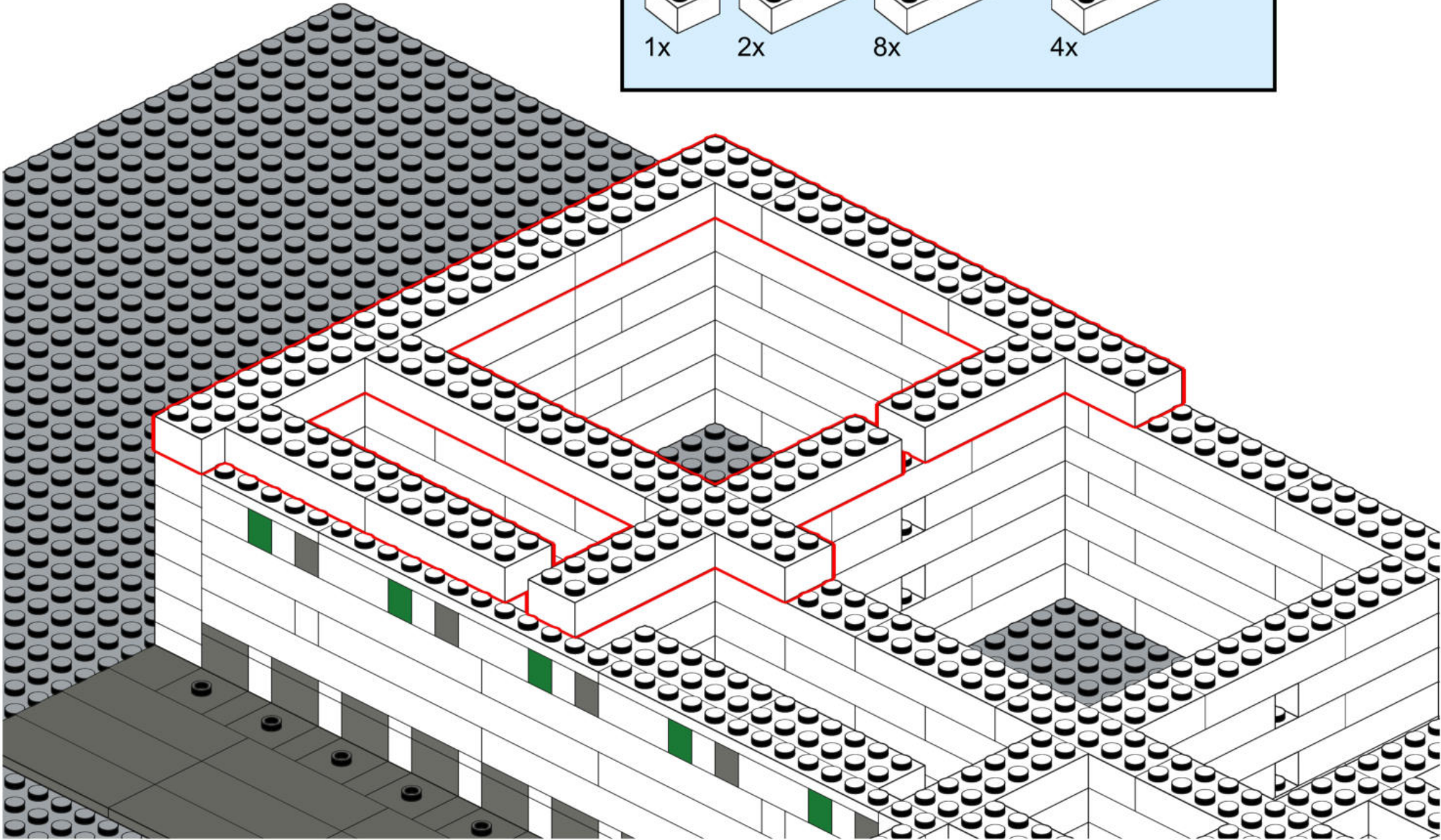
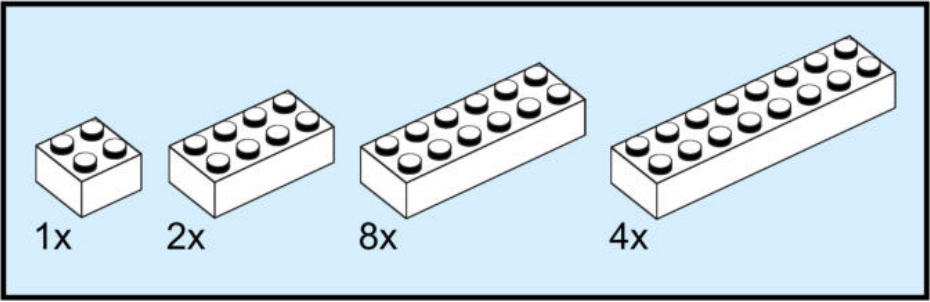


# 55

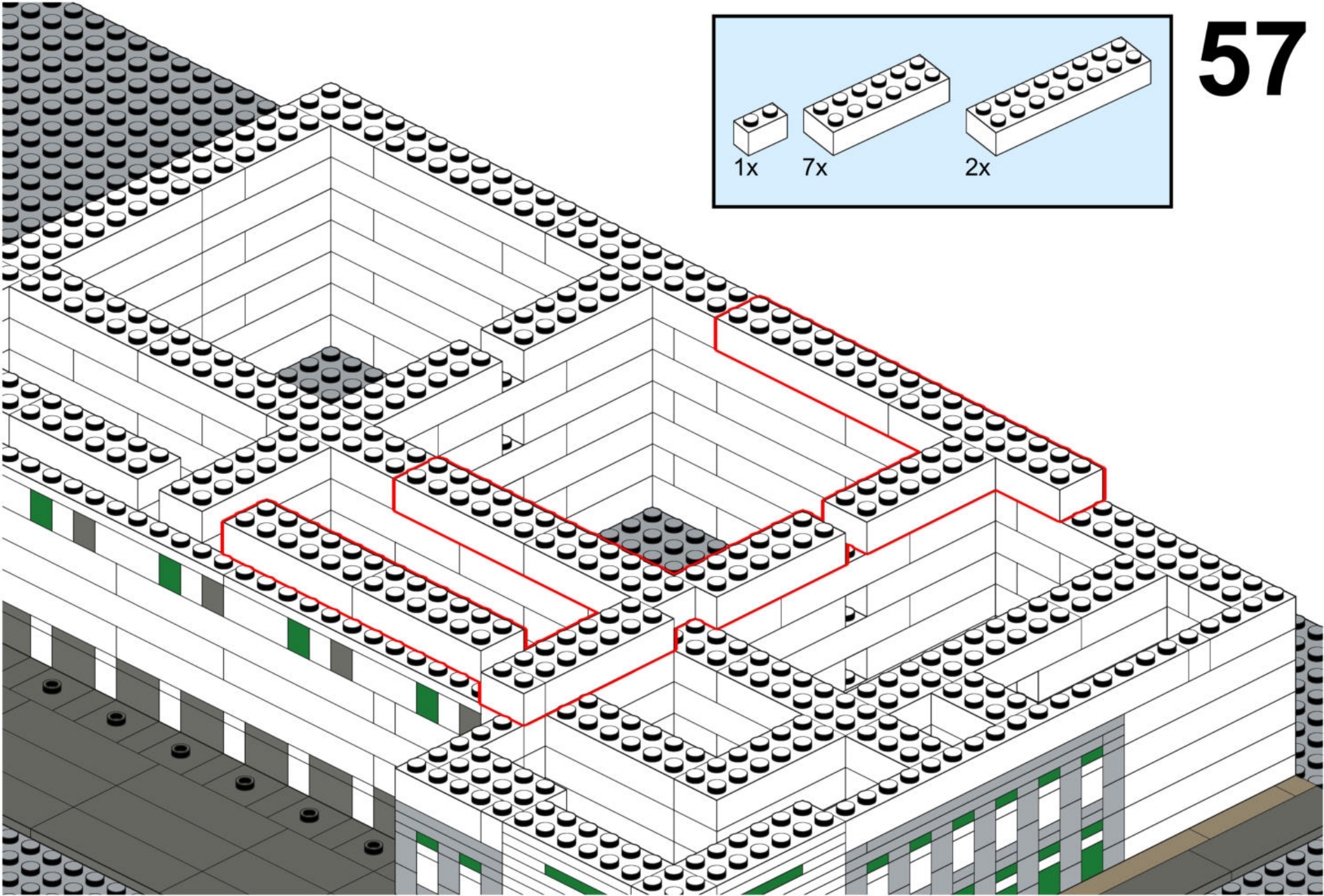
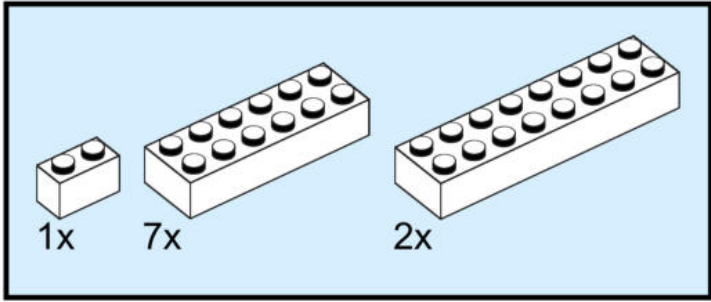


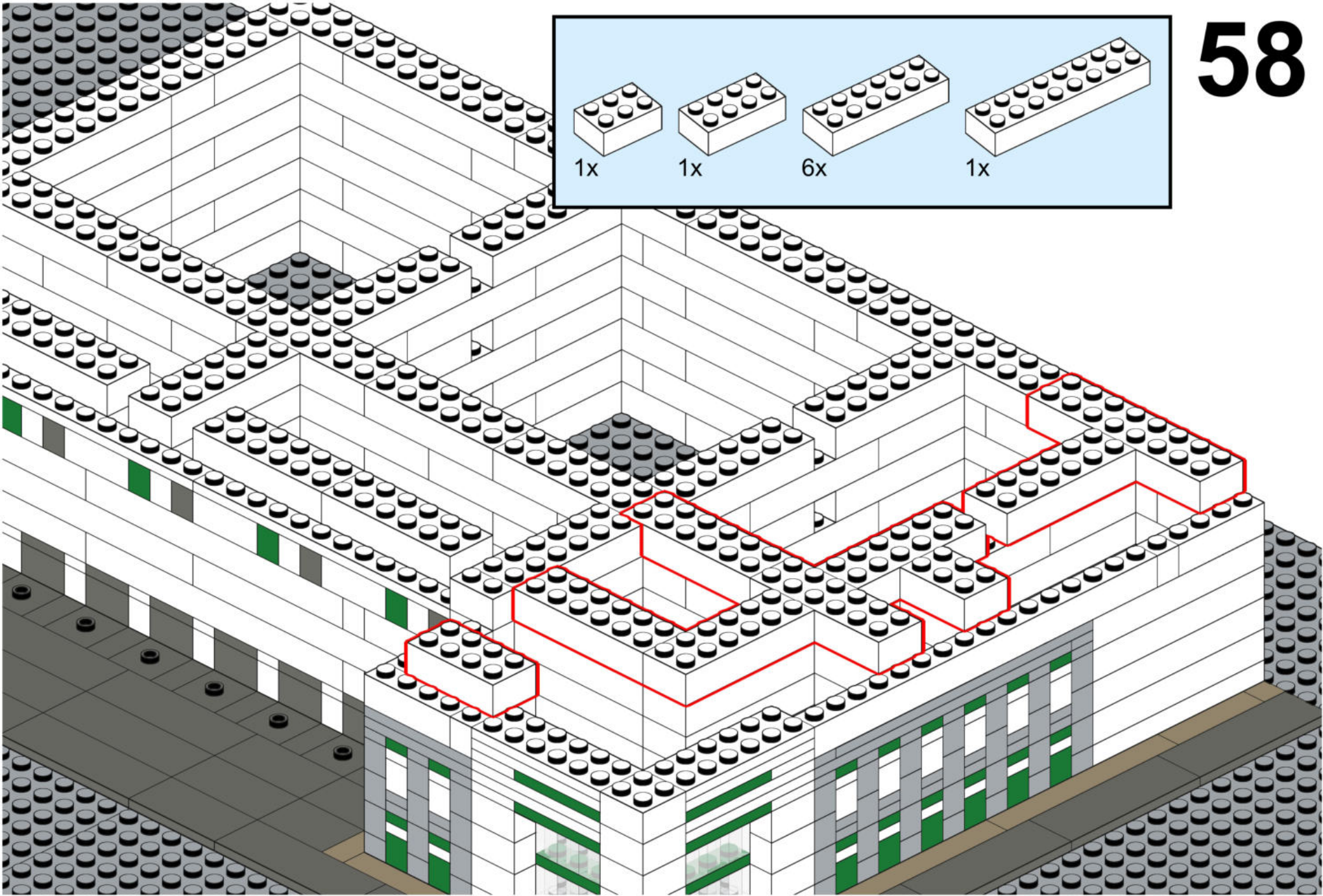
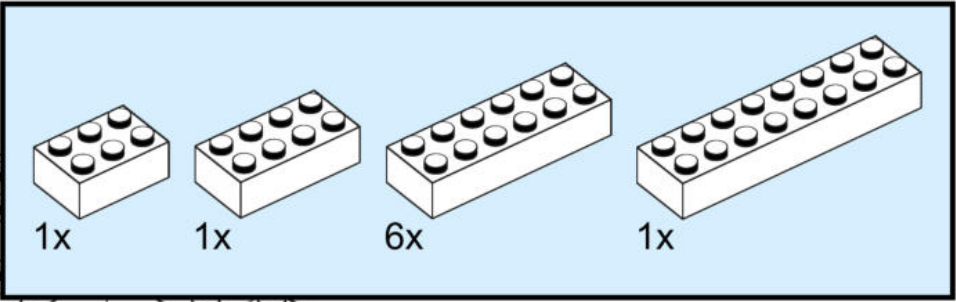


# 56

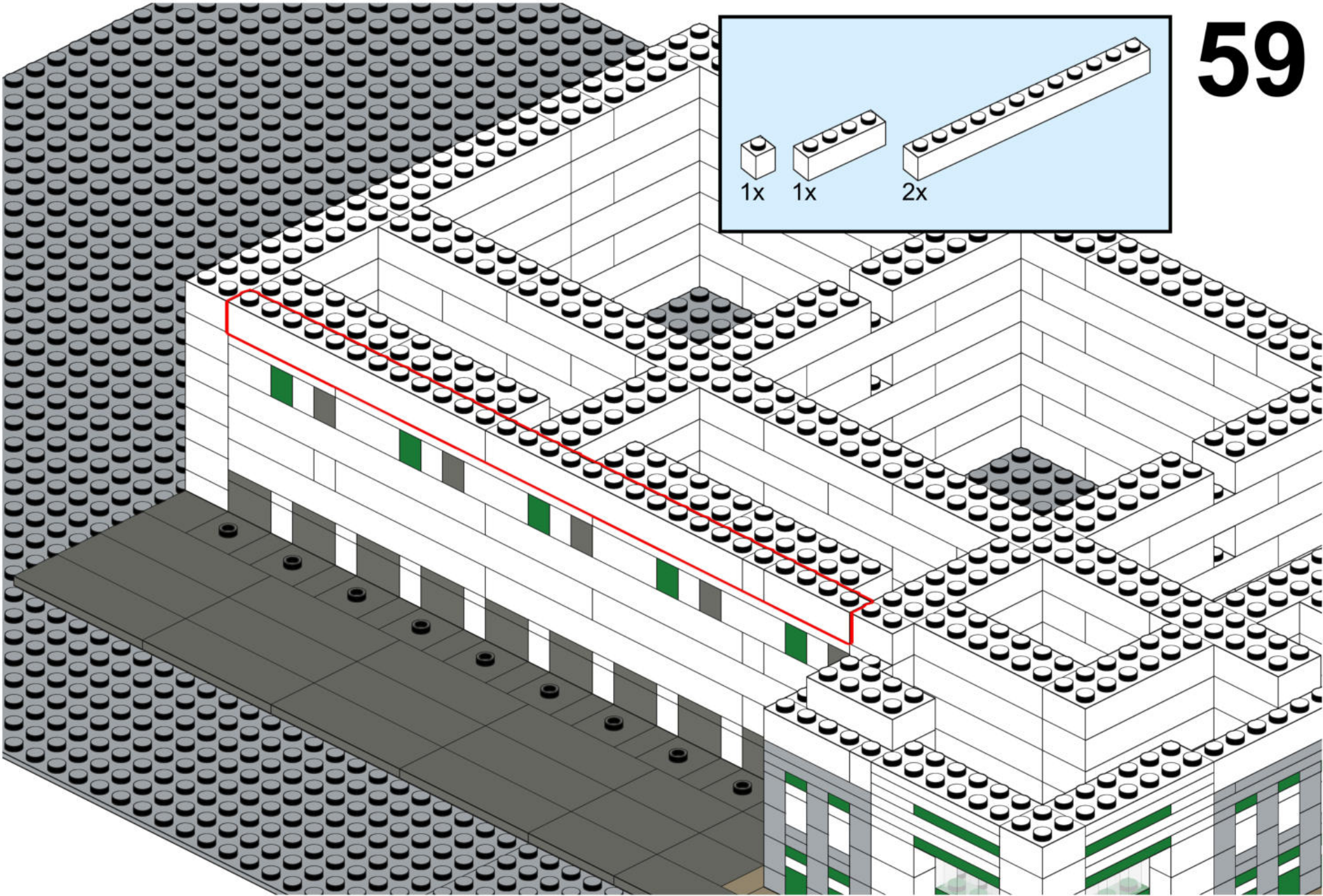
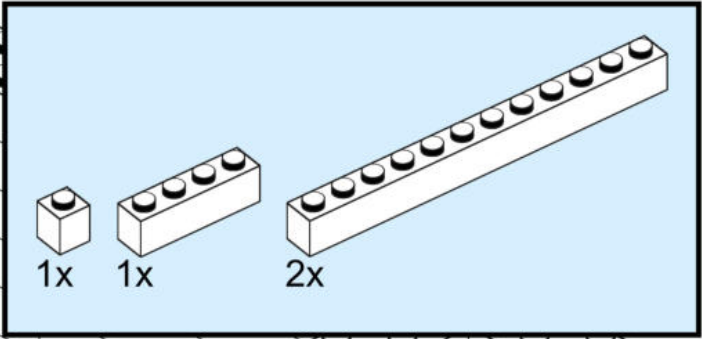


# 57

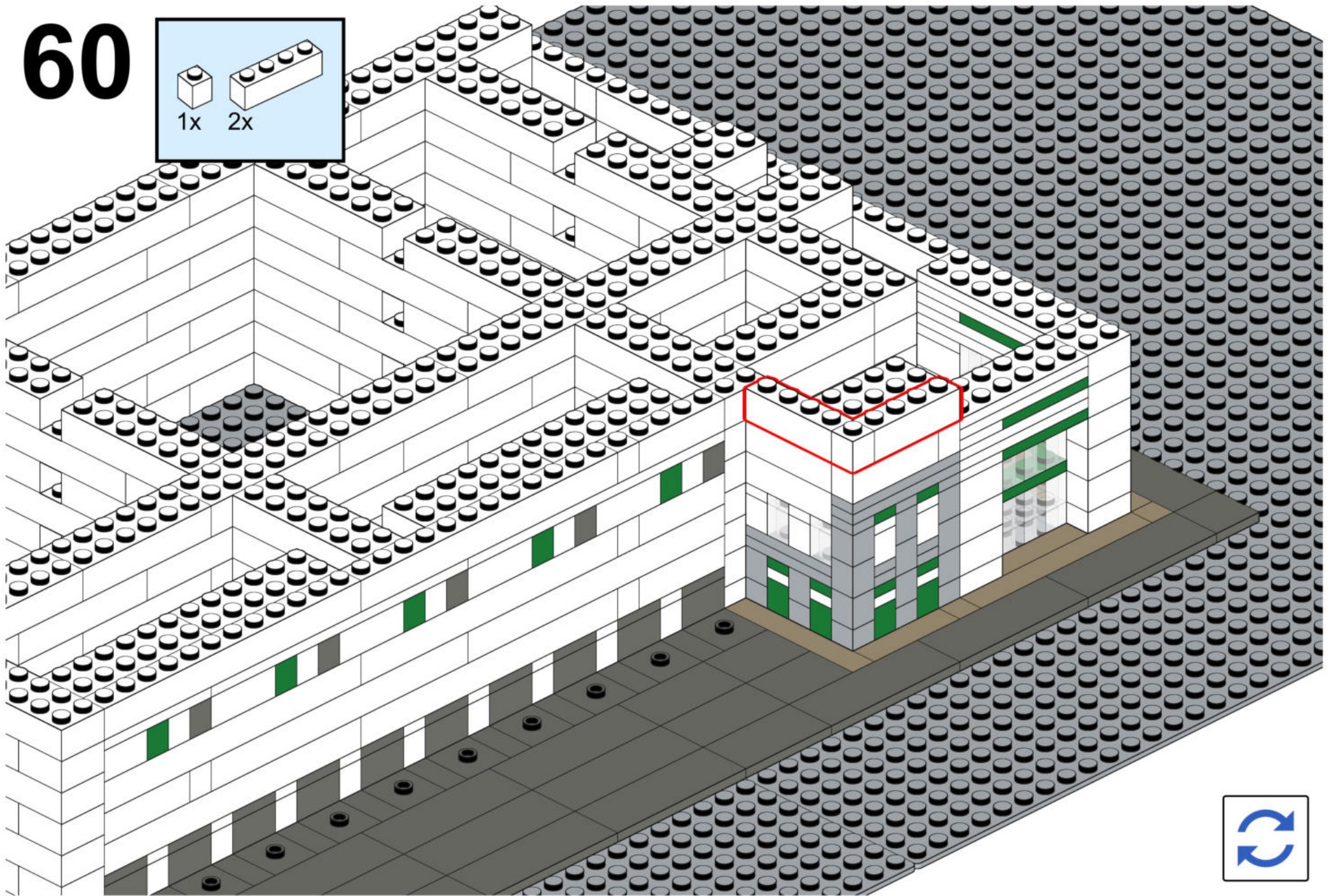
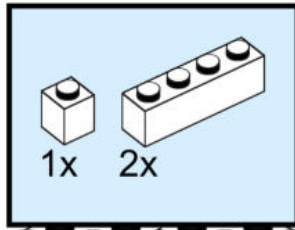




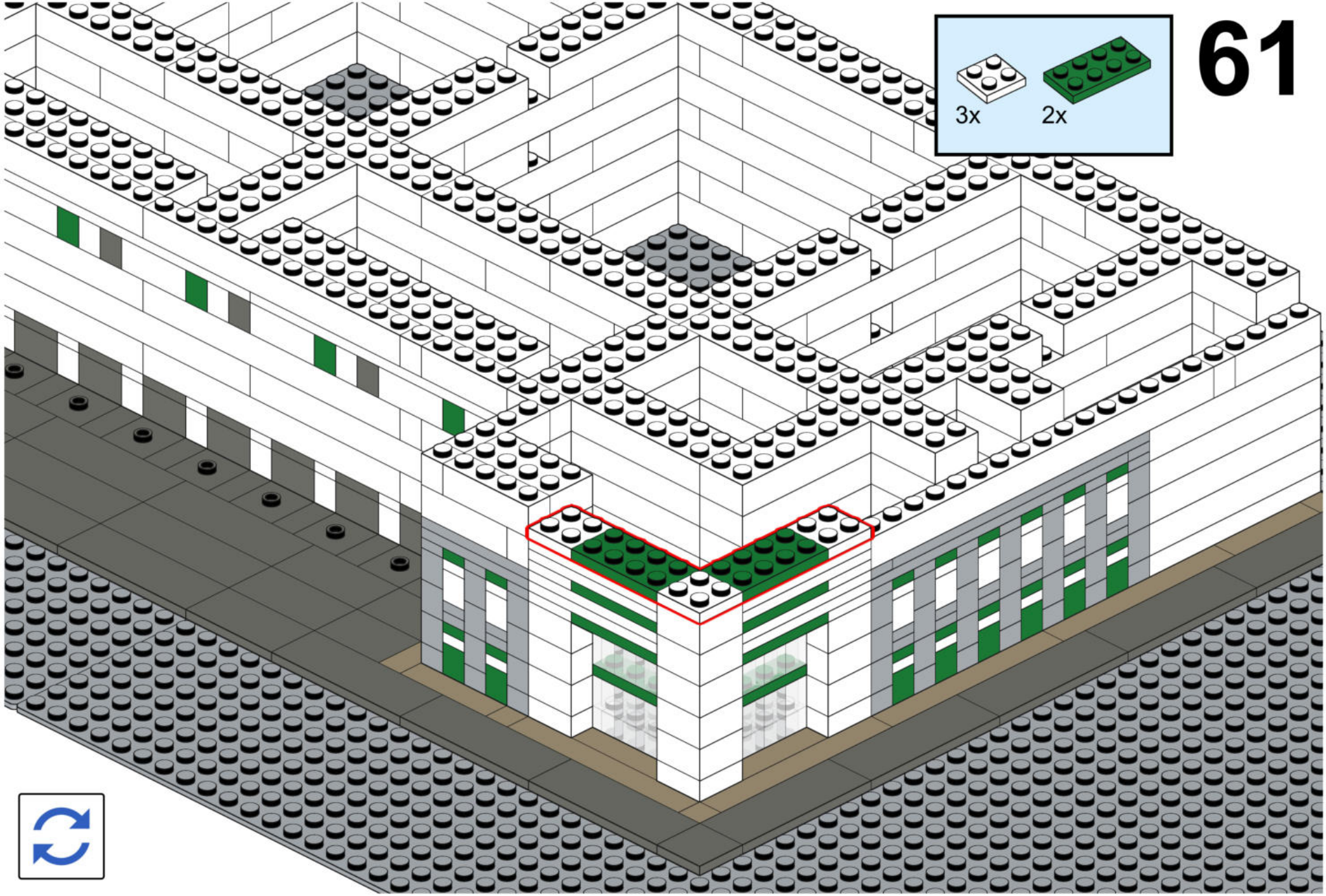
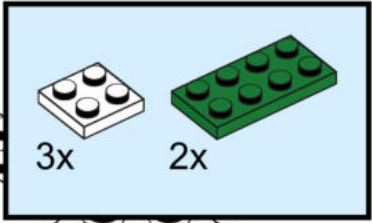
# 59



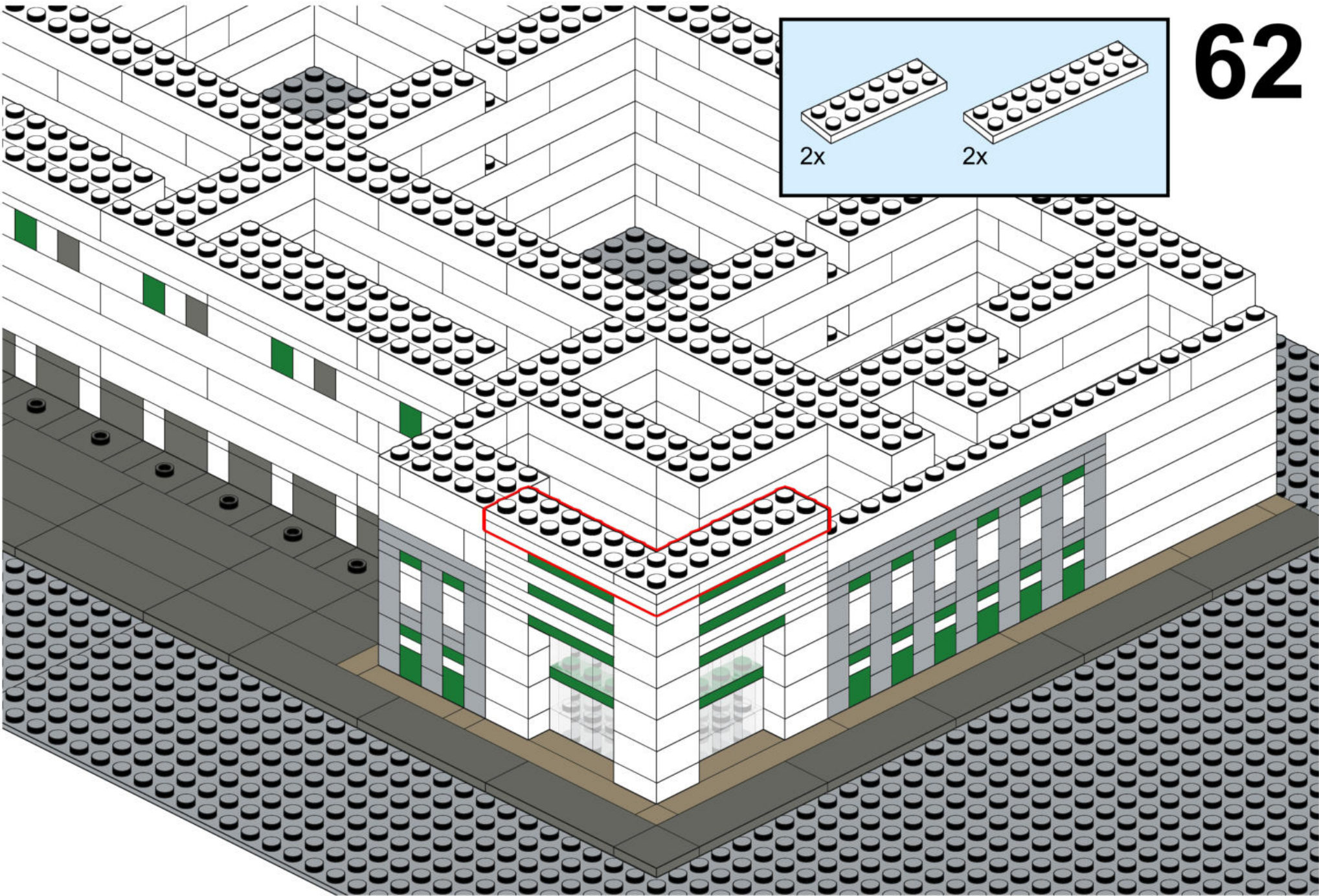
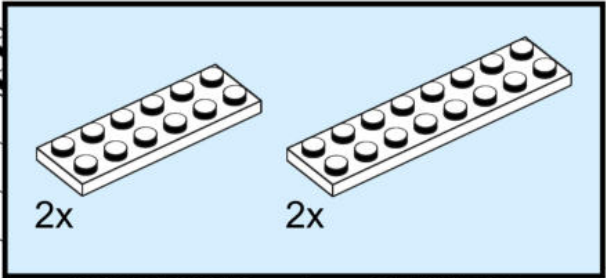
# 60

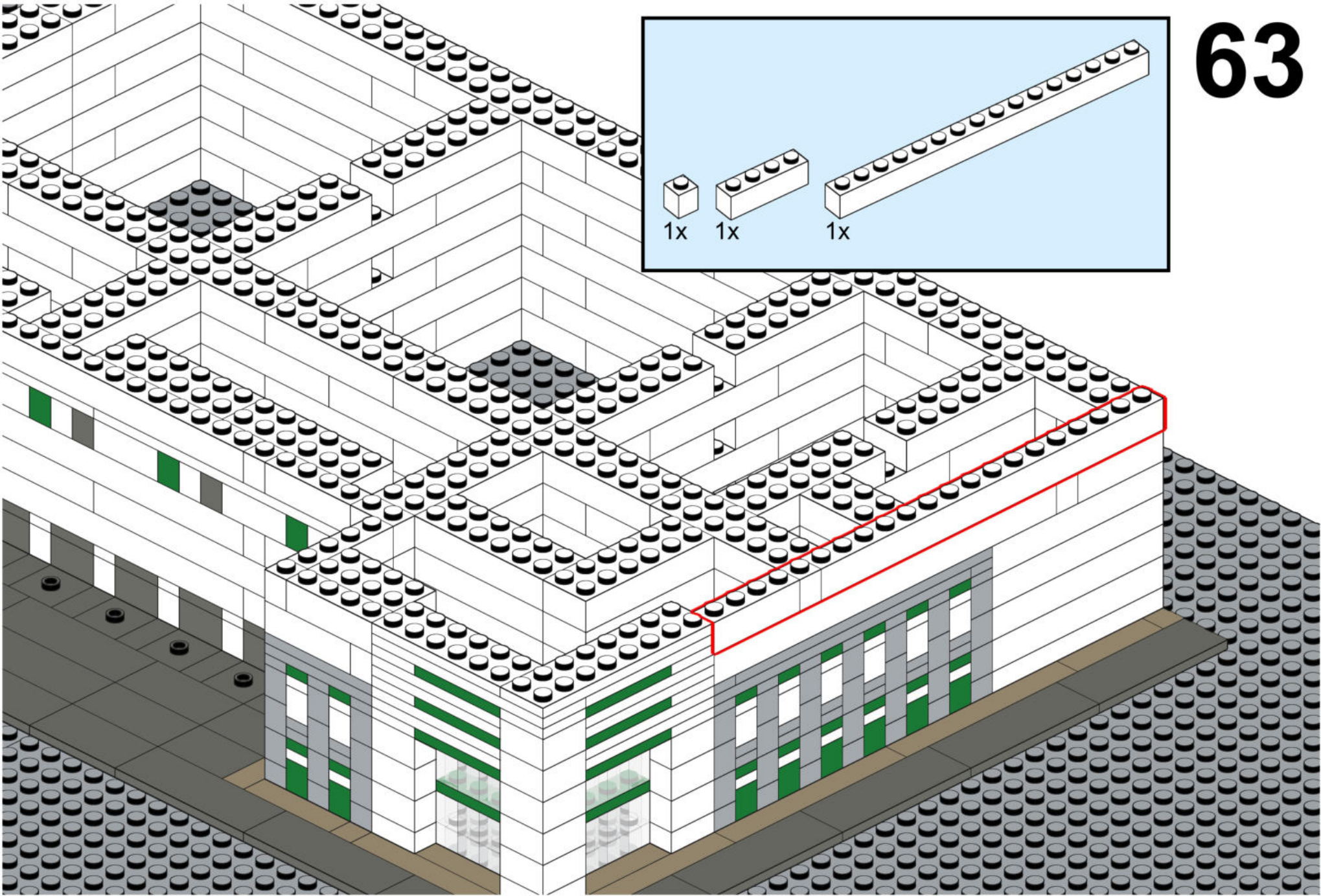
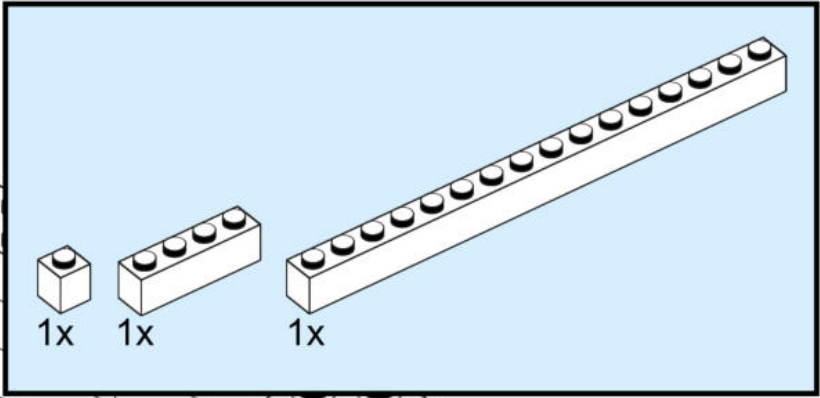


# 61



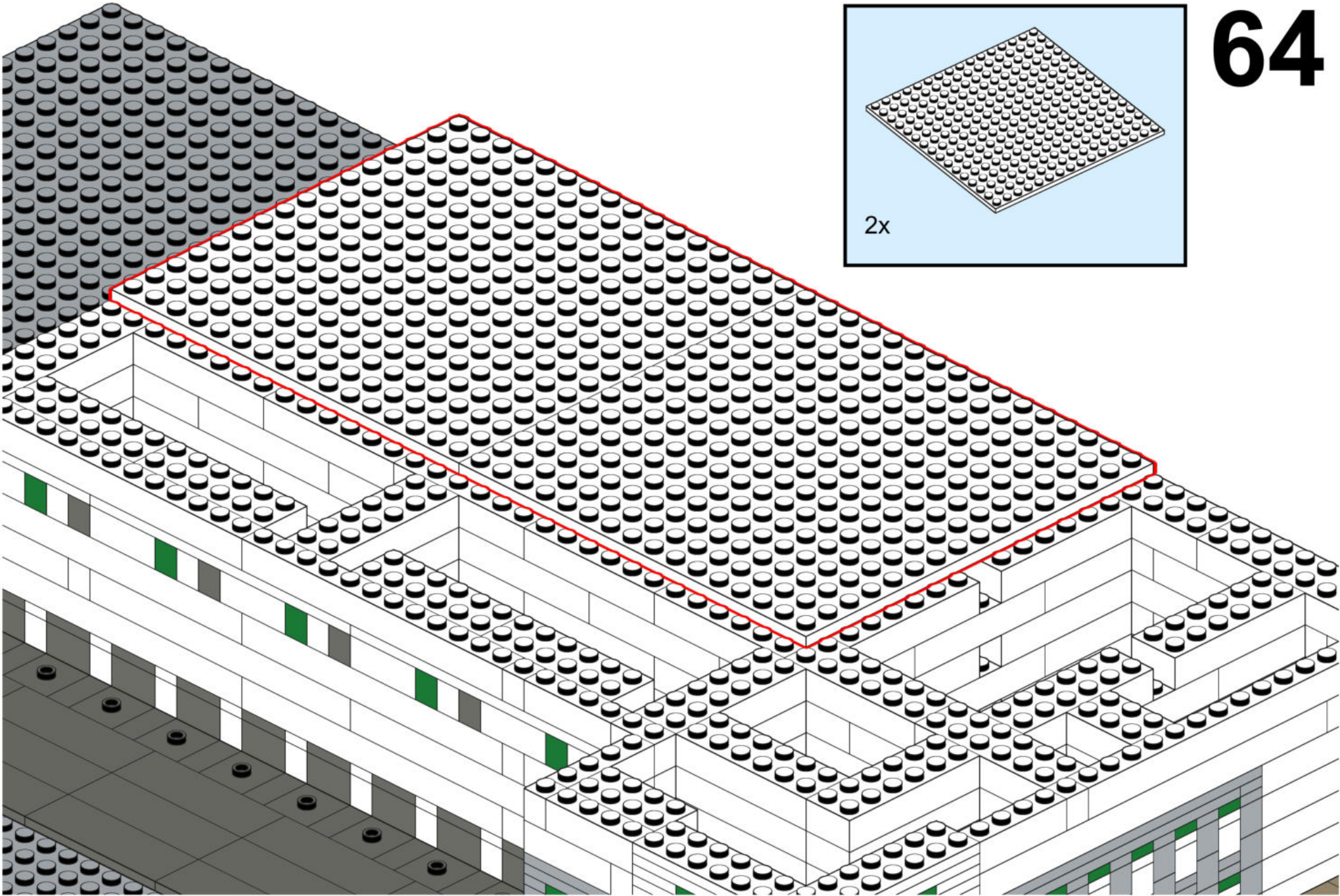
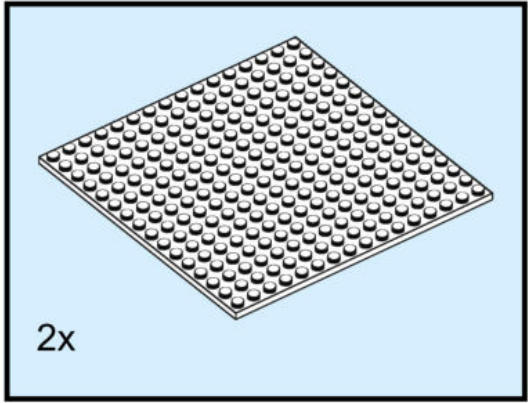
62

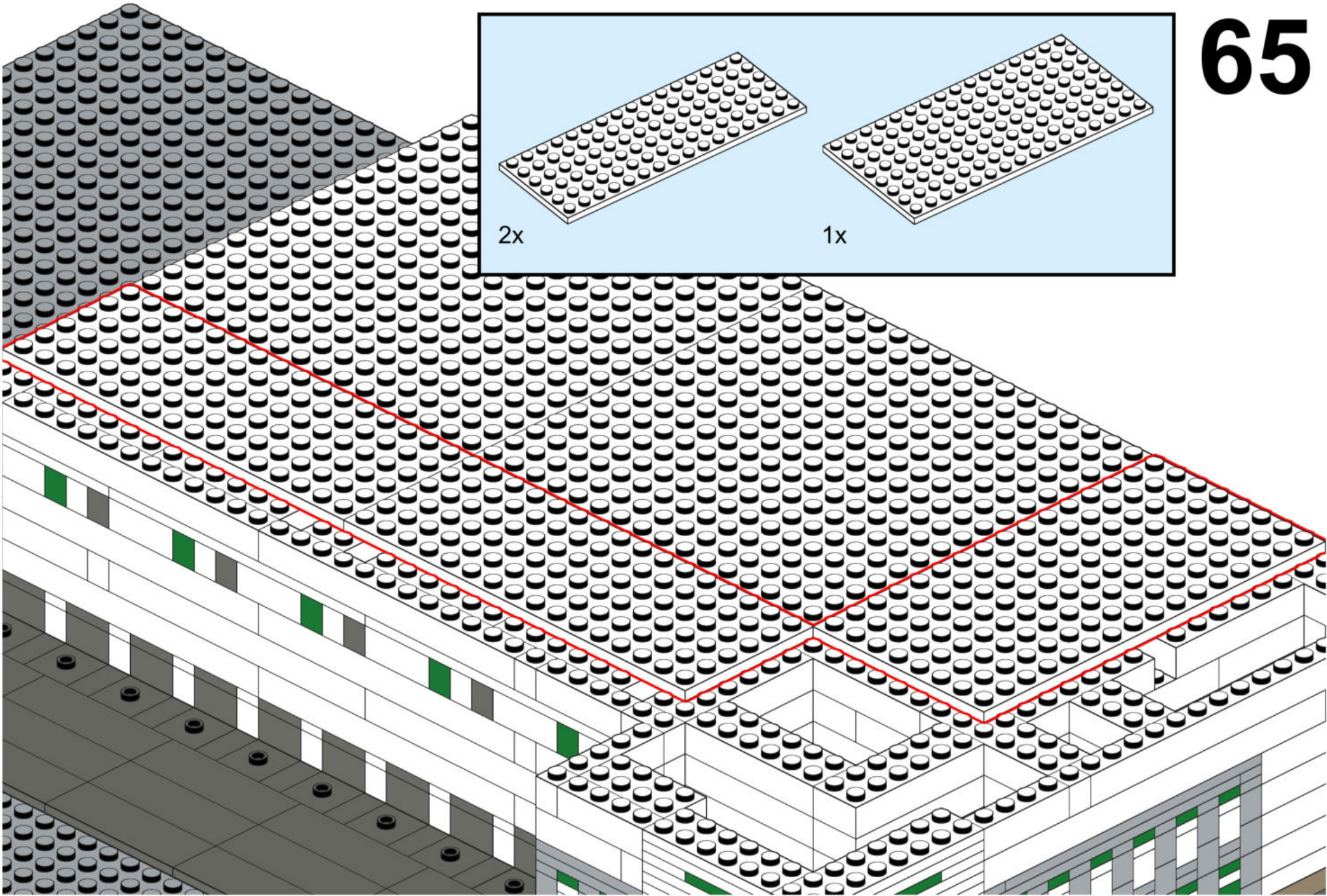
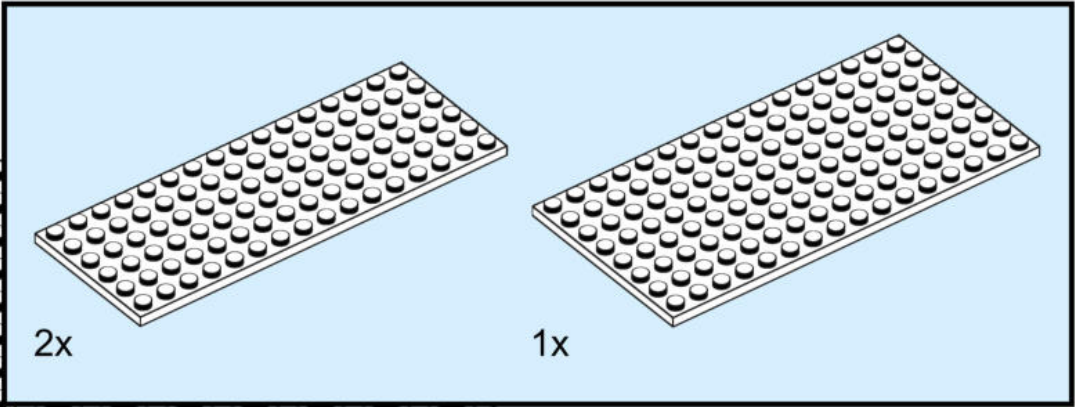




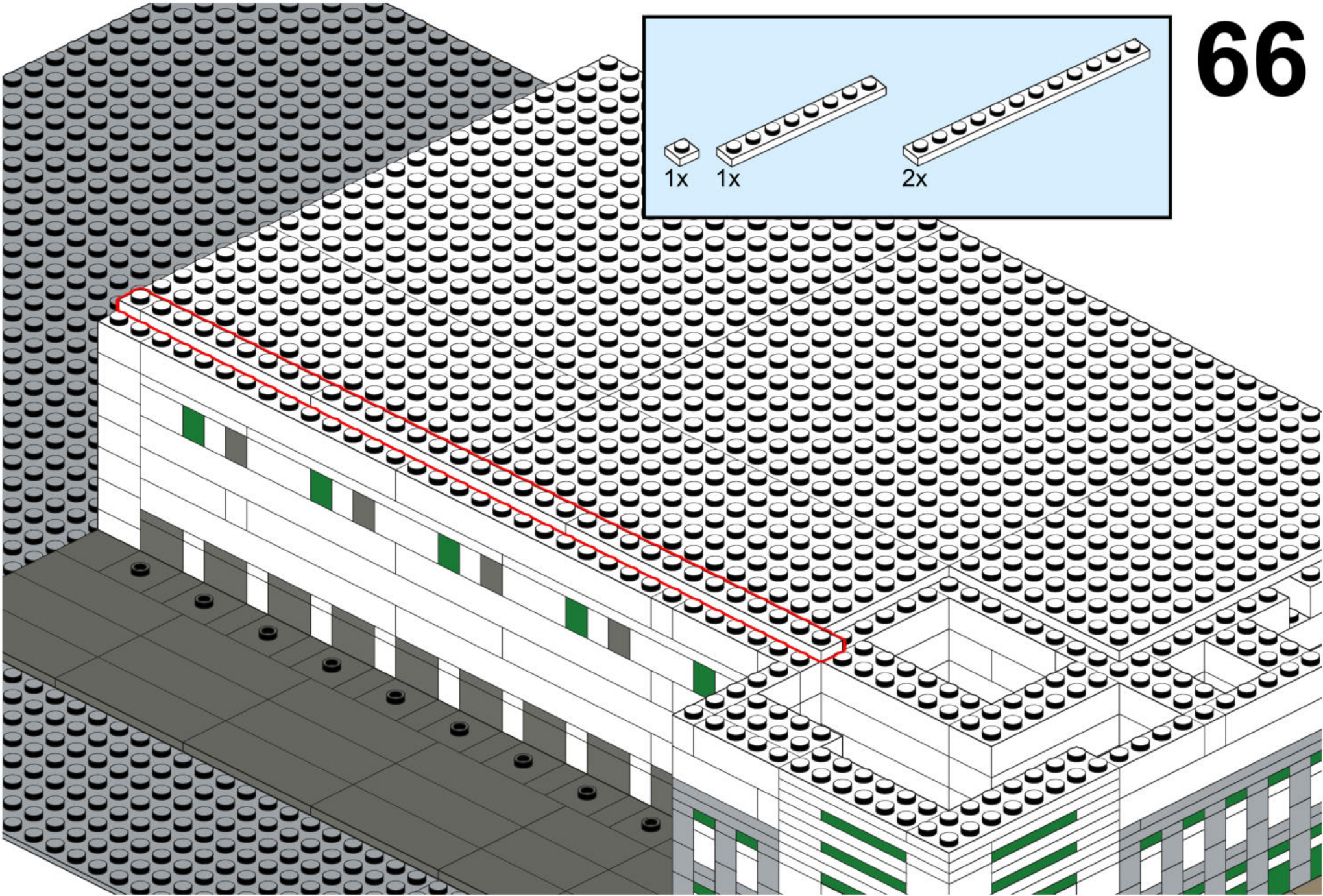
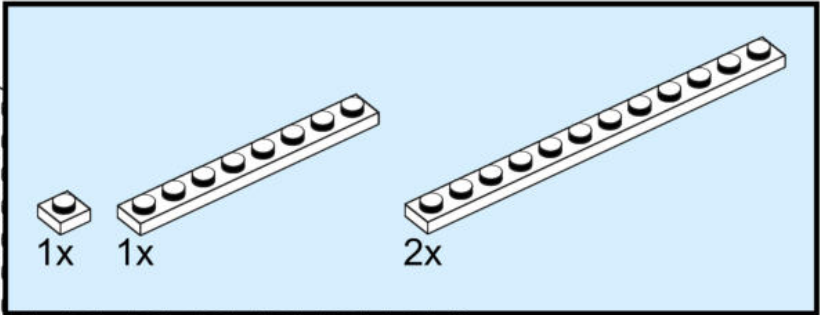


64

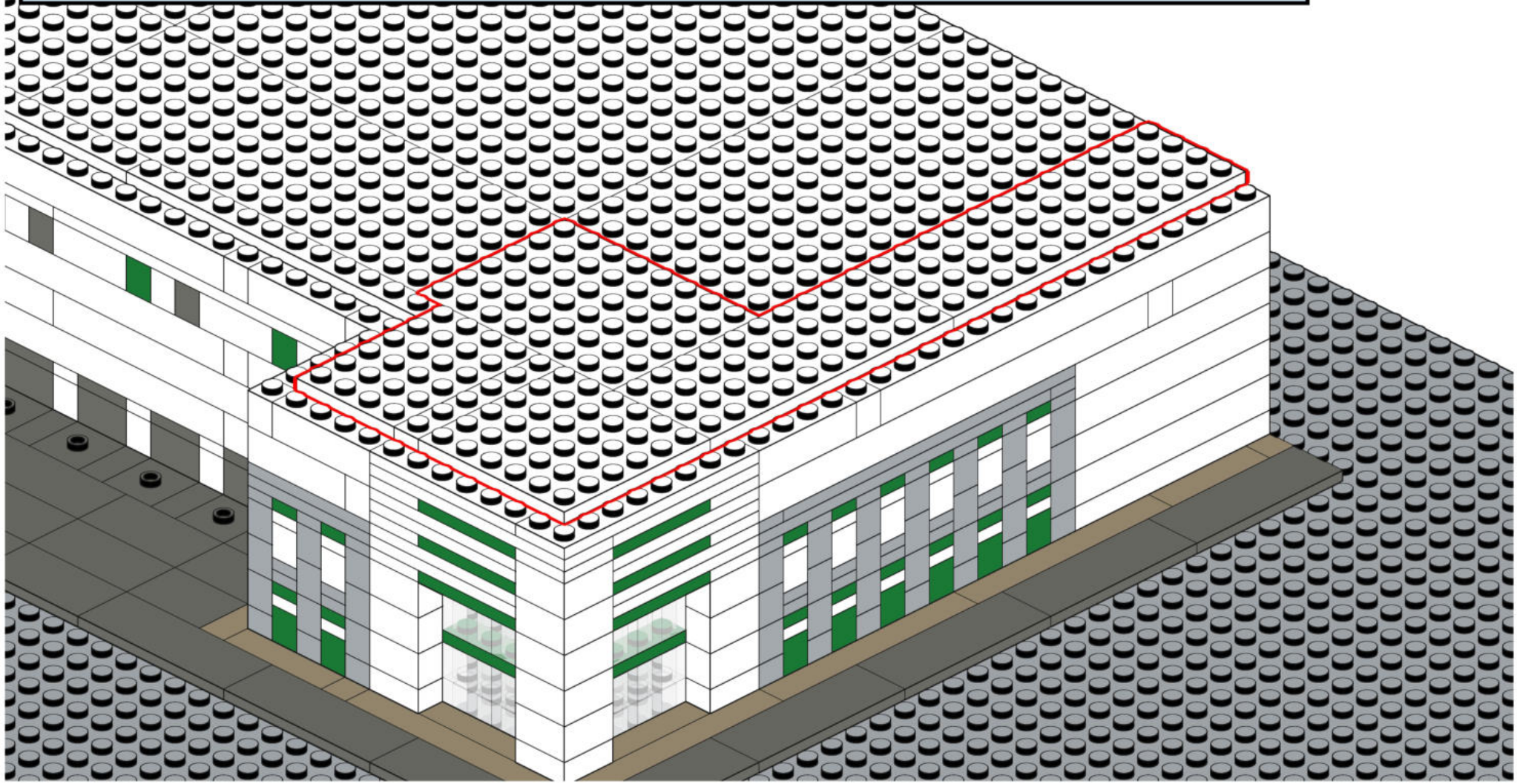
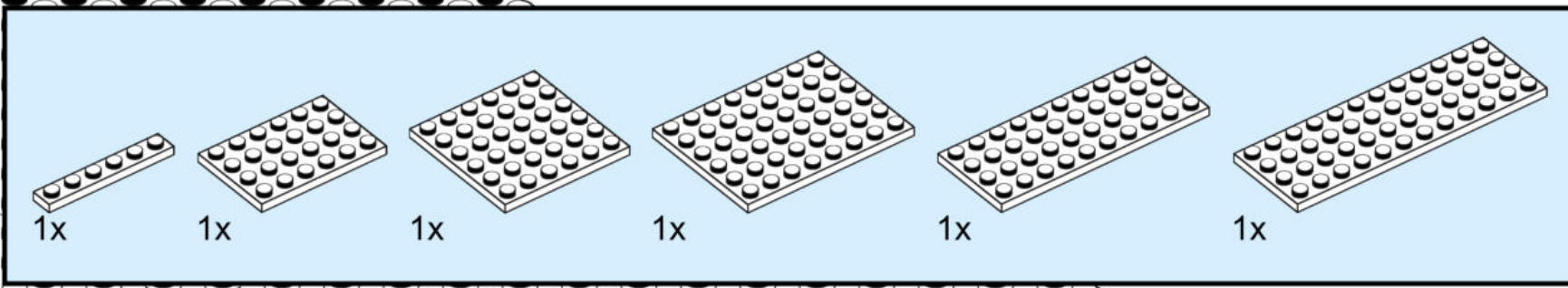




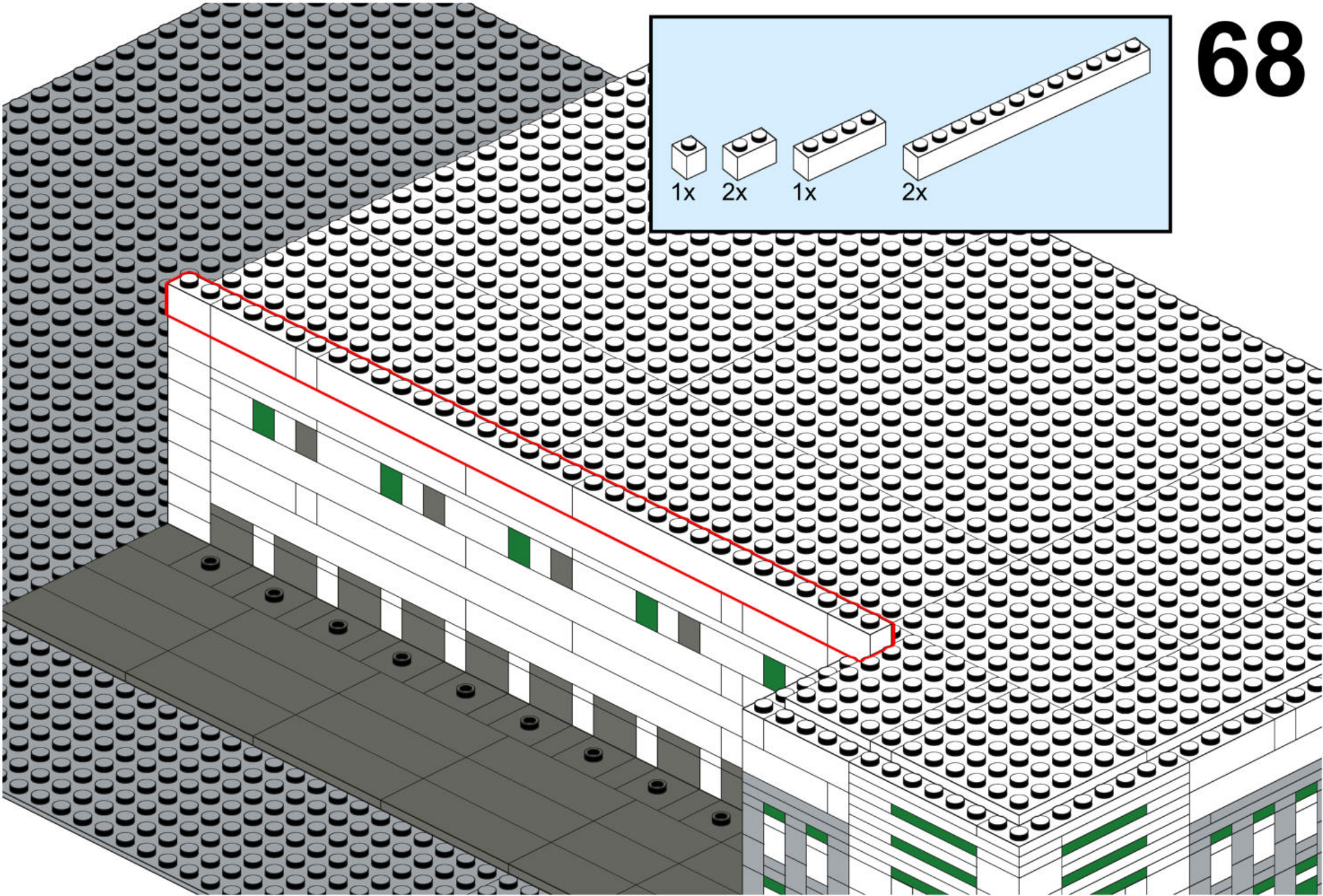
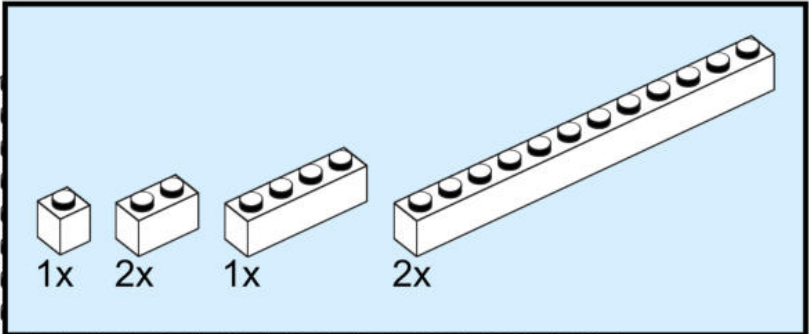
# 66



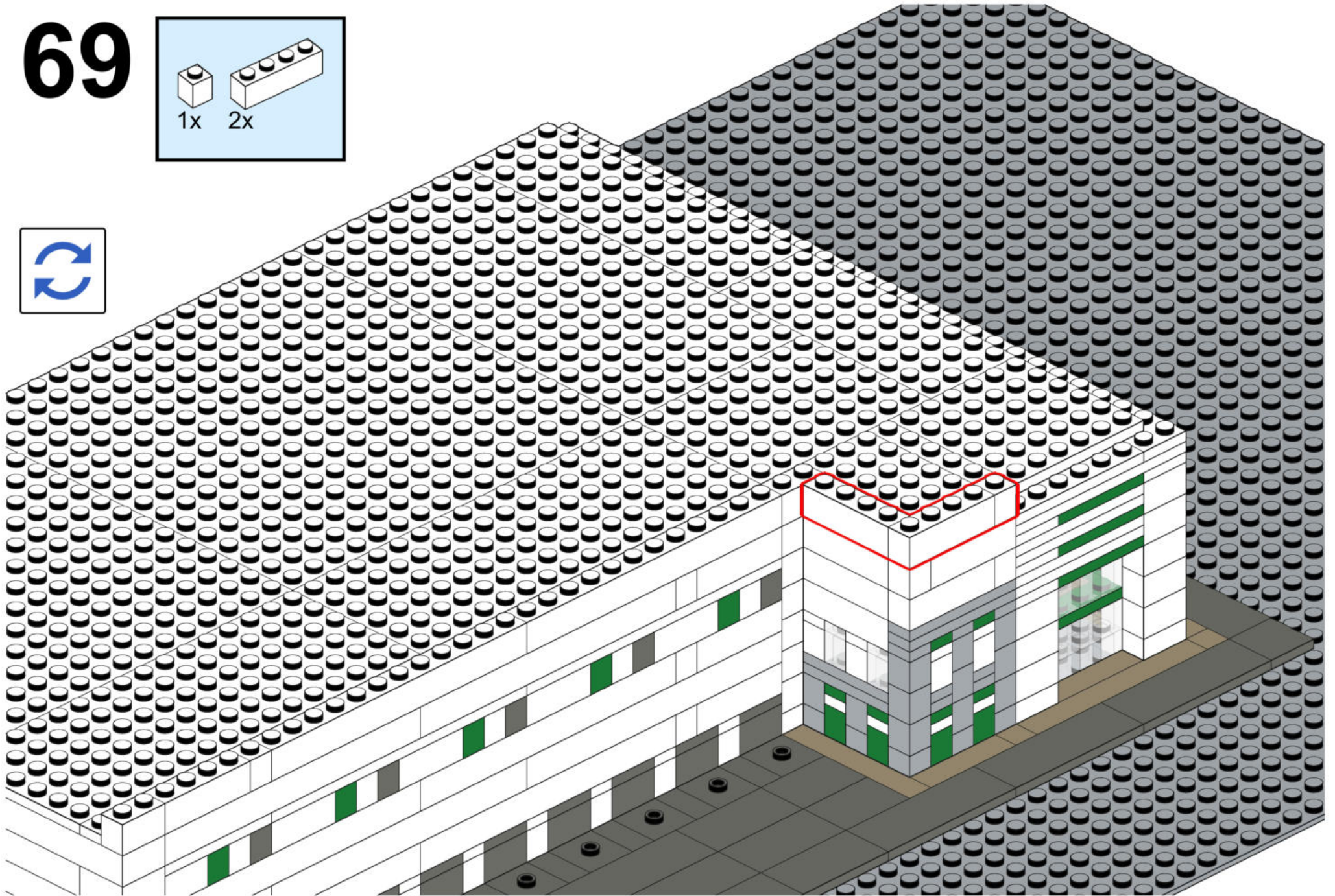
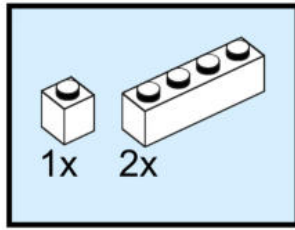
# 67



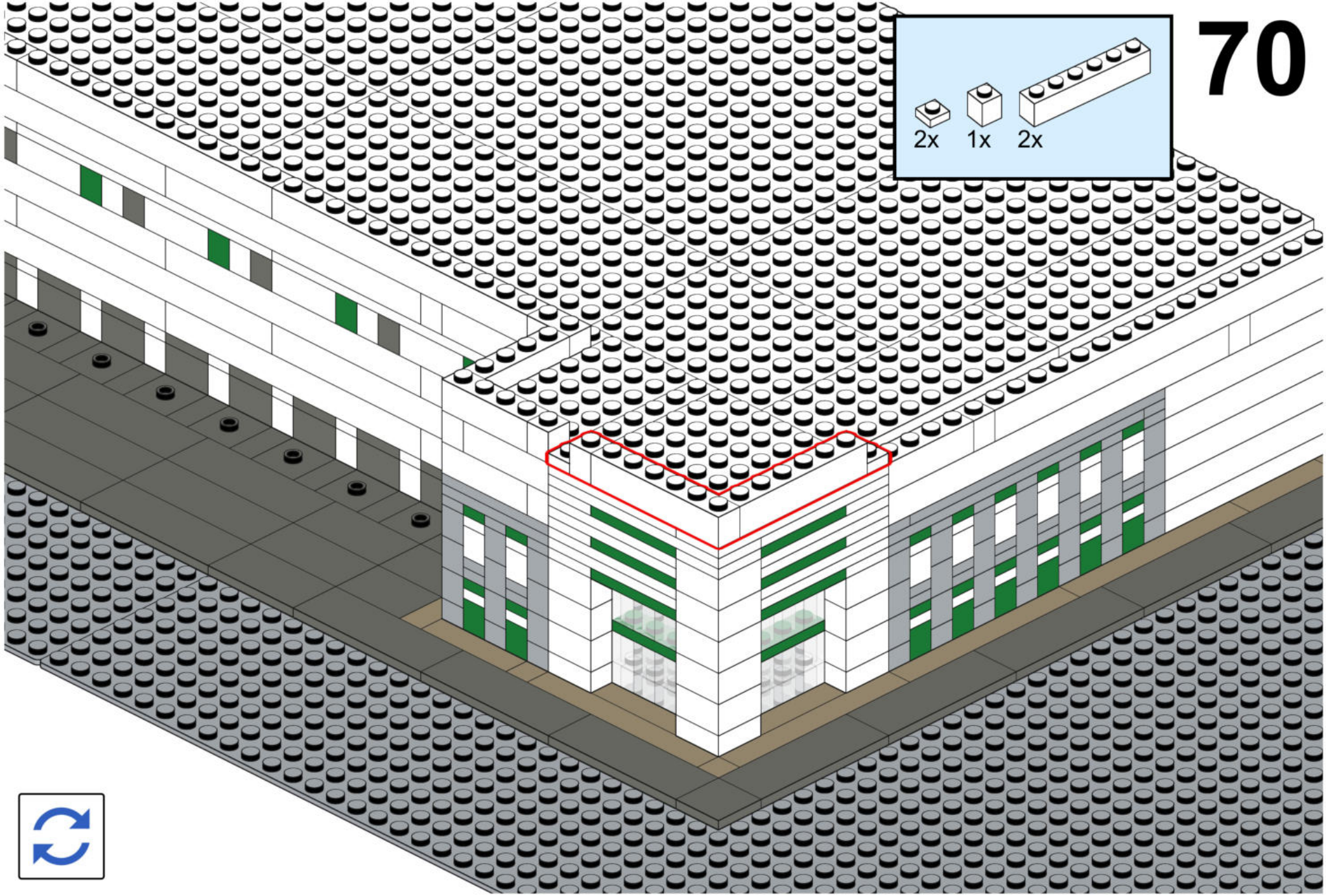
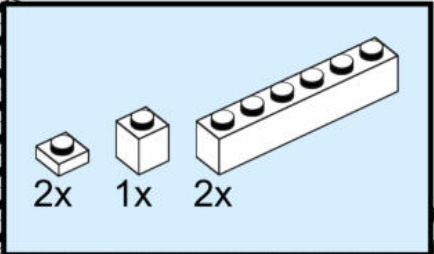
68

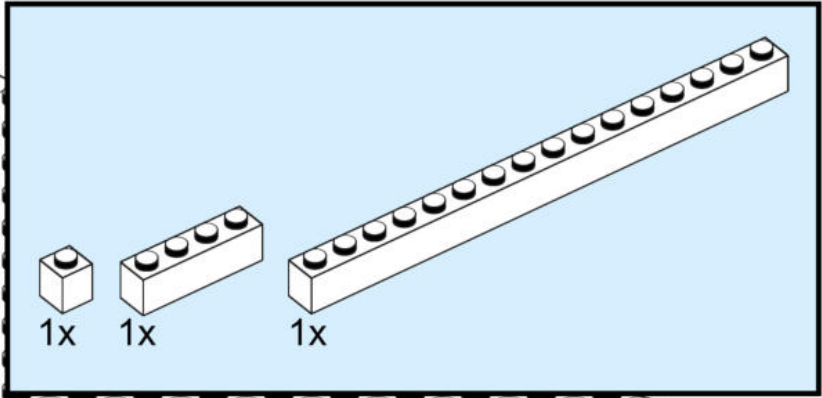


# 69

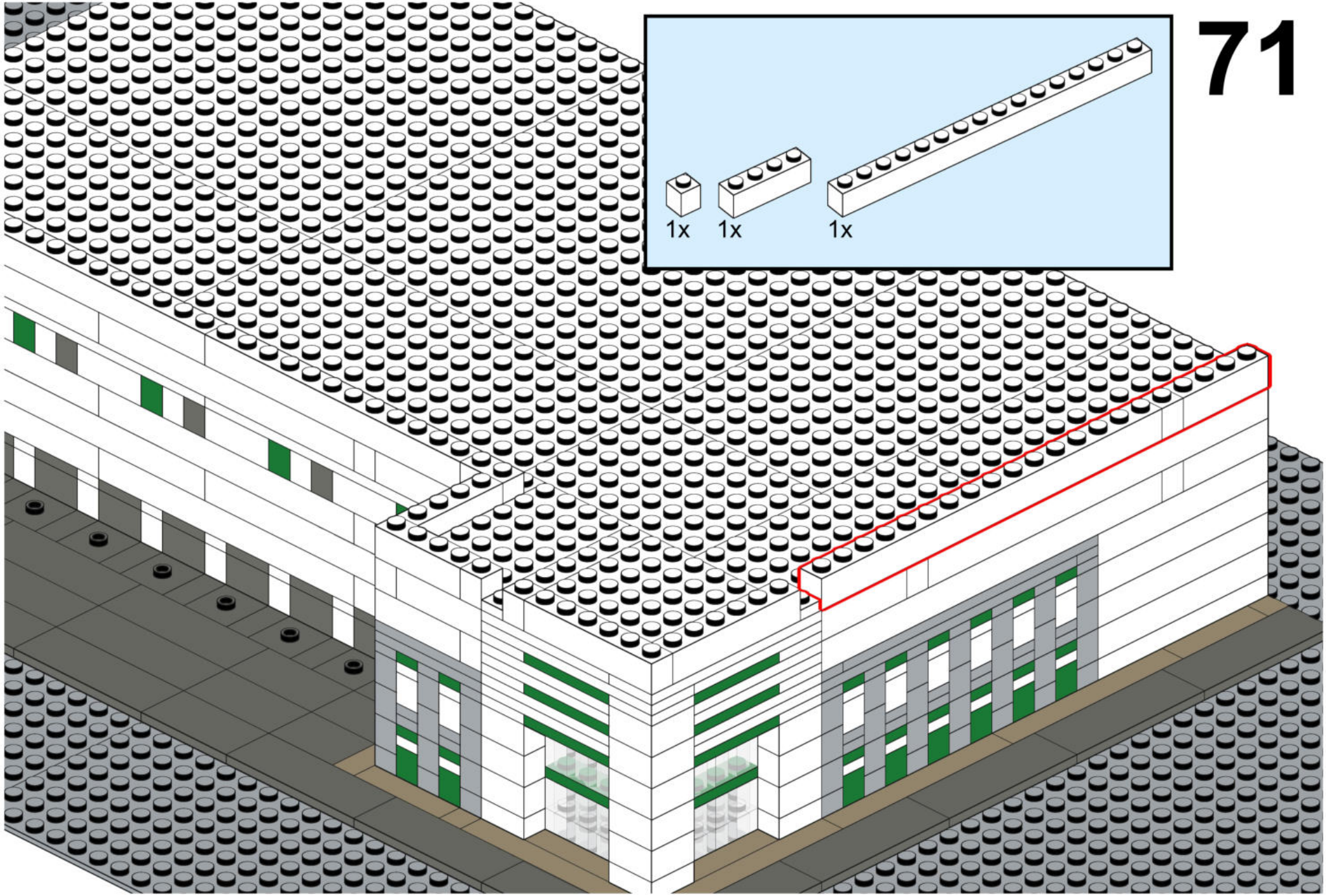


70

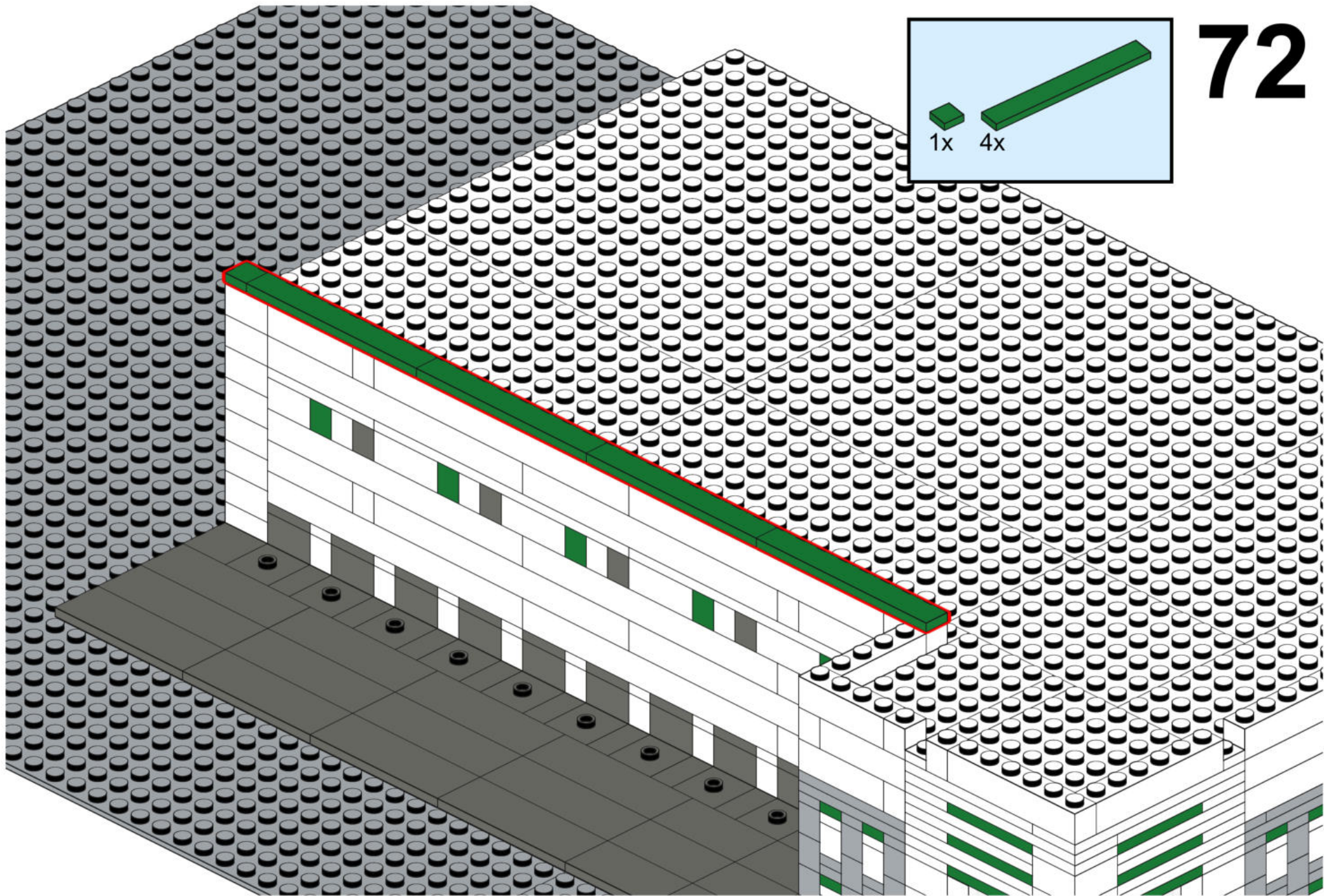


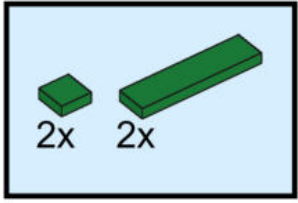
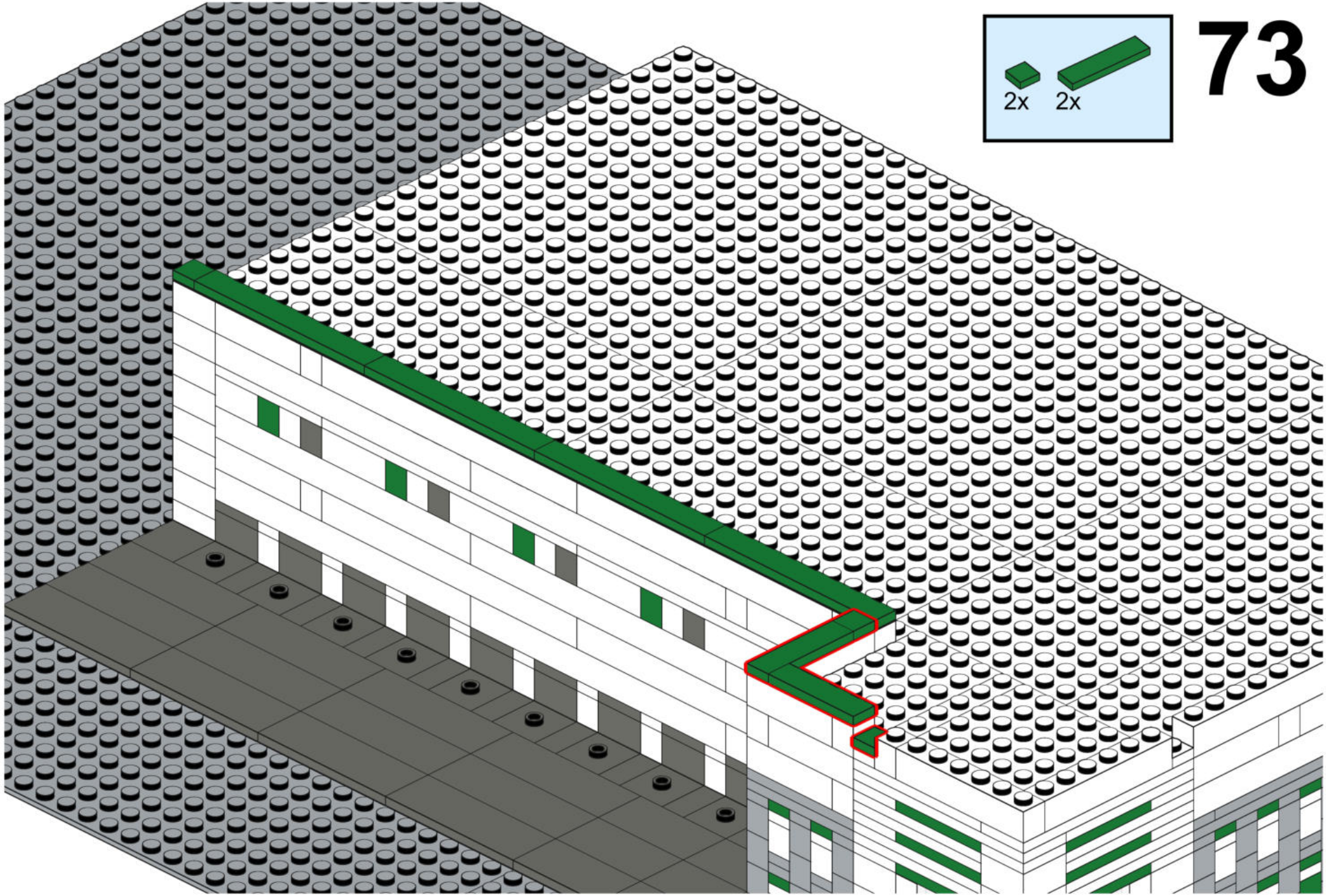


# 71

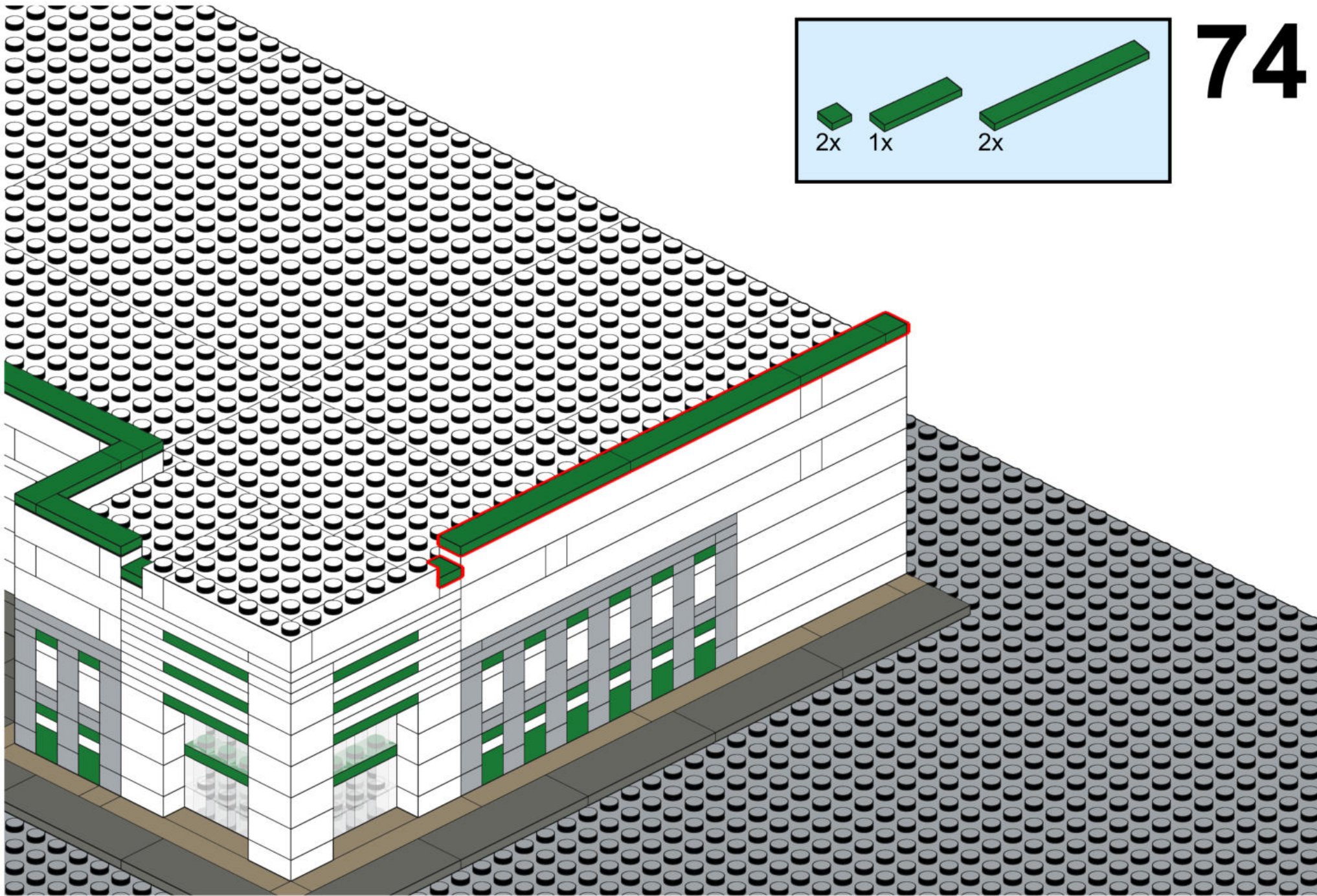






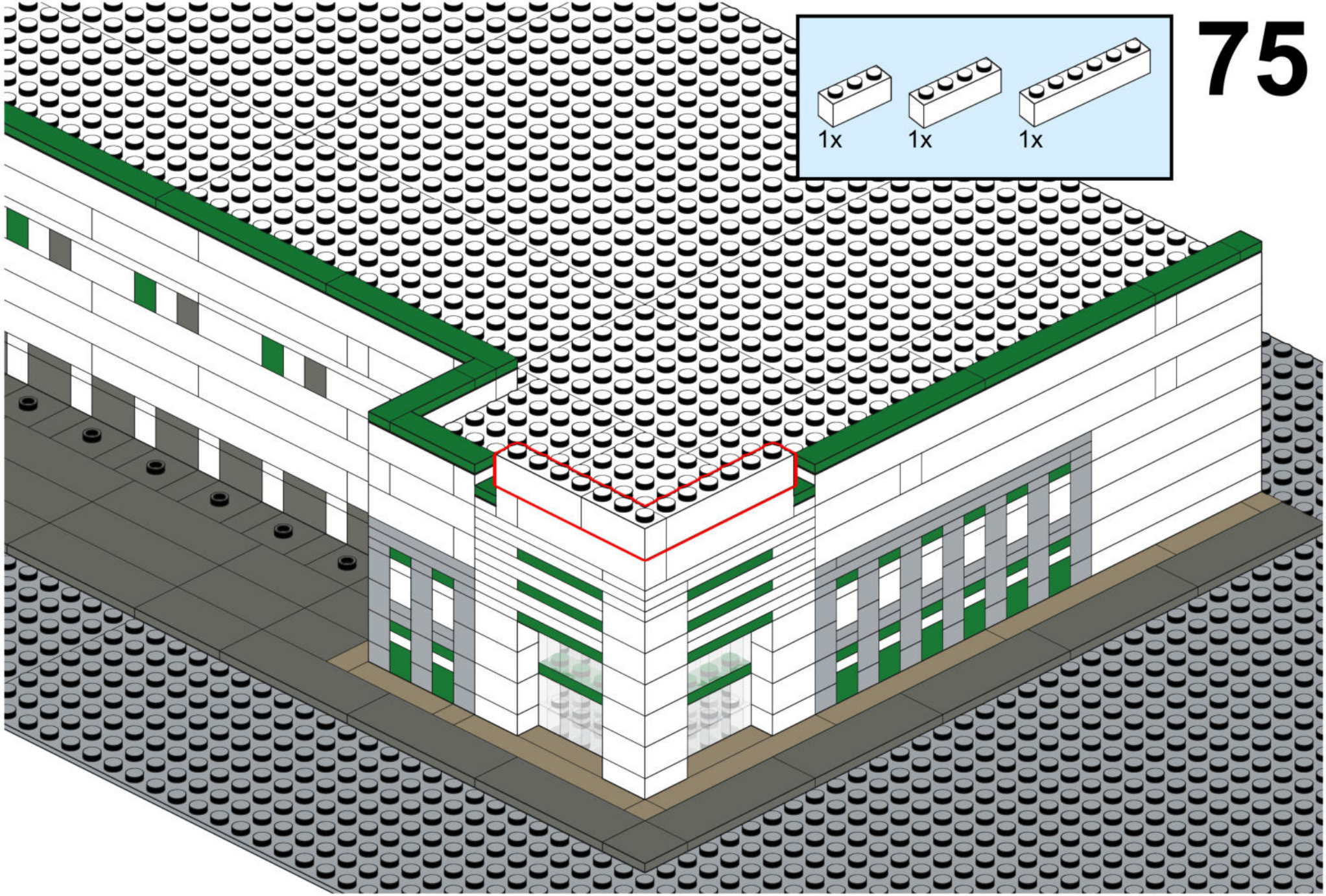
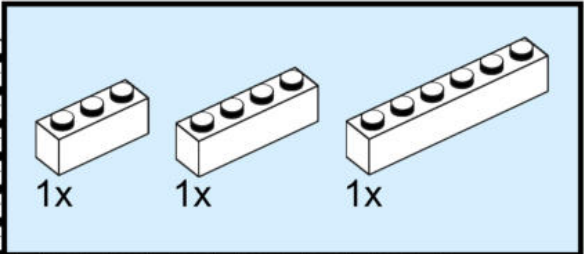


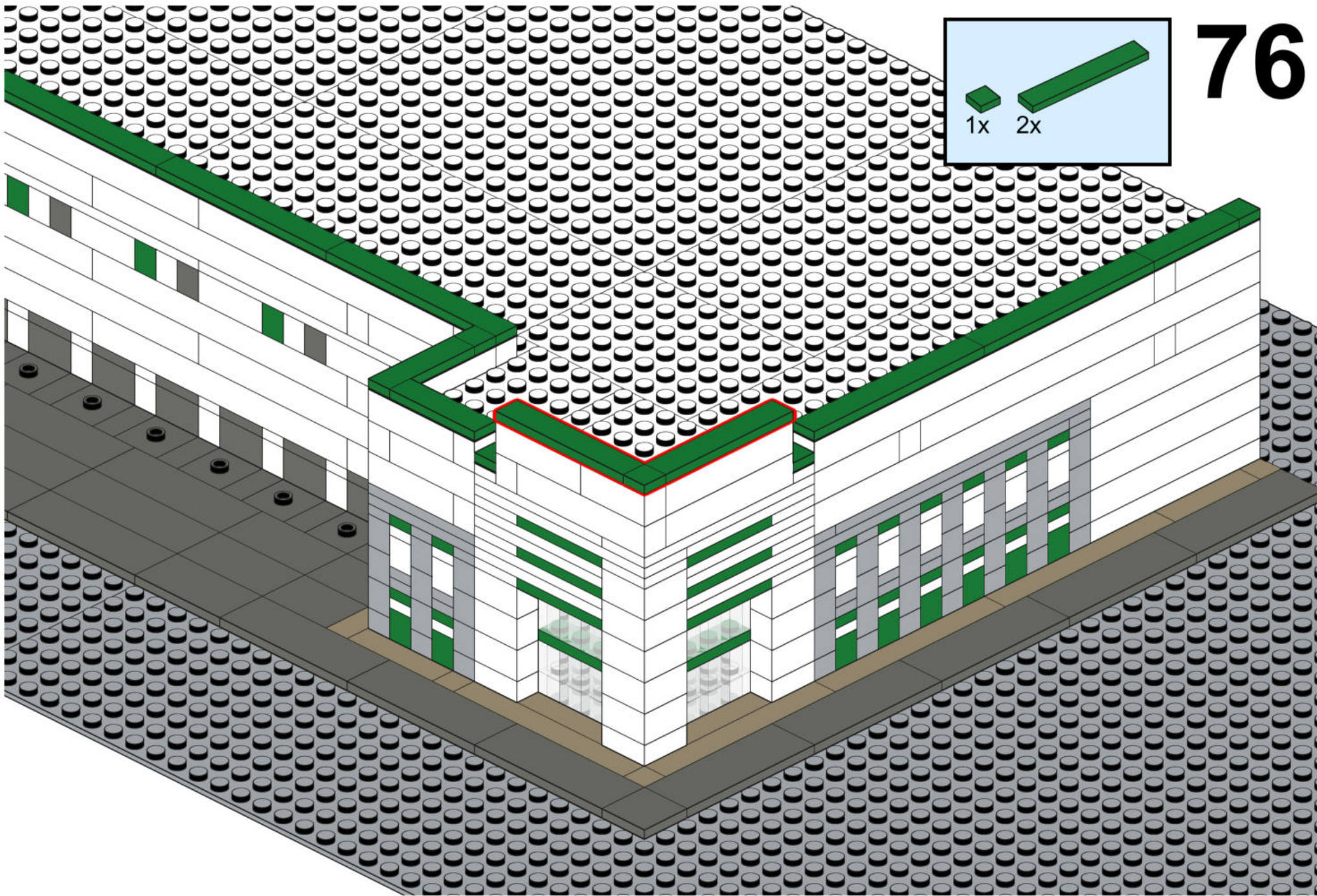
73



74

# 75

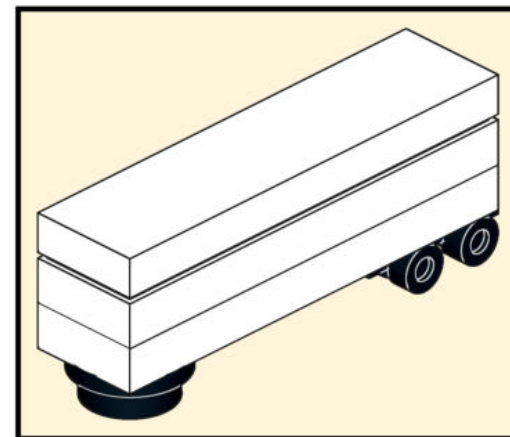
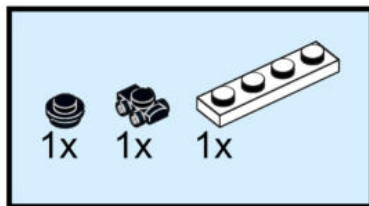




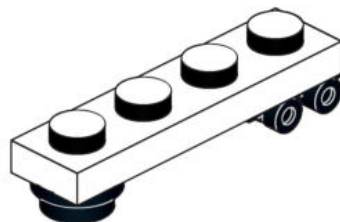
1x 2x

76

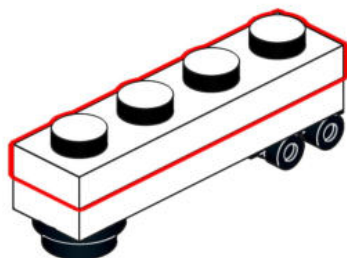
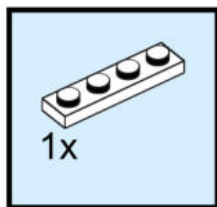
# 77



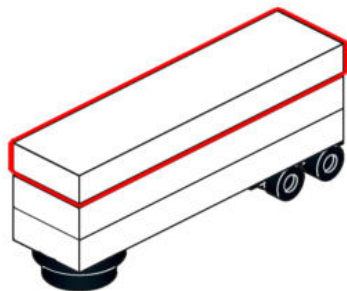
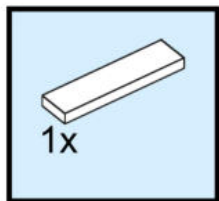
7x



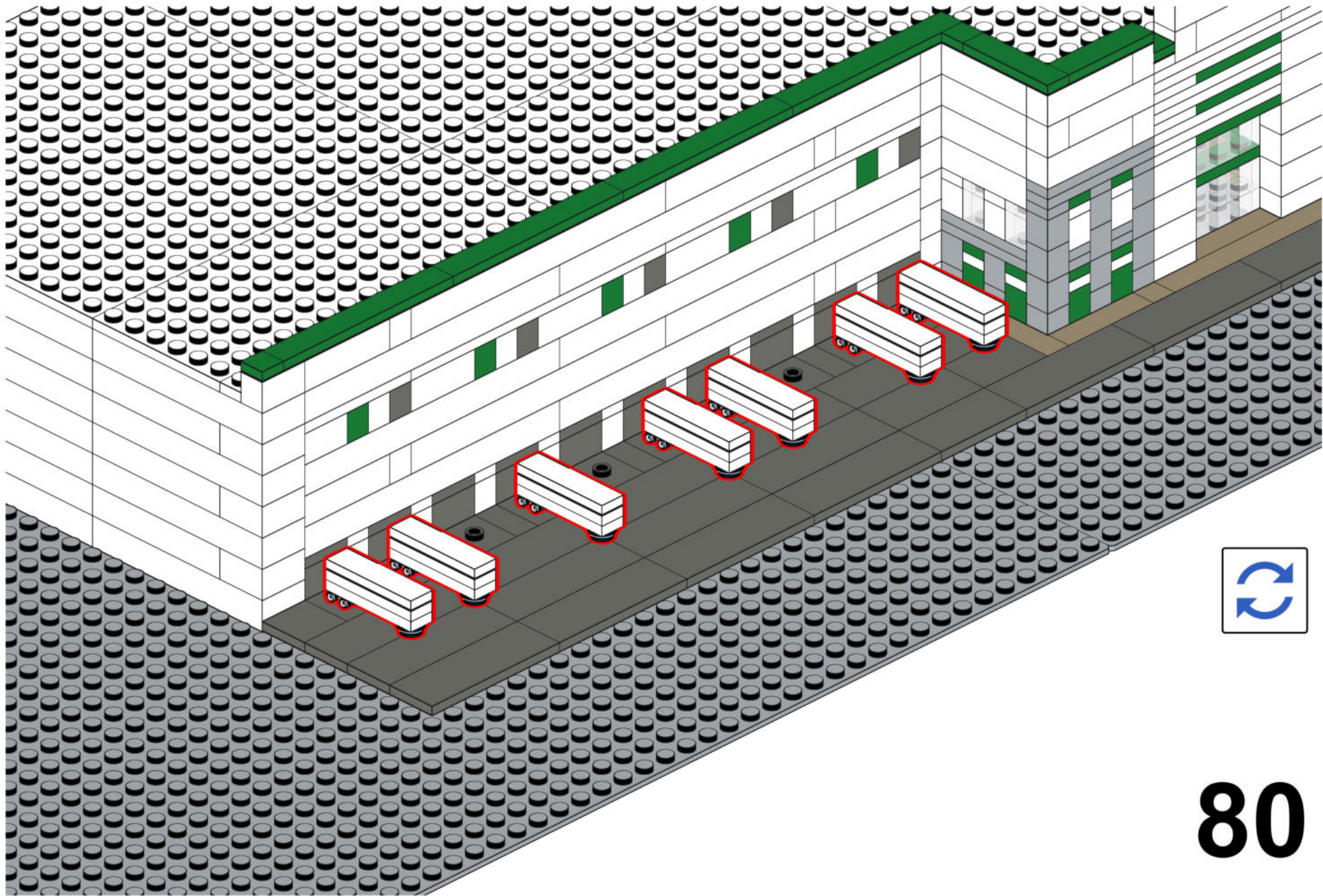
# 78



# 79

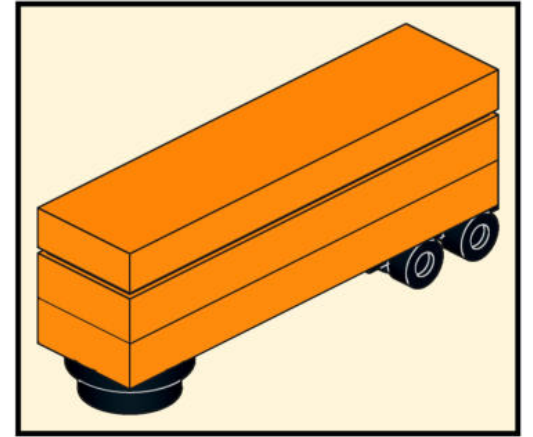
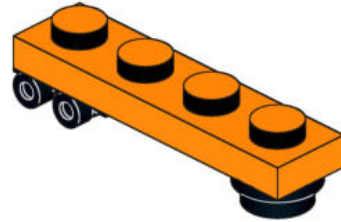
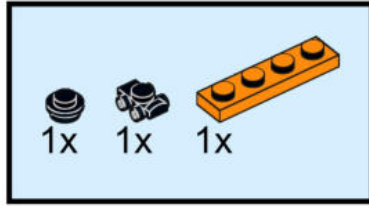






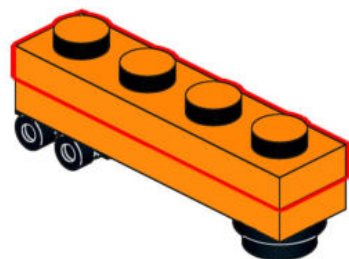
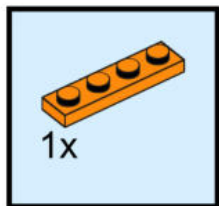
80

# 81



3x

82



83

