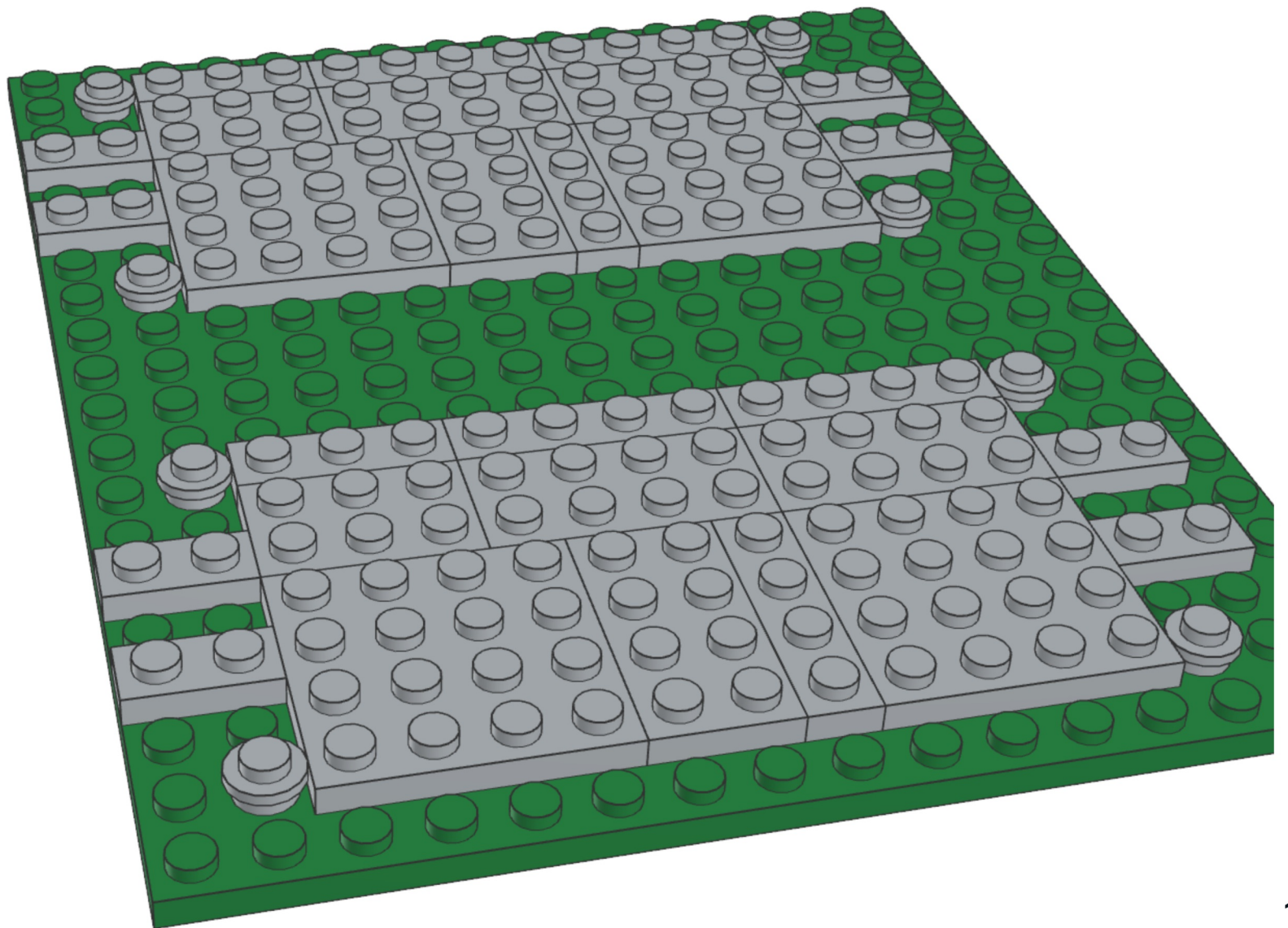
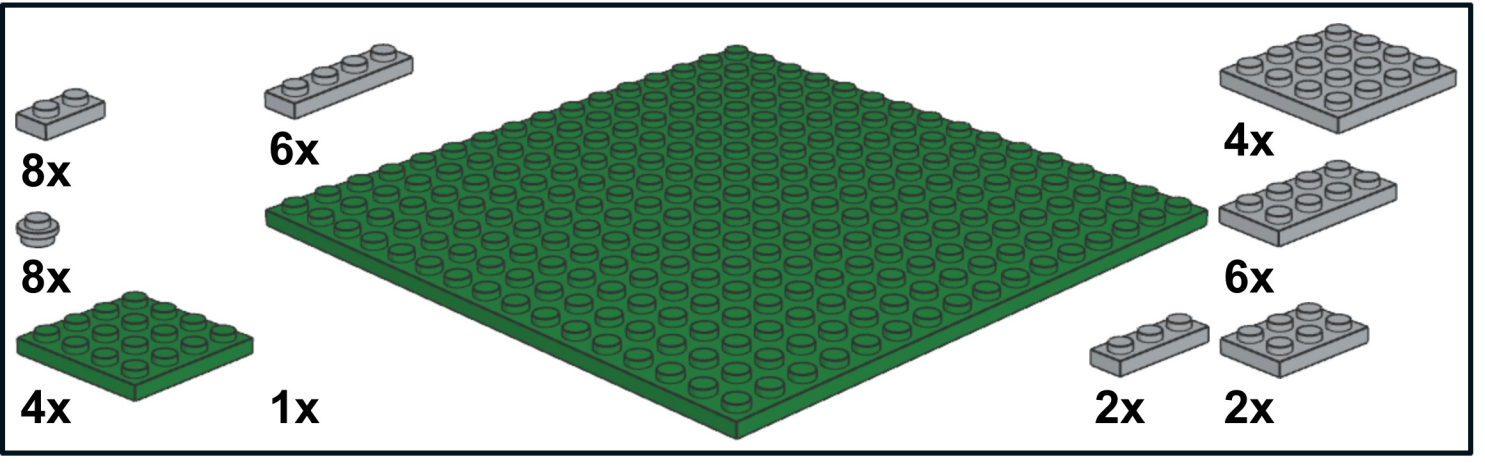


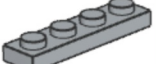


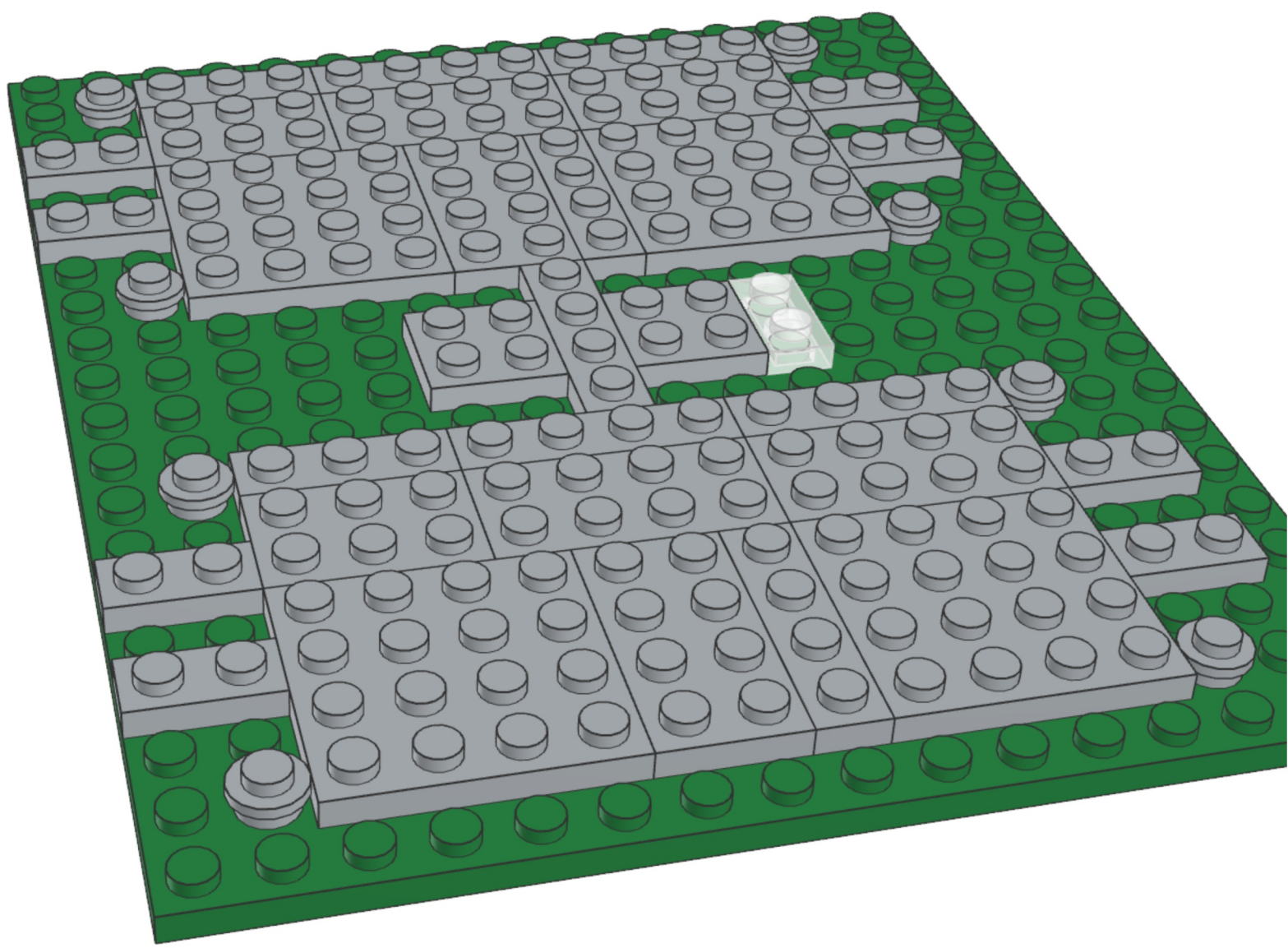
1



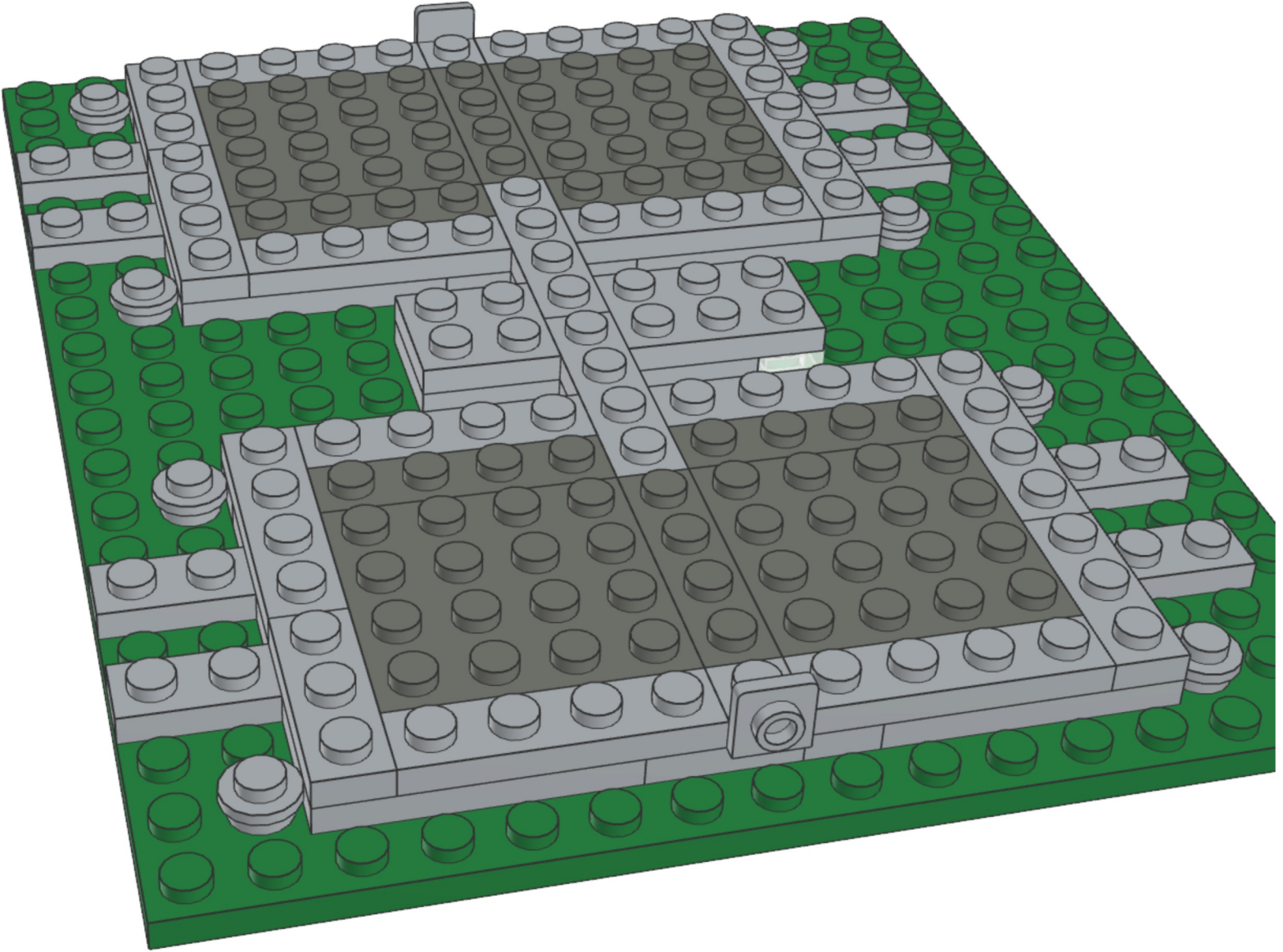
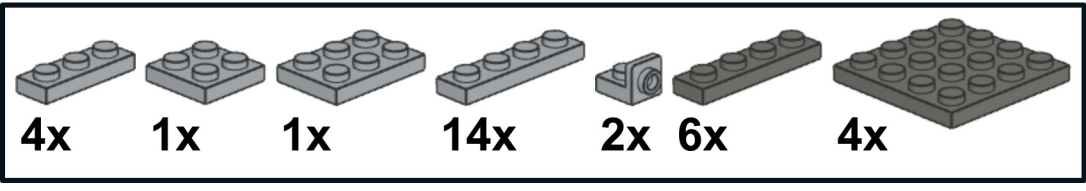
1

2

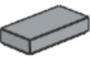



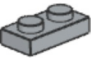



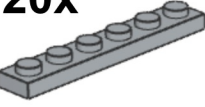
| | | |
|--|--|--|
|  |  |  |
| 1x | 2x | 1x |

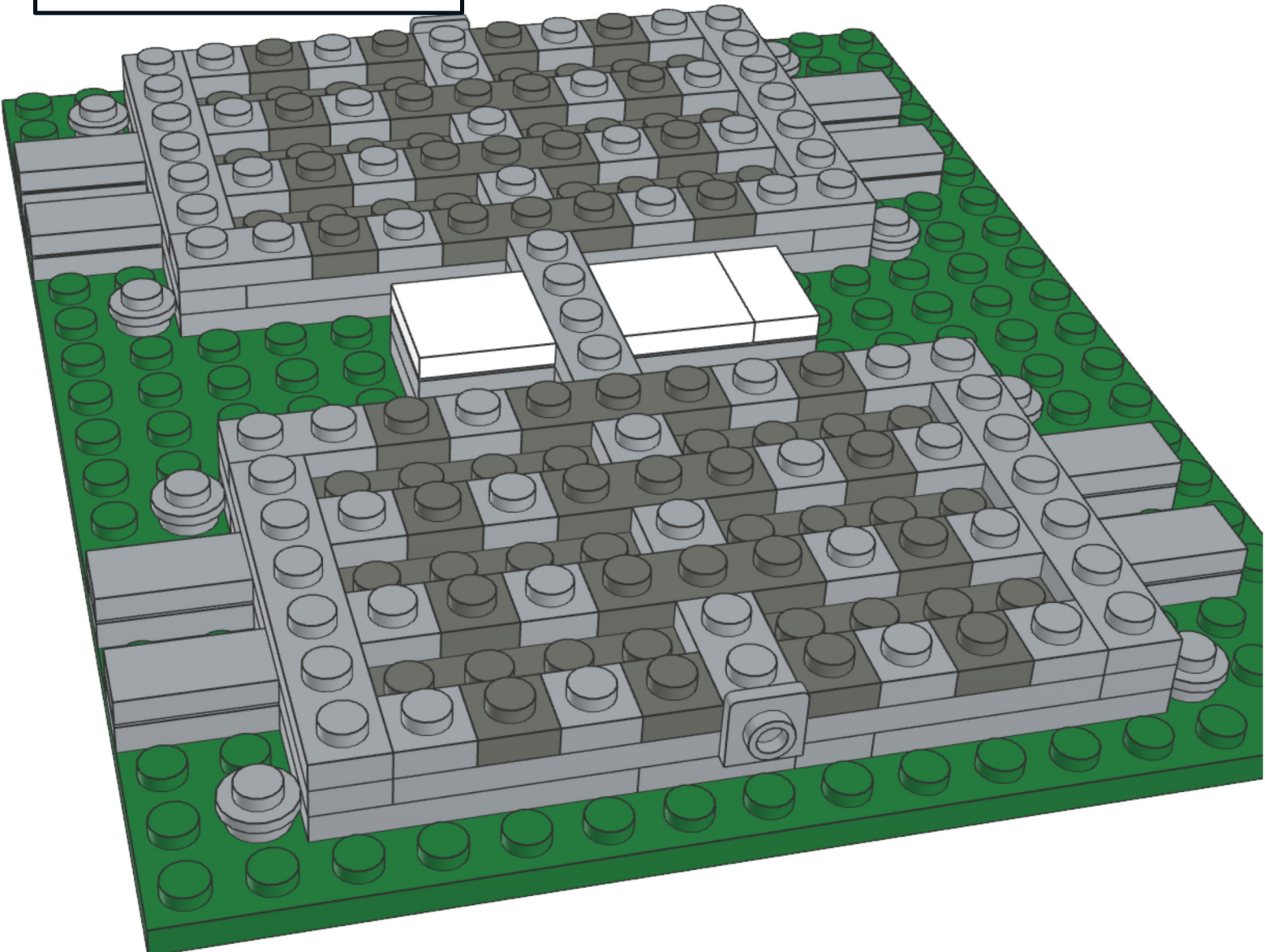


3

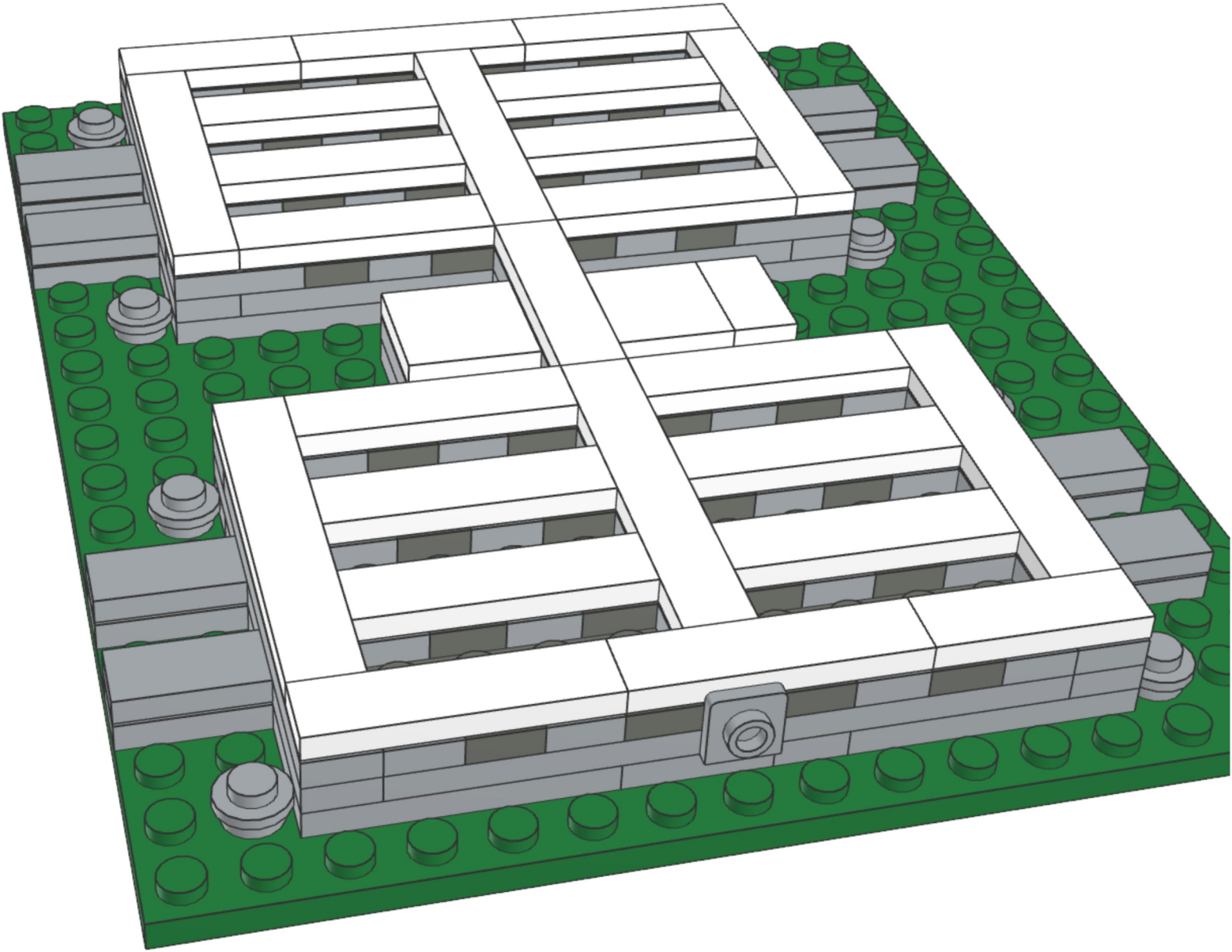
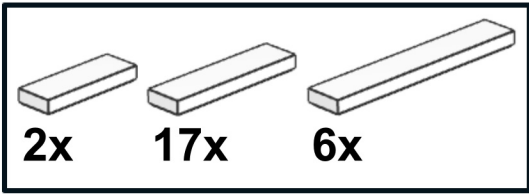


4

| | | |
|--|---|---|
|  |  |  |
| 8x | 1x | 6x |
|  |  |  |
| 2x | 6x | 20x |
|  |  |  |
| 1x | 32x | 4x |



5



6

